

RoughDeck® QC

Quick Clean Stainless Steel Lift Floor Scale



Standard RoughDeck QC is not designed for fork truck traffic or point loading. Please consult factory for pricing on RoughDeck QC special if your application involves either.

Specifications

End Load Capacity:

100% full scale at 2,000 lb and 5,000 lb
80% full scale at 10,000 lb

Cable Length:

20 ft (6.1 m) (for connecting junction box to indicator)

Remote Junction Box:

Stainless steel enclosure can be located up to 10 ft away from scale

Welding:

Stitch

Threaded Eyebolt Hole:

1/2-20NF located in center of deck for easy lifting

Warranty:

RoughDeck QC weldment five years, load cells two years, all other components one year

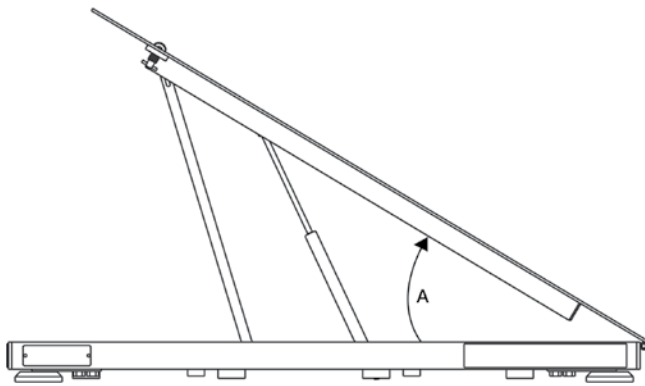
Approvals:

NTEP CC 92-001, Class III 5000d

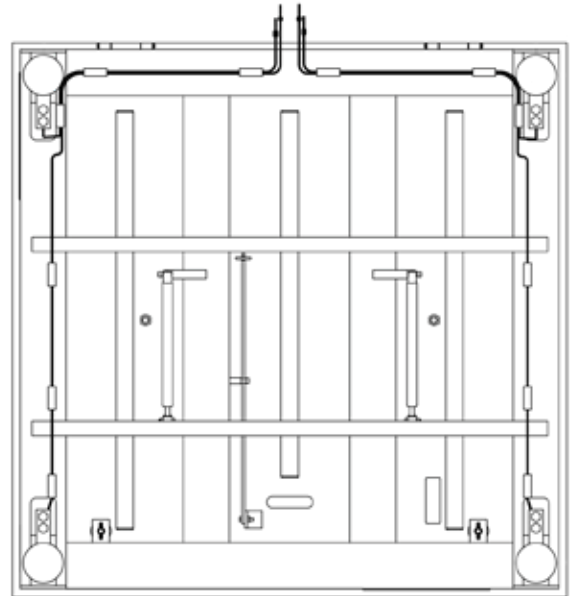
Standard Features

- Rugged washdown design
- Smooth, 304 stainless steel top deck
- Rigid 304 stainless steel tube frame
- Manual drop-in-place safety bar
- Four stainless steel, welded seal IP67, shear-beam load cells
- 20 ft of SURVIVOR® EL147HE hostile environment load cell cable
- Remote TuffSeal® JB4SS stainless steel NEMA Type 4X junction box
- 3/16 in thick smooth top plate
- Four adjustable stainless steel SUREFOOT™ support feet

APPROVALS



(Upright position)
(Hinges are located on "L" dimension)



Underdeck View

Dimensions		
	Size of Scale	Degrees
A	2.5 ft x 2.5 ft	37
	3 ft x 3 ft	30
	4 ft x 4 ft	30
	4 ft x 5 ft	30
	4 ft x 6 ft	26
	5 ft x 5 ft	25
	5 ft x 7 ft	24

Part Number/Price

Part #	Size (W x L x H)	Capacity	Est. Weight	Price
50402	2.5 ft x 2.5 ft x 3.5 in	2,000 lb (1,000 kg)	158 lb	\$4,650.00
50403	3 ft x 3 ft x 3.5 in	2,000 lb (1,000 kg)	208 lb	\$5,100.00
50404	4 ft x 4 ft x 3.5 in	2,000 lb (1,000 kg)	338 lb	\$5,750.00
50405	4 ft x 4 ft x 3.5 in	5,000 lb (2,500 kg)	338 lb	\$5,750.00
50406	4 ft x 4 ft x 4.5 in	10,000 lb (5,000 kg)	447 lb	\$6,200.00
50407	4 ft x 5 ft x 3.5 in	2,000 lb (1,000 kg)	406 lb	\$6,415.00
50408	4 ft x 5 ft x 4.5 in	5,000 lb (2,500 kg)	406 lb	\$6,415.00
50409	4 ft x 5 ft x 4.5 in	10,000 lb (5,000 kg)	540 lb	\$7,075.00
50410	4 ft x 6 ft x 4.5 in	2,000 lb (1,000 kg)	477 lb	\$7,075.00
50411	4 ft x 6 ft x 4.5 in	5,000 lb (2,500 kg)	477 lb	\$7,075.00
50412	4 ft x 6 ft x 5.5 in	10,000 lb (5,000 kg)	637 lb	\$7,750.00
50413	5 ft x 5 ft x 4.5 in	2,000 lb (1,000 kg)	478 lb	\$7,075.00
50414	5 ft x 5 ft x 4.5 in	5,000 lb (2,500 kg)	478 lb	\$7,075.00
50415	5 ft x 5 ft x 4.5 in	10,000 lb (5,000 kg)	637 lb	\$8,915.00
50416	5 ft x 7 ft x 5.5 in	2,000 lb (1,000 kg)	705 lb	\$9,610.00
50417	5 ft x 7 ft x 5.5 in	5,000 lb (2,500 kg)	705 lb	\$9,610.00
50418	5 ft x 7 ft x 5.5 in	10,000 lb (5,000 kg)	908 lb	\$10,710.00

Options/Accessories

Part #	Size (W x L x H)	Est. Weight	Price
28740	RoughDeck floor stand for indicator, 36.3 in high, stainless steel		\$310.00
N/A	Stainless steel diamond treadplate safety deck		Consult
N/A	Stainless steel deck with RL35082 hermetically sealed IP69K stainless steel FM approved load cells and hardware		+\$300.00 list price add-on
18778	Floor anchor plates, stainless steel (set of two)		\$32.00
Access Ramps (Diamond Treadplate Standard) (W x L x H)			
69193	2.5 ft x 4.0 ft x 3.5 in (works with PN 50402)	152 lb	\$1,335.00
69194	3.0 ft x 4.0 ft x 3.5 in (works with PN 50403)	177 lb	\$1,335.00
69195	4.0 ft x 4.0 ft x 3.5 in (works with PN 50404, 50405 and 50407)	224 lb	\$1,855.00
69217	4.0 ft x 4.0 ft x 4.5 in (works with PN 50406, 50408, 50410 and 50411)	234 lb	\$1,875.00
69218	4.0 ft x 4.0 ft x 4.5 in (works with PN 50409)	234 lb	\$1,875.00
69222	4.0 ft x 5.0 ft x 5.5 in (works with PN 50412)	330 lb	\$2,420.00
69219	5.0 ft x 4.0 ft x 4.5 in (works with PN 50413 and 50414)	272 lb	\$2,285.00
69220	5.0 ft x 4.0 ft x 4.5 in (works with PN 50415)	272 lb	\$2,285.00
69223	5.0 ft x 5.0 ft x 5.5 in (works with PN 50416, 50417 and 50418)	380 lb	\$2,995.00
Pit Frames (W x L x D)			
64768	2.5 ft x 2.5 ft x 4 in (works with PN 50402)	89 lb	\$1,035.00
64769	3.0 ft x 3.0 ft x 4 in (works with PN 50403)	102 lb	\$1,035.00
64770	4.0 ft x 4.0 ft x 4 in (works with PN 50404 and 50405)	127 lb	\$1,335.00
64771	4.0 ft x 4.0 ft x 5 in (works with PN 50406)	158 lb	\$1,535.00
64772	4.0 ft x 5.0 ft x 4 in (works with PN 50407)	140 lb	\$1,535.00
64773	4.0 ft x 5.0 ft x 5 in (works with PN 50408)	175 lb	\$1,715.00
64774	4.0 ft x 5.0 ft x 5 in (works with PN 50409)	175 lb	\$1,715.00
64775	4.0 ft x 6.0 ft x 5 in (works with PN 50410 and 50411)	191 lb	\$1,875.00
64776	4.0 ft x 6.0 ft x 6 in (works with PN 50412)	225 lb	\$1,975.00
64777	5.0 ft x 5.0 ft x 5 in (works with PN 50413 and 50414)	191 lb	\$1,875.00
64778	5.0 ft x 5.0 ft x 5 in (works with PN 50415)	191 lb	\$1,875.00
64779	5.0 ft x 7.0 ft x 6 in (works with PN 50416, 50417 and 50418)	270 lb	\$2,215.00