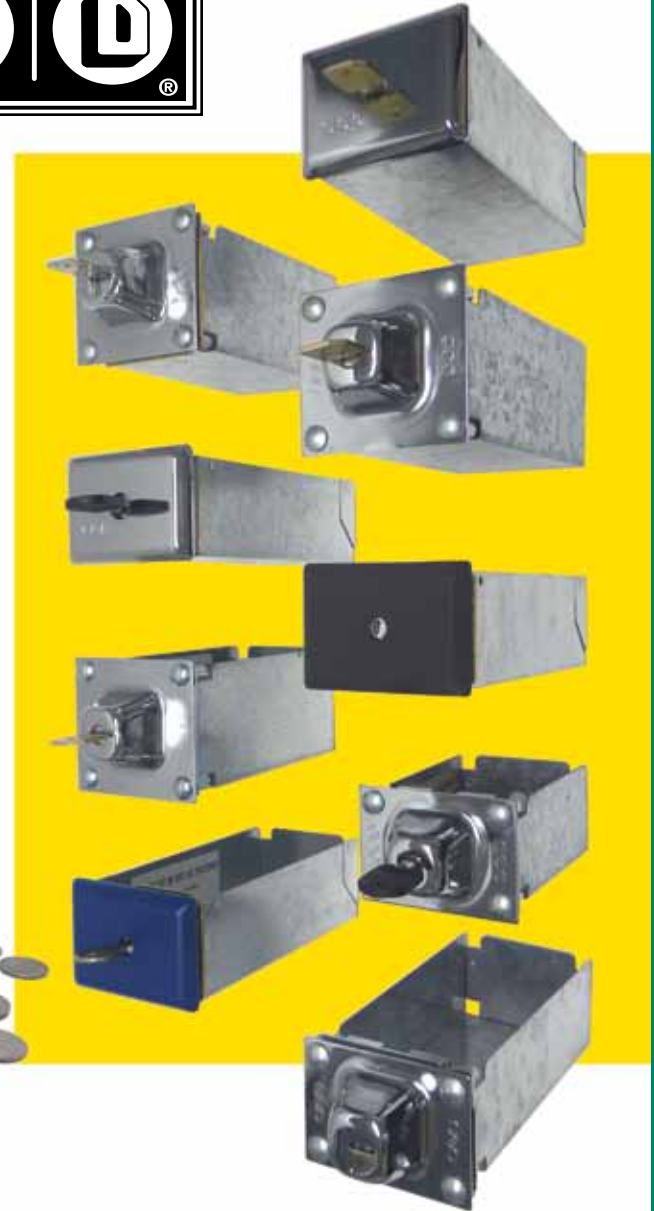
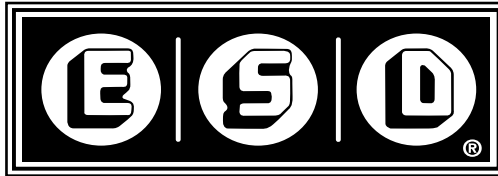


CONFIDENTIAL
ESD 2017 DISTRIBUTOR CATALOG
COIN SLIDES, MONEYBOXES & ACCESSORIES



CALL TOLL FREE, USA and Canada 1-800-523-1510 • Fax 1-800-548-1638
270 Commerce Drive, Fort Washington, PA 19034
(215)628-0860 Fax (215)643-4623
Find us on the web @ www.esdcoin.com



ESD COIN SLIDES, MONEYBOXES & ACCESSORIES SALES TERMS AND PRODUCT POLICY

Effective March 2017



270 Commerce Drive • Fort Washington, PA 19034
Phone #: (215) 628-0860

PRICE AND DELIVERY

- Prices are F.O.B. our factory
- Drop shipments and rush air shipments may be subject to additional handling charges. UPS Red Label, UPS Blue Label and Federal Express shipments will only be sent using customer's account numbers.
- **Minimum orders are \$50.00 by phone and \$30.00 by fax.**

TERMS

- Net 30 days to credit approved accounts. You may apply for open account on your letterhead or request a form from us giving your bank name and three trade references.
- In the absence of credit information, we will accept payments only by credit card or cash-in-advance. Appropriate freight charges will be added to these orders.
- Wire Transfer Instructions: Transfer US funds to Wells Fargo Bank, N.A. (RTN/ABA#**121000248**) for Equipment Systems and Devices Inc. Account number **2000030520312**, SWIFT/BIC code **WFBIUS6S**, Bank Address: 420 Montgomery San Francisco, CA 94104
Chips Participang **ABA 0509**
- All payments must be in U.S. funds.
- We accept Visa and MasterCard only at time of purchase for transactions under \$2500 with standard terms and pricing only.
- **There will be a \$50.00 charge back for all returned checks.**



RETURNED GOODS POLICY

- No product will be accepted as a return without prior written authorization or a Return Goods Authorization (RGA) number obtained from us.
- All claims must be made within 10 days of receipt of goods. Please advise order # or invoice # on which material was purchased.
- No deductions are allowable until a Credit Memorandum has been issued by ESD.

DISCLAIMER

Customers who purchase various ESD products do so with the knowledge that higher security products are available for an additional cost. Further, a person with ingenuity and specialized tools may have the ability to force, pick or otherwise defeat any lock or lock box when given sufficient access. Customers assume the full responsibility of protecting ESD products from attack or accept the risk of failing to do so.
ESD DISCLAIMS ANY WARRANTY, EXPRESSED OR IMPLIED, THAT ESD PRODUCT'S WILL WITHSTAND ANY GIVEN ATTACK AND ESD ASSUMES NO LIABILITY FOR ANY RESULTING LOSS OR DAMAGE.

Although ESD makes every effort to ensure all part number information and pricing is accurate, ESD is neither responsible nor liable for any typographical errors that may occur. If any error in pricing exists, ESD reserves the right to cancel an order.

**CONTACT OUR SALES DEPARTMENT AT ANY TIME
FOR ASSISTANCE IN PLACING YOUR ORDERS.**

**SPECIFICATIONS AND DESIGN FEATURES PRICE, TERMS, AND PRODUCT POLICY
ARE SUBJECT TO CHANGE WITHOUT NOTICE.**

**FOR YOUR CONVENIENCE IN USA & CANADA
CALL TOLL FREE 1-800-523-1510**

FAX TOLL FREE, USA and Canada 1-800-548-1638

270 Commerce Drive, Fort Washington, PA 19034 (215)628-0860 Fax (215)643-4623

Find us on the web @ www.esdcoin.com



©ESD 2017



COIN SLIDES



CALL TOLL FREE, USA and Canada 1-800-523-1510 • Fax 1-800-548-1638
270 Commerce Drive, Fort Washington, PA 19034 (215)628-0860 Fax (215)643-4623
Find us on the web @ www.esdcoin.com©

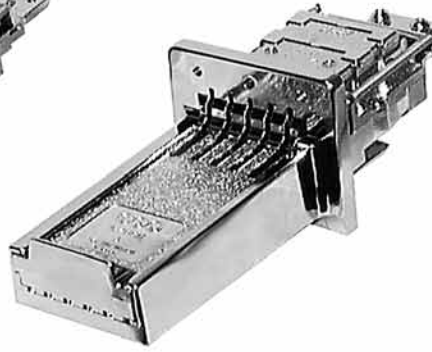
©ESD 2017

ESD TOKEN SLIDES

All Slides have Case Hardened Parts to Avoid Slamming



VERTICAL 4



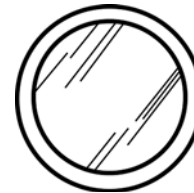
VERTICAL 5



VERTICAL 8

| |
|-----------------|
| MODEL |
| V4-(Token Size) |
| V5-(Token Size) |
| V8-(Token Size) |

| MODEL | TOKEN SIZES ACCEPTED | | | | |
|------------|----------------------|------|------|------|-------|
| VERTICAL 4 | .800 | .882 | .900 | DD | |
| VERTICAL 5 | .800 | .882 | .900 | .984 | 1" DD |
| VERTICAL 8 | .800 | .882 | .900 | .984 | 1" DD |



Round



"DD"

Available Sizes in Stock Include:

.800 .882 .900 .984 1" and "DD"

| |
|------------------------------------|
| TOKEN QUANTITIES UNDER 1000 |
| TOKEN QUANTITIES OVER 1000 |

* Minimum token order quantity is 100 tokens



CALL TOLL FREE, USA and Canada 1-800-523-1510 • Fax 1-800-548-1638
270 Commerce Drive, Fort Washington, PA 19034 (215)628-0860 Fax (215)643-4623

Find us on the web @ www.esdcoin.com

©ESD 2017

TOKETTE I&2



#1 black (bl)



#2 black (bl)

**TOKETTES
ITEM# 21075**

21075-1-Color

21075-2-Color

**MINIMUM ORDER 1,000
AVAILABLE IN INCREMENTS OF 1,000 ONLY
STOCK COLOR: Black**



CALL TOLL FREE, USA and Canada 1-800-523-1510 • Fax 1-800-548-1638
270 Commerce Drive, Fort Washington, PA 19034 (215)628-0860 Fax (215)643-4623
Find us on the web @ www.esdcoin.com

©ESD 2017

ESD SPECIALTY TOKEN SLIDE TOKEN & QUARTER SLIDE

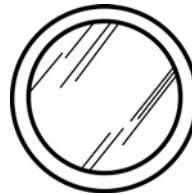
All Slides Have Case Hardened Parts To Resist Damage From Slamming



ESD SPECIALTY TOKEN SLIDE

| |
|--------------|
| MODEL |
| 71673 |

| MODEL | TOKEN SIZES ACCEPTED |
|--------------|-----------------------------|
| 71673 | .984 |



Round
Available Size in Stock Includes:
.984

* Minimum token order quantity is 100 tokens

Standard pack is 20 to a carton.
Prices are subject to change without notice.

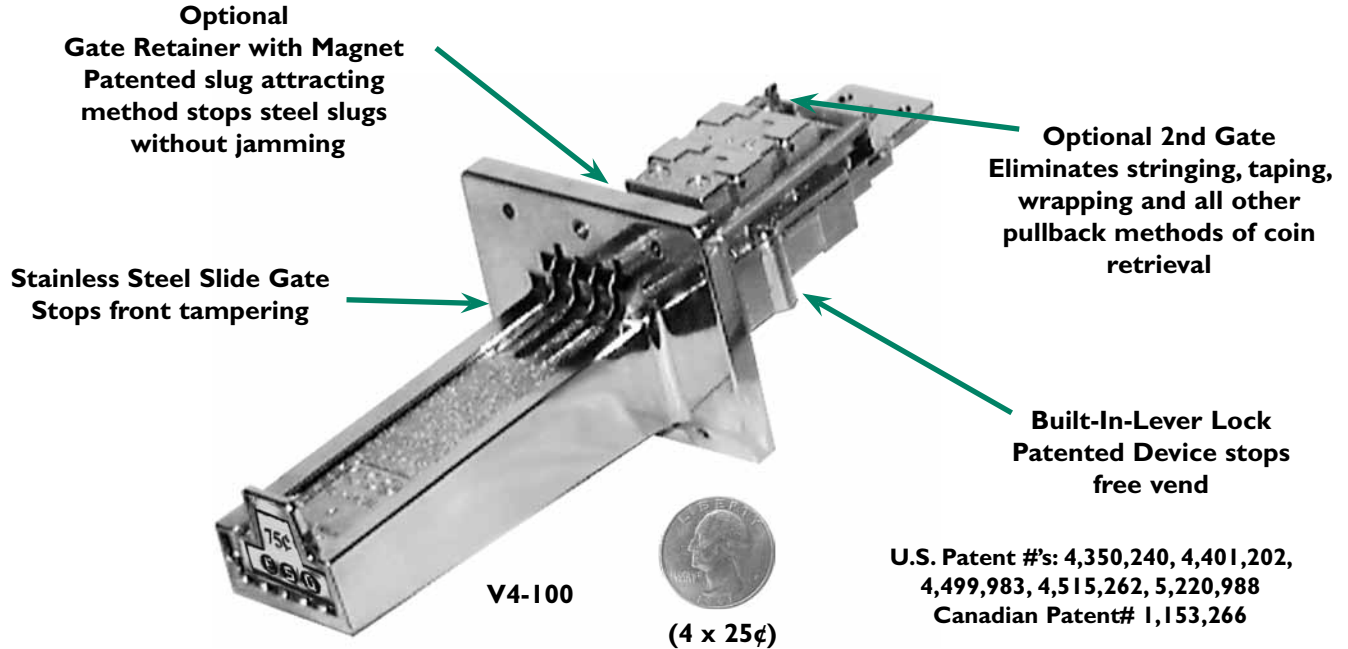


CALL TOLL FREE, USA and Canada 1-800-523-1510 • Fax 1-800-548-1638
270 Commerce Drive, Fort Washington, PA 19034 (215)628-0860 Fax (215)643-4623
Find us on the web @ www.esdcoin.com

ESD SLIDE VERTICAL 4[®]

WITH OPTIONAL SECURITY FEATURES

All Slides Have Case Hardened Parts To Resist Damage From Slamming



FEATURES:

- Variable price settings: 00¢ - 25¢ - 50¢ - 75¢ - \$1.00
- Vertical coin acceptance
- All steel security gate with solid metal bridge
- One step price changing - UP or DOWN in seconds without disassembly
- Exclusive dual return springs for smoother operation
- Fits all existing extensions and machines
- Total UP and DOWN multiple price flexibility for price increases, price decreases or price features. Factory pre-set pricing to suit needs
- Initial vend pricing is pre-set at factory as specified by customer

| |
|----------|
| MODEL |
| V4-100* |
| V4-100GM |

Standard pack is 20 to a carton.
Prices are subject to change without notice.



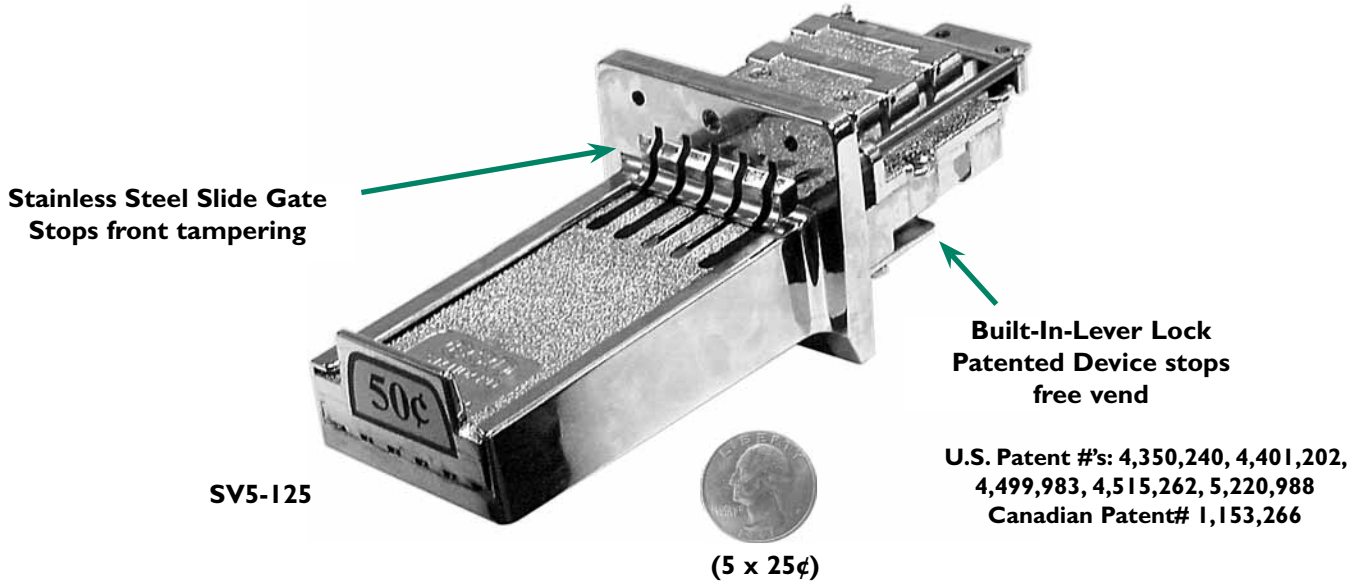
CALL TOLL FREE, USA and Canada 1-800-523-1510 • Fax 1-800-548-1638
270 Commerce Drive, Fort Washington, PA 19034 (215)628-0860 Fax (215)643-4623

Find us on the web @ www.esdcoin.com

©ESD 2017

ESD SLIDE STD VERTICAL 5[®]

All Slides Have Case Hardened Parts To Resist Damage From Slamming



SV5-125



(5 x 25¢)

U.S. Patent #'s: 4,350,240, 4,401,202,
4,499,983, 4,515,262, 5,220,988
Canadian Patent# 1,153,266

FEATURES:

Variable price settings: 00¢ - 10¢ - 25¢ - 50¢ - 75¢ - \$1.00 - \$1.25

Vertical coin acceptance

All steel security gate with solid metal bridge

One step price changing - UP or DOWN in seconds without disassembly

Exclusive dual return springs for smoother operation

Fits all existing extensions and machines

Total UP and DOWN multiple price flexibility for price increases, price decreases or price features. Factory pre-set pricing to suit needs

| |
|-------|
| MODEL |
|-------|

| |
|---------|
| SV5-125 |
|---------|

Standard pack is 20 to a carton.
Prices are subject to change without notice.



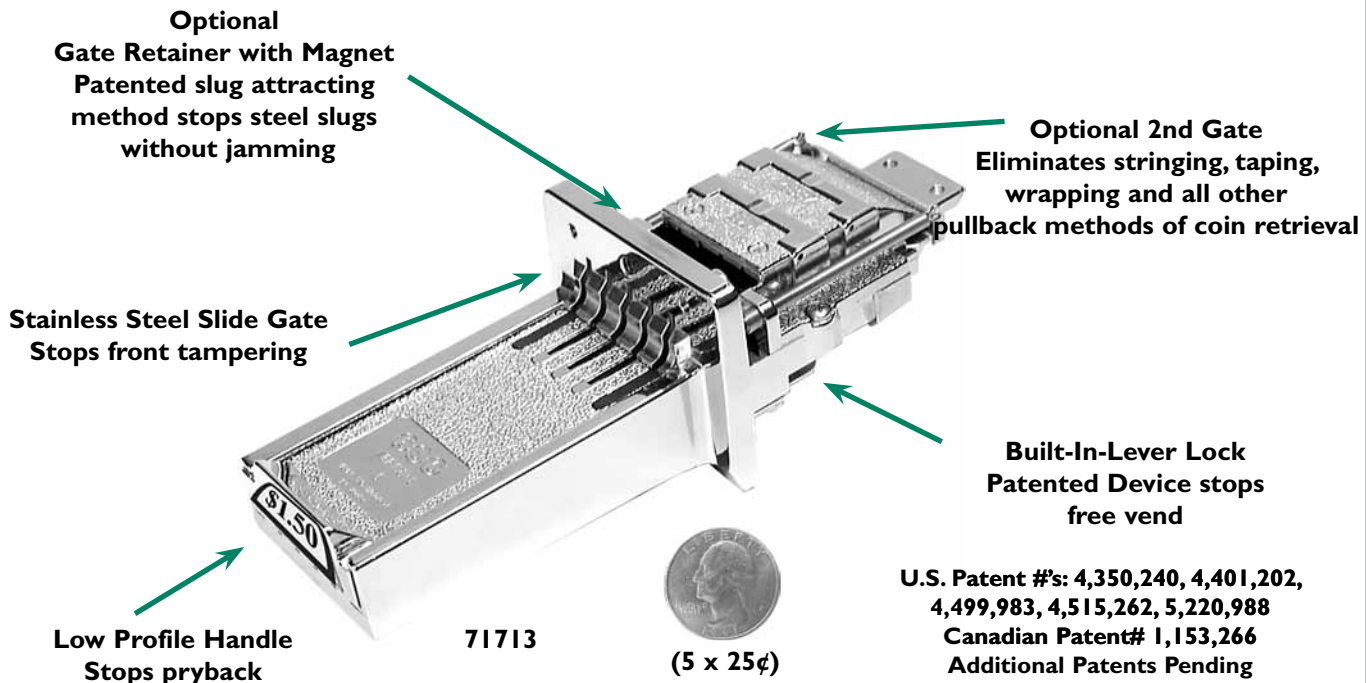
CALL TOLL FREE, USA and Canada 1-800-523-1510 • Fax 1-800-548-1638
270 Commerce Drive, Fort Washington, PA 19034 (215)628-0860 Fax (215)643-4623

Find us on the web @ www.esdcoin.com

©ESD 2017

ESD SLIDE VERTICAL 5[®] WITH OPTIONAL SECURITY FEATURES

All Slides Have Case Hardened Parts To Resist Damage From Slamming



FEATURES:

- Variable price settings: 00¢ - 25¢ - 50¢ - 75¢ - \$1.00 - \$1.25
- Vertical coin acceptance
- All steel security gate with solid metal bridge
- One step price changing - UP or DOWN in seconds without disassembly
- Exclusive dual return springs for smoother operation
- Fits all existing extensions and machines
- Total UP and DOWN multiple price flexibility for price increases, price decreases or price features
- Initial vend pricing is pre-set at factory as specified by customer

| |
|-------|
| MODEL |
| 71713 |

Standard pack is 20 to a carton.
Prices are subject to change without notice.



CALL TOLL FREE, USA and Canada 1-800-523-1510 • Fax 1-800-548-1638
270 Commerce Drive, Fort Washington, PA 19034 (215)628-0860 Fax (215)643-4623

Find us on the web @ www.esdcoin.com

©ESD 2017

ESD SLIDE VERTICAL 5[®]

SV5 200 SLIDE (US \$1.00 COIN or \$1.00 CANADIAN COIN)

All Slides Have Case Hardened Parts To Resist Damage From Slamming

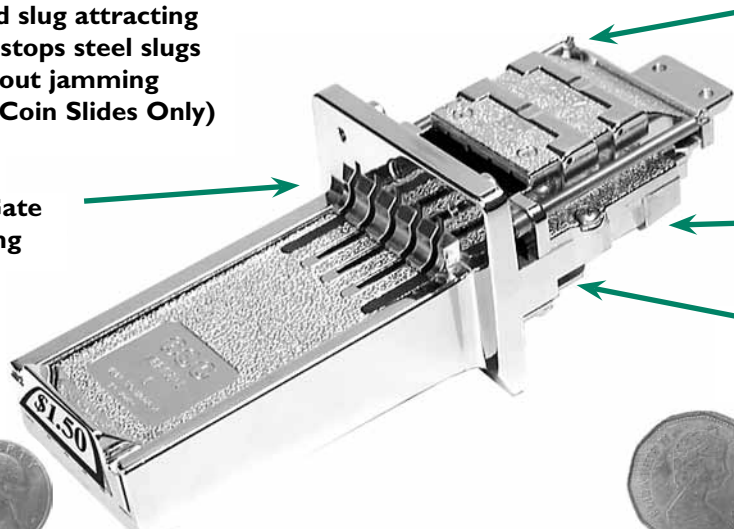
Optional*
Gate Retainer with Magnet
Patented slug attracting
method stops steel slugs
without jamming
(For U.S. Coin Slides Only)

2nd Gate
Eliminates stringing, taping,
wrapping and all other
pullback methods of coin
retrieval

Stainless Steel Slide Gate
Stops front tampering

Anti Straw Device
(Optional)

Built-In-Lever Lock
Patented Device stops
free vend



(1 x \$1.00 U.S.) (4 x 25¢)



(1 x \$1.00 CN) (1 x 25¢)

FEATURES:

- Fits all U.S. Machines
- Variable price settings 00¢ - \$3.50
- Accepts 1 dollar coins, quarters (singularly or in combination)
- Exclusive dual return springs for smoother operation
- All steel security gate with solid metal bridge
- One step price changing - UP OR DOWN in seconds without disassembly
- Fits all existing extensions and machines
- Total UP and DOWN multiple price flexibility for price increases, price decreases or price features
- Initial vend pricing is pre-set at factory as specified by customer

U.S. Patent #'s: 4,350,240, 4,401,202,
4,499,983, 4,515,262, 5,220,988
Canadian Patent# 1,153,266
Additional Patents Pending

When ordering specify model number: Model No. SV5-200, SV5-275, SV5-350

| MODEL |
|---------|
| SV5-200 |
| SV5-275 |
| SV5-350 |

Standard pack is 20 to a carton.
Prices are subject to change without notice.



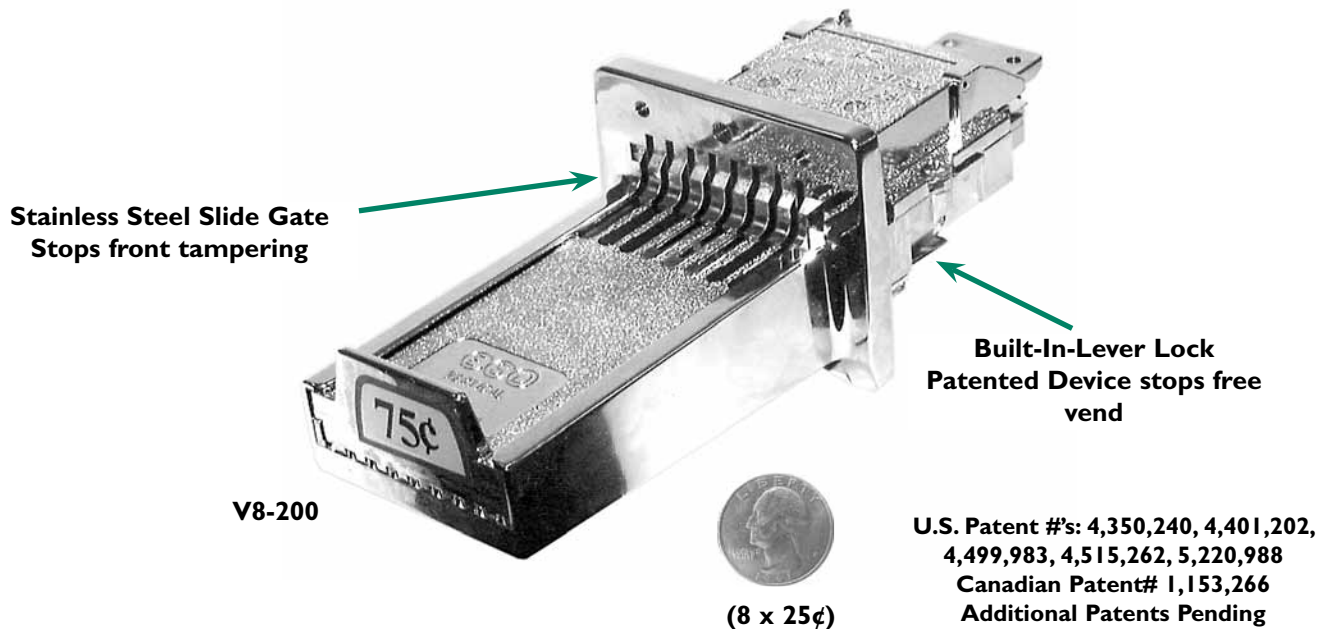
CALL TOLL FREE, USA and Canada 1-800-523-1510 • Fax 1-800-548-1638
270 Commerce Drive, Fort Washington, PA 19034 (215)628-0860 Fax (215)643-4623

Find us on the web @ www.esdcoin.com

©ESD 2017

ESD SLIDE STD VERTICAL 8[®]

All Slides Have Case Hardened Parts To Resist Damage From Slamming



FEATURES:

Variable price settings: 00¢ - 25¢ - 50¢ - 75¢ - \$1.00 - \$1.25 - \$1.50 - \$1.75 - \$2.00
Vertical coin acceptance
All steel security gate with solid metal bridge
One step price changing - UP or DOWN in seconds without disassembly
Exclusive dual return springs for smoother operation
Fits all existing extensions and machines
Total UP and DOWN multiple price flexibility for price increases, price decreases or price features. Factory pre-set pricing to suit needs

| |
|---------------|
| MODEL |
| V8-200 |

Standard pack is 20 to a carton.
Prices are subject to change without notice.

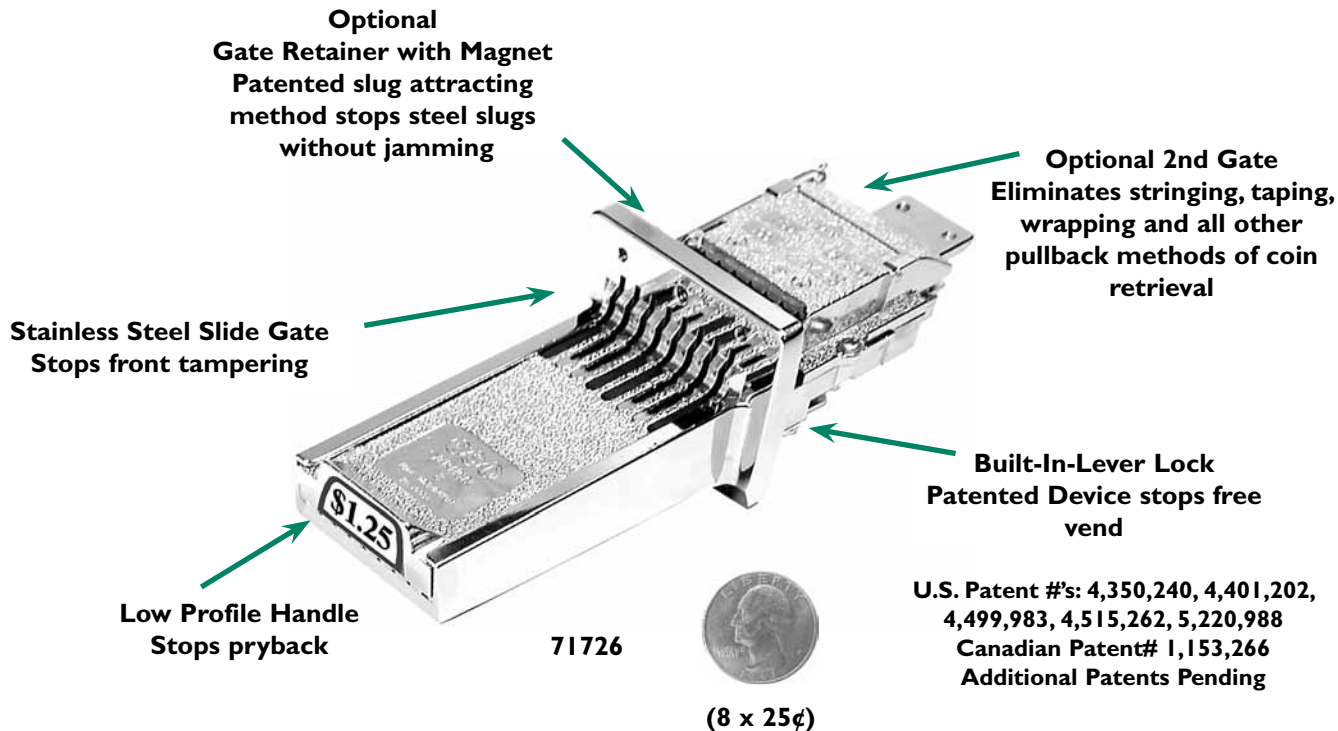


CALL TOLL FREE, USA and Canada 1-800-523-1510 • Fax 1-800-548-1638
270 Commerce Drive, Fort Washington, PA 19034 (215)628-0860 Fax (215)643-4623
Find us on the web @ www.esdcoin.com

©ESD 2017

ESD SLIDE VERTICAL 8[®] WITH OPTIONAL SECURITY FEATURES

All Slides Have Case Hardened Parts To Resist Damage From Slamming



FEATURES:

- Variable price settings :00¢ - 25¢ - 50¢ - 75¢ - \$1.00 - \$1.25 - \$1.50 - \$1.75 - \$2.00
- Vertical coin acceptance
- All steel security gate with solid metal bridge
- One step price changing - UP or DOWN in seconds without disassembly
- Fits all existing extensions and machines
- Total UP and DOWN multiple price flexibility for price increases, price decreases or price features
- Initial vend pricing is pre-set at factory as specified by customer

| |
|-----------|
| MODEL |
| 71726 |
| 72102LHGM |

Standard pack is 20 to a carton.
Prices are subject to change without notice.



CALL TOLL FREE, USA and Canada 1-800-523-1510 • Fax 1-800-548-1638
270 Commerce Drive, Fort Washington, PA 19034 (215)628-0860 Fax (215)643-4623
Find us on the web @ www.esdcoin.com

ESD SLIDE VERTICAL I4[®]

All Slides Have Case Hardened Parts To Resist Damage From Slamming

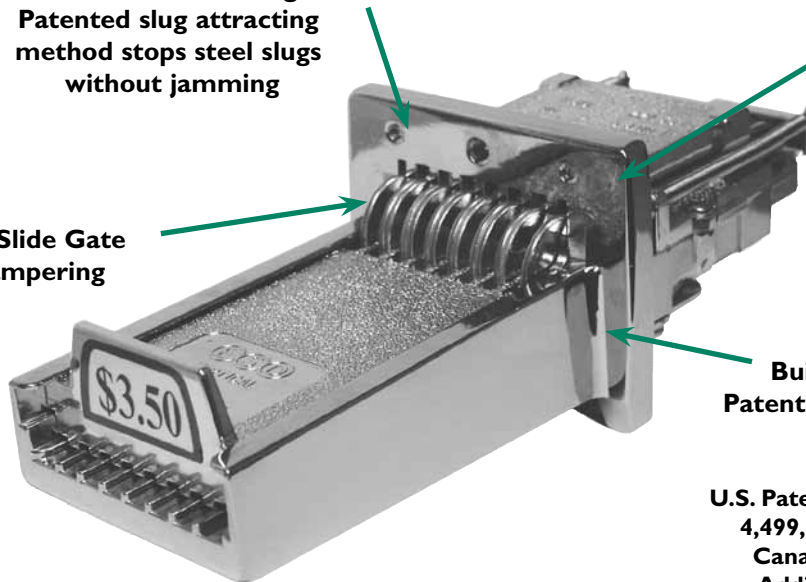
Optional
Gate Retainer with Magnet
Patented slug attracting
method stops steel slugs
without jamming

2nd Gate Eliminates
stringing, taping, wrapping
and all other pullback
methods of coin retrieval

Stainless Steel Slide Gate
Stops front tampering



(14 x 25¢)



Built-In-Lever Lock
Patented Device stops free
vend

U.S. Patent #'s: 4,350,240, 4,401,202,
4,499,983, 4,515,262, 5,220,988
Canadian Patent# 1,153,266
Additional Patents Pending

FEATURES:

- Variable price settings: 0-\$3.50
- Vertical coin acceptance
- All steel security gate with solid metal bridge
- One step price changing - UP or DOWN in seconds without disassembly
- Exclusive dual return springs for smoother operation
- Fits all existing extensions and machines
- Total UP and DOWN multiple price flexibility for price increases, price decreases or price features. Factory pre-set pricing to suit needs

| MODEL |
|-----------|
| 72198 |
| 72198GM |
| 72198LHGM |

Standard pack is 20 to a carton.
Prices are subject to change without notice.



CALL TOLL FREE, USA and Canada 1-800-523-1510 • Fax 1-800-548-1638
270 Commerce Drive, Fort Washington, PA 19034 (215)628-0860 Fax (215)643-4623

Find us on the web @ www.esdcoin.com

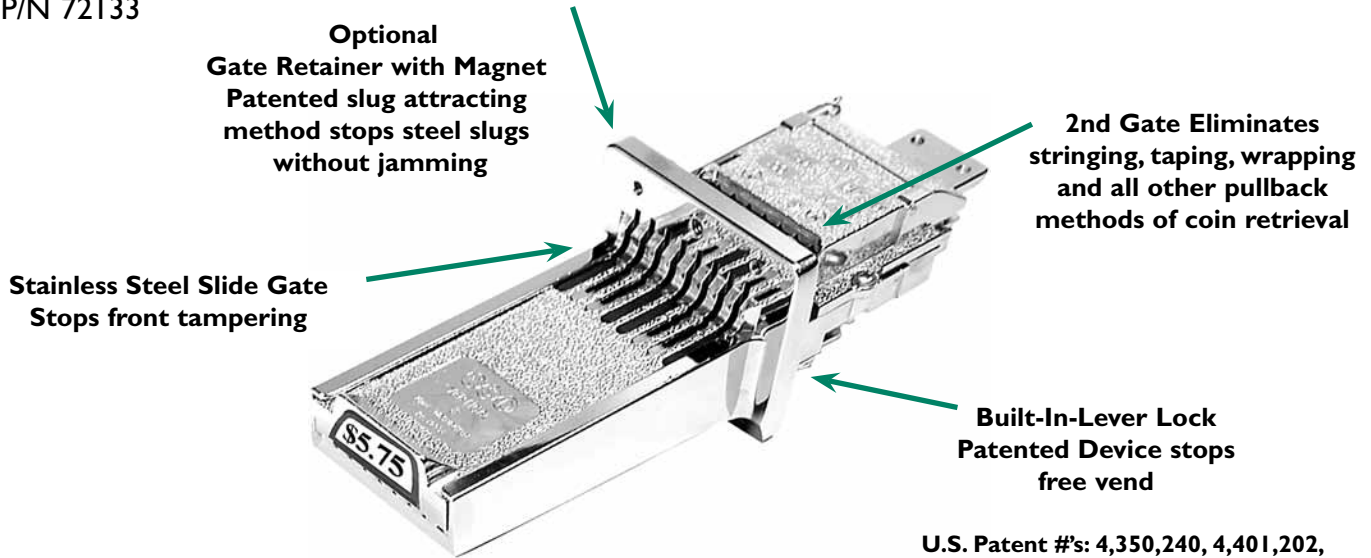
©ESD 2017

ESD SLIDE VERTICAL 8[®]

(Sacagawea \$1.00 coin or Canadian \$1.00 coin)

All Slides Have Case Hardened Parts To Resist Damage From Slamming

P/N 72133



U.S. Patent #'s: 4,350,240, 4,401,202,
4,499,983, 4,515,262, 5,220,988
Canadian Patent# 1,153,266
Additional Patents Pending

FEATURES:

- Variable price settings: 0-\$6.50
- Vertical coin acceptance
- All steel security gate with solid metal bridge
- One step price changing - UP or DOWN in seconds without disassembly
- Exclusive dual return springs for smoother operation
- Fits all existing extensions and machines
- Total UP and DOWN multiple price flexibility for price increases, price decreases or price features. Factory pre-set pricing to suit needs

| |
|---------------|
| MODEL |
| 72133* |

* Part Number 72133 =
A Vertical 8 Coin Slide
with a maximum vend price
of \$2.75 (1 x \$1, 7 x 25¢)

Standard pack is 20 to a carton.
Prices are subject to change without notice.



‡ Part Number V8-650 =
A Vertical 8 Coin Slide
with a maximum vend price
of \$6.50 (6 x \$1, 2 x 25¢)

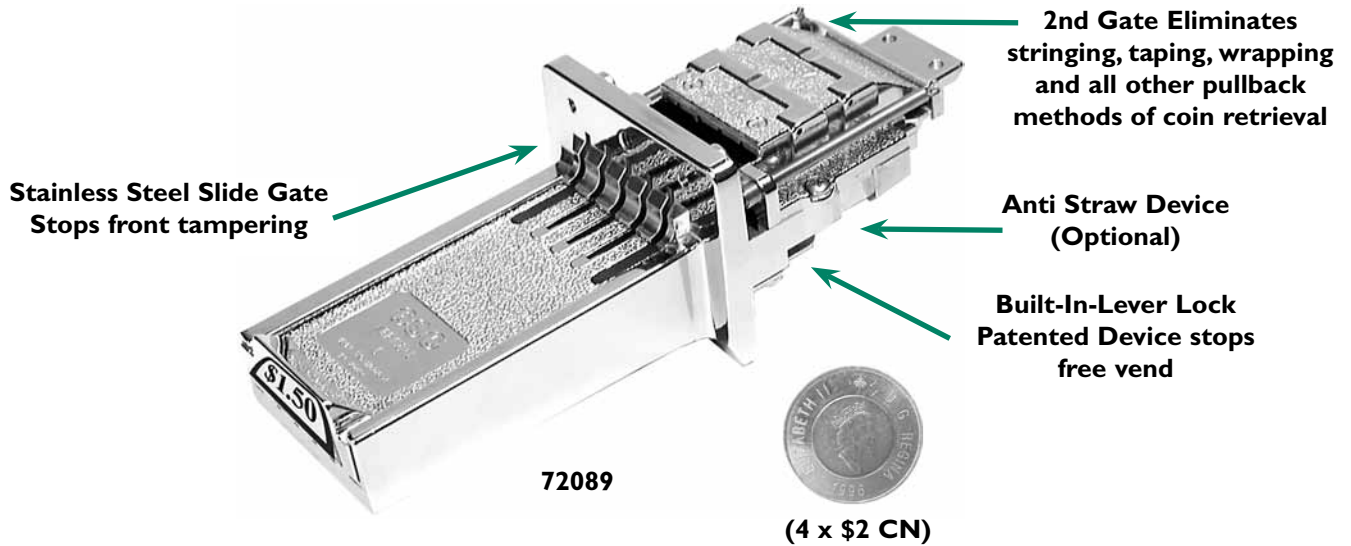
CALL TOLL FREE, USA and Canada 1-800-523-1510 • Fax 1-800-548-1638
270 Commerce Drive, Fort Washington, PA 19034 (215)628-0860 Fax (215)643-4623

Find us on the web @ www.esdcoin.com

©ESD 2017

ESD SLIDE VERTICAL 5[®] SV5 COIN SLIDE (\$2.00 CANADIAN COIN)

All Slides Have Case Hardened Parts To Resist Damage From Slamming



U.S. Patent #'s: 4,350,240, 4,401,202,
4,499,983, 4,515,262, 5,220,988
Canadian Patent# 1,153,266
Additional Patents Pending

FEATURES:

- Fits all Canadian and U.S. Machines
- Variable price settings 00¢ - \$8.00
- Accepts 2 dollar coins
- Exclusive dual return springs for smoother operation
- All steel security gate with solid metal bridge
- One step price changing - UP OR DOWN in seconds without disassembly
- Fits all existing extensions and machines
- Total UP and DOWN multiple price flexibility for price increases, price decreases or price features
- Initial vend pricing is pre-set at factory as specified by customer

When ordering specify your desired combination.

| |
|-------|
| MODEL |
| 72089 |

Standard pack is 20 to a carton.
Prices are subject to change without notice.

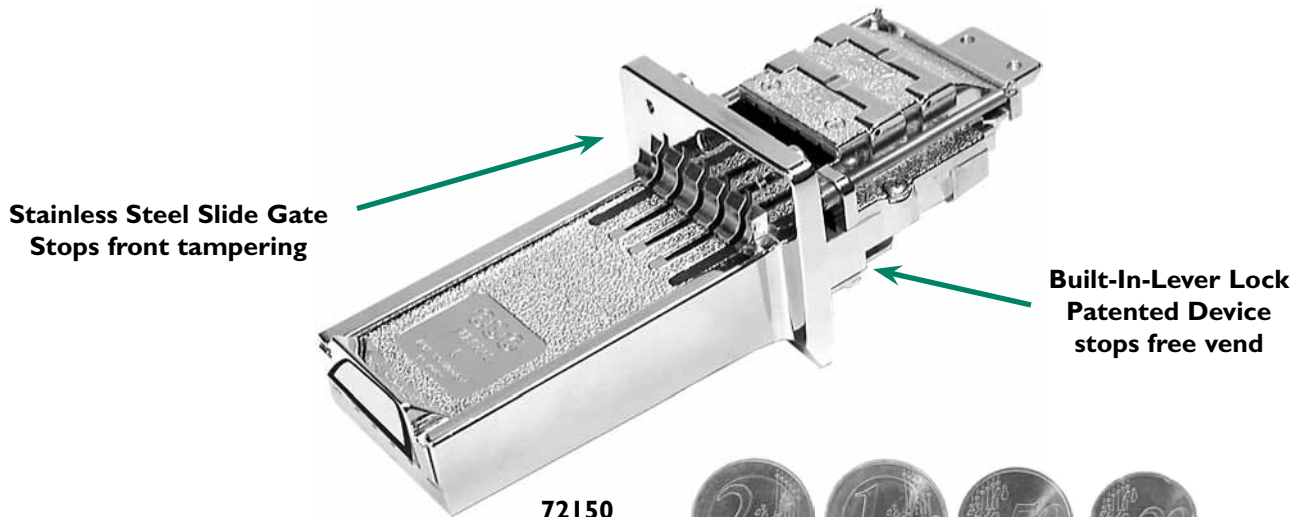


CALL TOLL FREE, USA and Canada 1-800-523-1510 • Fax 1-800-548-1638
270 Commerce Drive, Fort Washington, PA 19034 (215)628-0860 Fax (215)643-4623
Find us on the web @ www.esdcoin.com

ESD SLIDE VERTICAL 5[®]

FOR THE NEW EURO COIN - EU470

All Slides Have Case Hardened Parts To Resist Damage From Slamming



Stainless Steel Slide Gate
Stops front tampering

Built-In-Lever Lock
Patented Device
stops free vend

72150



(1x \$2E, 2x \$1E, 1x.50E, 1x.20E)

FEATURES:

- Variable price settings: 00¢ - 20¢ - 50¢ - 70¢ - \$1.00 - \$1.20 - \$1.50 - \$1.70 - \$2.00 - \$2.20 - \$2.50 - \$2.70 - \$3.00 - \$3.20 - \$3.50 - \$3.70 - \$4.00 - \$4.20 - \$4.50 - \$4.70
- Vertical coin acceptance
- All steel security gate with solid metal bridge
- One step price changing - UP or DOWN in seconds without disassembly
- Exclusive dual return springs for smoother operation
- Fits all existing extensions and machines
- Total UP and DOWN multiple price flexibility for price increases, price decreases or price features.
- Factory pre-set pricing to suit needs

MODEL

72150

Standard pack is 20 to a carton.
Prices are subject to change without notice.



CALL TOLL FREE, USA and Canada 1-800-523-1510 • Fax 1-800-548-1638
270 Commerce Drive, Fort Washington, PA 19034 (215)628-0860 Fax (215)643-4623

Find us on the web @ www.esdcoin.com

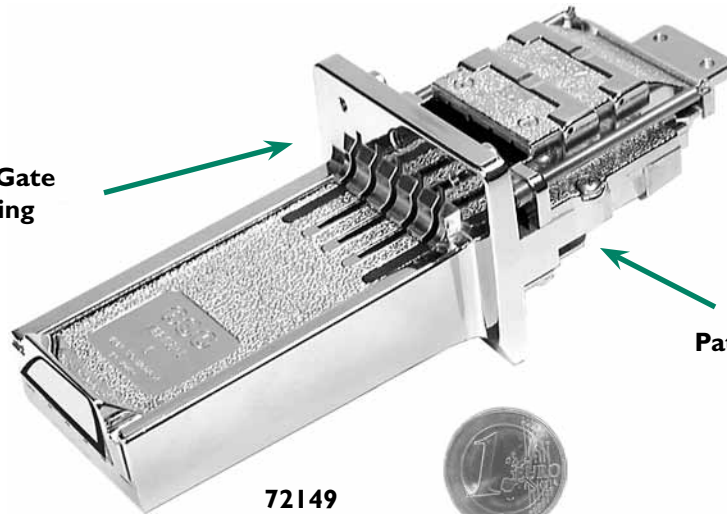
©ESD 2017

ESD SLIDE VERTICAL 5[®]

FOR THE NEW EURO COIN - EU500

All Slides Have Case Hardened Parts To Resist Damage From Slamming

Stainless Steel Slide Gate
Stops front tampering



Built-In-Lever Lock
Patented Device stops free vend

72149

(5 x \$1.00 E)

U.S. Patent #'s: 4,350,240, 4,401,202,
4,499,983, 4,515,262, 5,220,988
Canadian Patent# 1,153,266
Additional Patents Pending

FEATURES:

Variable price settings: \$1.00 - \$2.00 - \$3.00 - \$4.00 - \$5.00

Vertical coin acceptance

All steel security gate with solid metal bridge

One step price changing - UP or DOWN in seconds without disassembly

Exclusive dual return springs for smoother operation

Fits all existing extensions and machines

Total UP and DOWN multiple price flexibility for price increases, price decreases or price features.

Factory pre-set pricing to suit needs

MODEL

72149

Standard pack is 20 to a carton.

Prices are subject to change without notice.



CALL TOLL FREE, USA and Canada 1-800-523-1510 • Fax 1-800-548-1638
270 Commerce Drive, Fort Washington, PA 19034 (215)628-0860 Fax (215)643-4623

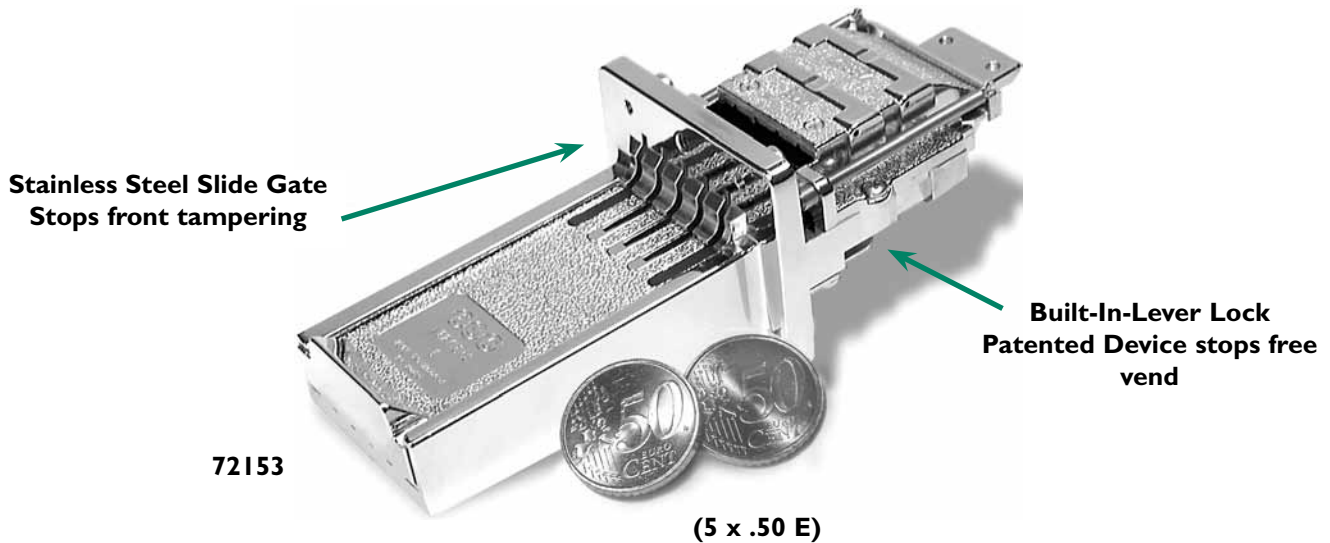
Find us on the web @ www.esdcoin.com

©ESD 2017

ESD SLIDE VERTICAL 5[®]

FOR THE NEW EURO COIN - EU250

All Slides Have Case Hardened Parts To Resist Damage From Slamming



U.S. Patent #'s: 4,350,240, 4,401,202,
4,499,983, 4,515,262, 5,220,988
Canadian Patent# 1,153,266
Additional Patents Pending

FEATURES:

Variable price settings: \$.50 - \$1.00 - \$1.50 - \$2.00 - \$2.50
Vertical coin acceptance
All steel security gate with solid metal bridge
One step price changing - UP or DOWN in seconds without disassembly
Exclusive dual return springs for smoother operation
Fits all existing extensions and machines
Total UP and DOWN multiple price flexibility for price increases, price decreases or price features. Factory pre-set pricing to suit needs

MODEL

72153

Standard pack is 20 to a carton.

Prices are subject to change without notice.



CALL TOLL FREE, USA and Canada 1-800-523-1510 • Fax 1-800-548-1638
270 Commerce Drive, Fort Washington, PA 19034 (215)628-0860 Fax (215)643-4623

Find us on the web @ www.esdcoin.com

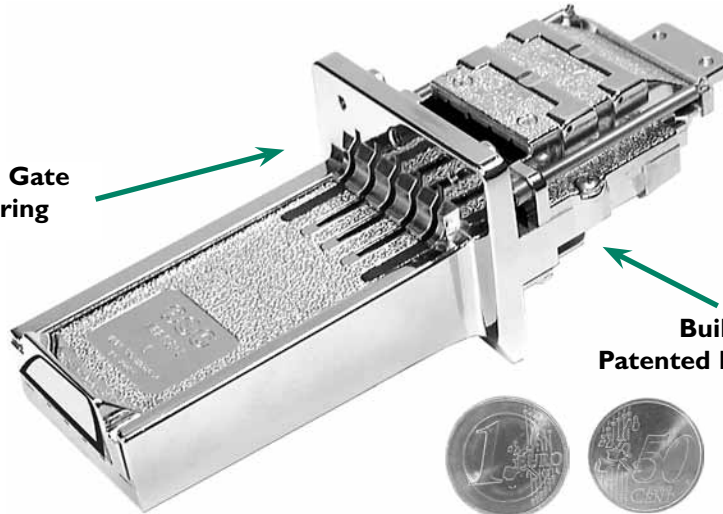
©ESD 2017

ESD SLIDE VERTICAL 5[®] FOR THE NEW EURO COIN - EU215

All Slides Have Case Hardened Parts To Resist Damage From Slamming

Stainless Steel Slide Gate
Stops front tampering

72158



Built-In-Lever Lock
Patented Device stops free vend



(1x \$1E, 2x .50E, 1x.10E, 1x.05E)

U.S. Patent #'s: 4,350,240, 4,401,202,
4,499,983, 4,515,262, 5,220,988
Canadian Patent# 1,153,266
Additional Patents Pending

FEATURES:

- Variable price settings: \$.15 - \$.50 - \$.65 - \$1.00 - \$1.15 - \$1.50 - \$1.65 - \$2.00
- Vertical coin acceptance
- All steel security gate with solid metal bridge
- One step price changing - UP or DOWN in seconds without disassembly
- Exclusive dual return springs for smoother operation
- Fits all existing extensions and machines
- Total UP and DOWN multiple price flexibility for price increases, price decreases or price features. Factory pre-set pricing to suit needs

MODEL

72158

Standard pack is 20 to a carton.
Prices are subject to change without notice.

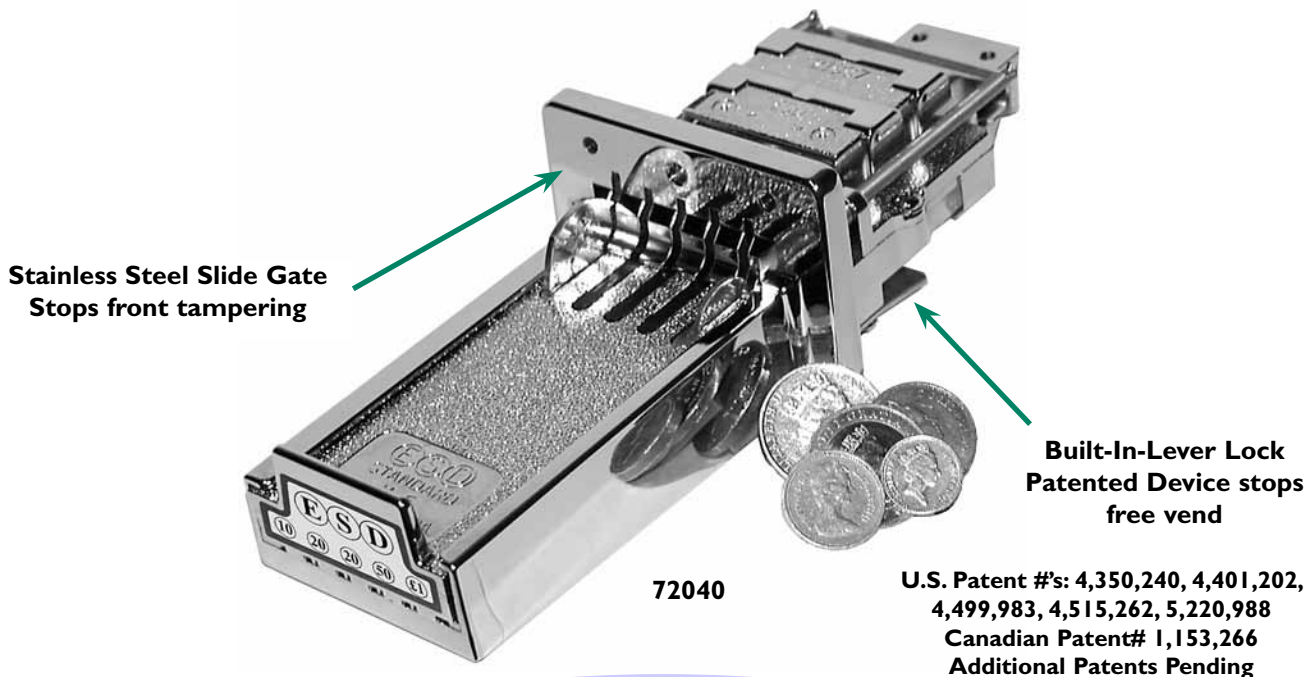


CALL TOLL FREE, USA and Canada 1-800-523-1510 • Fax 1-800-548-1638
270 Commerce Drive, Fort Washington, PA 19034 (215)628-0860 Fax (215)643-4623
Find us on the web @ www.esdcoin.com

©ESD 2017

ESD BRITISH SLIDE VERTICAL 5[®] 2£ POUND COIN SLIDE

All Slides Have Case Hardened Parts To Resist Damage From Slamming



FEATURES:

- Variable price settings: 1x.10p, 2x.20p, 1x.50p, 1x1#
- Vertical coin acceptance
- All steel security gate with solid metal bridge
- One step price changing - UP or DOWN in seconds without disassembly
- Exclusive dual return springs for smoother operation
- Fits all existing extensions and machines
- Total UP and DOWN multiple price flexibility for price increases, price decreases or price features. • Factory pre-set pricing to suit needs

MODEL

72040

Standard pack is 20 to a carton.
Prices are subject to change without notice.



CALL TOLL FREE, USA and Canada 1-800-523-1510 • Fax 1-800-548-1638
270 Commerce Drive, Fort Washington, PA 19034 (215)628-0860 Fax (215)643-4623
Find us on the web @ www.esdcoin.com

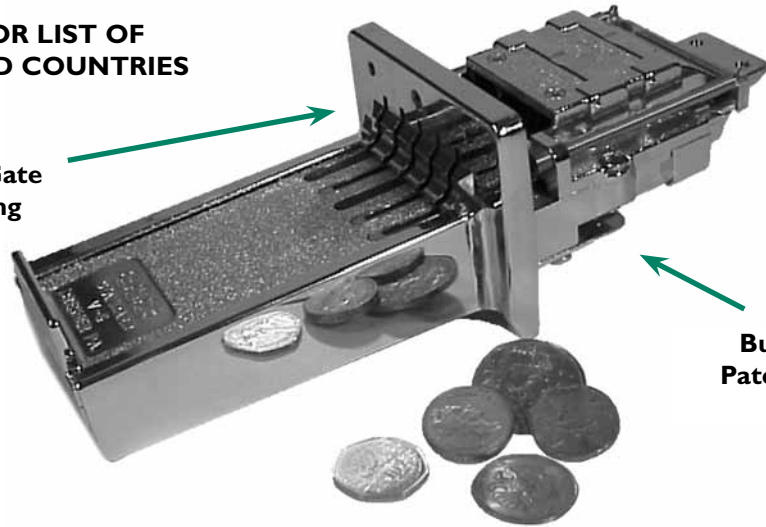
©ESD 2017

ESD INTERNATIONAL SLIDE VERTICAL 5®

All Slides Have Case Hardened Parts To Resist Damage From Slamming

SEE NEXT PAGE FOR LIST OF
CURRENTLY SUPPLIED COUNTRIES

Stainless Steel Slide Gate
Stops front tampering



Built-In-Lever Lock
Patented Device stops
free vend

U.S. Patent #'s: 4,350,240, 4,401,202,
4,499,983, 4,515,262, 5,220,988
Canadian Patent# 1,153,266
Additional Patents Pending

FEATURES:

Variable price settings:
Vertical coin acceptance
All steel security gate with solid metal bridge
One step price changing - UP or DOWN in seconds without disassembly
Exclusive dual return springs for smoother operation
Fits all existing extensions and machines
Total UP and DOWN multiple price flexibility for price increases, price decreases or price features. Factory pre-set pricing to suit needs

MODEL

INTERNATIONAL
V5

Standard pack is 20 to a carton.
Prices are subject to change without notice.



CALL TOLL FREE, USA and Canada 1-800-523-1510 • Fax 1-800-548-1638
270 Commerce Drive, Fort Washington, PA 19034 (215)628-0860 Fax (215)643-4623

Find us on the web @ www.esdcoin.com

©ESD 2017

ESD INTERNATIONAL SLIDE COUNTRY LIST

- 
- ARGENTINA**
ARABIA
ARUBA
AUSTRALIA
BAHAMAS
BAHRAIN
- BARBADOS**
BELGIUM
BELIZE
BERMUDA
BRAZIL
BRITISH CARIBBEAN
- CANADA**
CENTRAL AFRICA
CHILE
CHINA
COLOMBIA
CUBA
- CYPRUS**
CZECH REPUBLIC
DENMARK
DOMINICAN REPUBLIC
EUROPEAN UNION
FINLAND
FRANCE
- GERMANY**
GREECE
GUATEMALA
HOLLAND
HONG KONG
HUNGARY
- INDIA**
INDONESIA
IRELAND
ICELAND
ISRAEL
ITALY
- JAMAICA**
JAPAN
KOREA
LIBERIA
MALAYSIA
MALTA
- MEXICO**
MOROCCO
NETHERLANDS
AMSTERDAM
NEW ZEALAND
NORWAY
- PANAMA**
PERU
PHILIPPINES
POLAND
PORTUGAL
ROMANIA
- SINGAPORE**
SOUTH AFRICA
SPAIN
ST. MARTIN
SWITZERLAND
TAIWAN
- THAILAND**
TRINIDAD/TOBAGO
U.A.E.
UNITED KINGDOM
URUGUAY
VENEZUELA
YUGOSLAVIA

ESD has manufactured coin slides for the coin currency of all of the above listed countries. Since coinage is subject to change in size and value, please submit samples of the current coin or coins that you wish to accept, for price quote.



CALL TOLL FREE, USA and Canada 1-800-523-1510 • Fax 1-800-548-1638
270 Commerce Drive, Fort Washington, PA 19034 (215)628-0860 Fax (215)643-4623

Find us on the web @ www.esdcoin.com

©ESD 2017



COIN SLIDE KITS

A Kit Consists of:

- (1) Vertical Coin Slide with Handle Decal**
- (1) Money Box (6" or 8") with Key**
- (1) Washer or Dryer Extension ***
- (1) Mounting Bolt**

*** Certain machines may not require extensions.**



CALL TOLL FREE, USA and Canada 1-800-523-1510 • Fax 1-800-548-1638
270 Commerce Drive, Fort Washington, PA 19034 (215)628-0860 Fax (215)643-4623

Find us on the web @ www.esdcoin.com

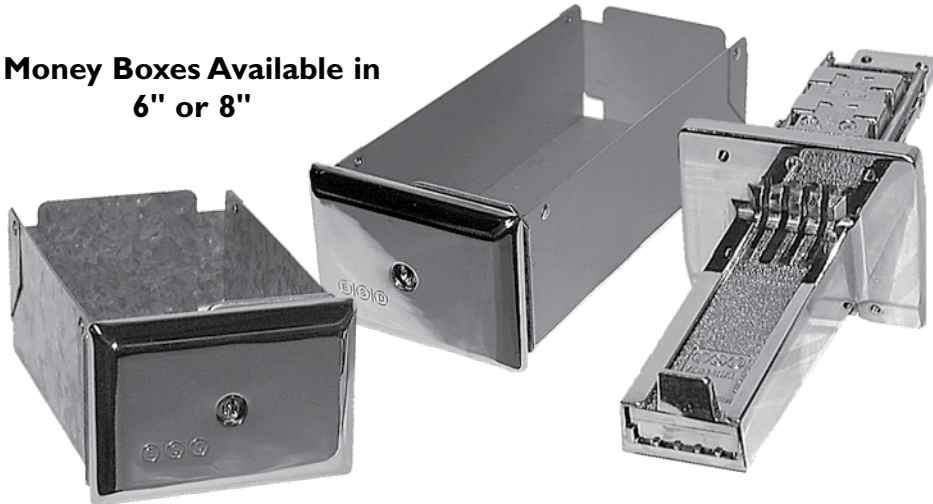
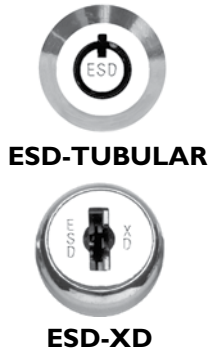
©ESD 2017

VERTICAL 4[®] COIN KITS

SPEED QUEEN, GENERAL ELECTRIC, WHIRLPOOL, WASCOMAT, CONTINENTAL GIRBAU, HUEBSCH

Kit Contains: (1) Vertical 4 Coin Slide, (1) Money Box w/key available in 6" or 8"
(1) Washer or Dryer Extension, (1) Mounting Bolt

**Money Boxes Available in
6" or 8"**



Specify keying in groups (K/A) or keying individually (K/I)

| ITEM# | ESD P/N |
|-------|--------------|
| 1 | V4-100-K-T |
| 2 | V4-100-K-XEP |
| 3 | V4-100-K-XD |
| 4 | V4-100-K-M |

| Symbol | Extra Keys: Lock |
|--------|---------------------|
| T | ESD-TUBULAR |
| XEP | ESD-XEP |
| XD | ESD-XD |
| M | MEDECO |

Standard pack is 20 to a carton.
Prices are subject to change without notice.



CALL TOLL FREE, USA and Canada 1-800-523-1510 • Fax 1-800-548-1638
270 Commerce Drive, Fort Washington, PA 19034 (215)628-0860 Fax (215)643-4623

Find us on the web @ www.esdcoin.com

©ESD 2017

VERTICAL 4[®] COIN KITS

SPEED QUEEN, GENERAL ELECTRIC, WHIRLPOOL, WASCOMAT, CONTINENTAL GIRBAU, HUEBSCH

Kit Contains: (1) Vertical 4 Coin Slide, (1) BG Money Box w/key available in 6" or 8"
(1) Washer or Dryer Extension, (1) Mounting Bolt

**Money Boxes Available in
6" or 8"**



Specify keying in groups (K/A) or keying individually (K/I)

| ITEM# | ESD P/N |
|-------|--------------|
| 1 | V4-100-K-T |
| 2 | V4-100-K-XEP |
| 3 | V4-100-K-XD |
| 4 | V4-100-K-M |

| Symbol | Extra Keys: |
|--------|---------------------|
| T | Lock ESD-TUBULAR |
| XEP | ESD-XEP |
| XD | ESD-XD |
| M | MEDECO |

Standard pack is 20 to a carton.
Prices are subject to change without notice.



CALL TOLL FREE, USA and Canada 1-800-523-1510 • Fax 1-800-548-1638
270 Commerce Drive, Fort Washington, PA 19034 (215)628-0860 Fax (215)643-4623
Find us on the web @ www.esdcoin.com

VERTICAL 4[®] TOKEN KITS

SPEED QUEEN, GENERAL ELECTRIC, WHIRLPOOL, WASCOMAT, CONTINENTAL GIRBAU, HUEBSCH

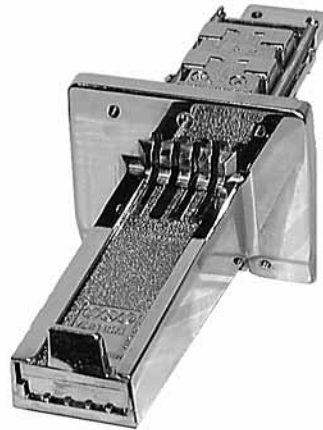
Kit Contains: (1) Vertical 4 Token Slide, (1) Standard 6" Money Box w/key
(1) Washer or Dryer Extension, (1) Mounting Bolt



ESD-TUBULAR



ESD-XD



ESD-XEP



MEDECO

Specify keying in groups (K/A) or keying individually (K/I)

| ITEM# | ESD P/N |
|-------|--------------|
| 1 | V4-100-K-T |
| 2 | V4-100-K-XEP |
| 3 | V4-100-K-XD |
| 4 | V4-100-K-M |

| Symbol | Extra Keys: Lock |
|--------|---------------------|
| T | ESD-TUBULAR |
| XEP | ESD-XEP |
| XD | ESD-XD |
| M | MEDECO |

Standard pack is 20 to a carton.
Prices are subject to change without notice.



CALL TOLL FREE, USA and Canada 1-800-523-1510 • Fax 1-800-548-1638
270 Commerce Drive, Fort Washington, PA 19034 (215)628-0860 Fax (215)643-4623

Find us on the web @ www.esdcoin.com

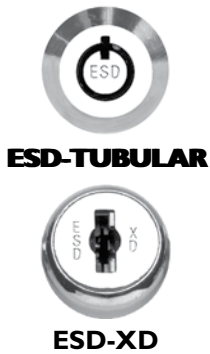
©ESD 2017

VERTICAL 5[®] COIN KITS

SPEED QUEEN, GENERAL ELECTRIC, WHIRLPOOL, WASCOMAT, CONTINENTAL GIRBAU, HUEBSCH

Kit Contains: (1) Vertical 5 Coin Slide, (1) Money Box w/key available in 6" or 8"
(1) Washer or Dryer Extension, (1) Mounting Bolt

**Money Boxes Available in
6" or 8"**



Specify keying in groups (K/A) or keying individually (K/I)

| ITEM# | ESD P/N |
|-------|-----------|
| 1 | SV5-K-T |
| 2 | SV5-K-XEP |
| 3 | SV5-K-XD |
| 4 | SV5-K-M |

Extra Keys:

| | |
|--------|-------------|
| Symbol | Lock |
| T | ESD-TUBULAR |
| XEP | ESD-XEP |
| XD | ESD-XD |
| M | MEDECO |

Standard pack is 20 to a carton.
Prices are subject to change without notice.



CALL TOLL FREE, USA and Canada 1-800-523-1510 • Fax 1-800-548-1638
270 Commerce Drive, Fort Washington, PA 19034 (215)628-0860 Fax (215)643-4623
Find us on the web @ www.esdcoin.com

VERTICAL 5[®] COIN KITS

GENERAL ELECTRIC FRONT LOAD MODEL# WCCH404VWN

Kit Contains: (1) Vertical 5 Coin Slide, (1) Standard 6" Money Box w/key
(1) Washer Extension, (1) Mounting Bolt



ESD-TUBULAR



ESD-XD



ESD-XEP



MEDECO

Specify keying in groups (K/A) or keying individually (K/I)

| ITEM# | ESD P/N |
|-------|-----------------------|
| 1 | SV5-K-GEFL-T |
| 2 | SV5-K-GEFL-XEP |
| 3 | SV5-K-GEFL-XD |
| 4 | SV5-K-GEFL-M |

| Symbol | Extra Keys: Lock |
|--------|---------------------|
| T | ESD-TUBULAR |
| XEP | ESD-XEP |
| XD | ESD-XD |
| M | MEDECO |

Standard pack is 20 to a carton.
Prices are subject to change without notice.



CALL TOLL FREE, USA and Canada 1-800-523-1510 • Fax 1-800-548-1638
270 Commerce Drive, Fort Washington, PA 19034 (215)628-0860 Fax (215)643-4623

Find us on the web @ www.esdcoin.com

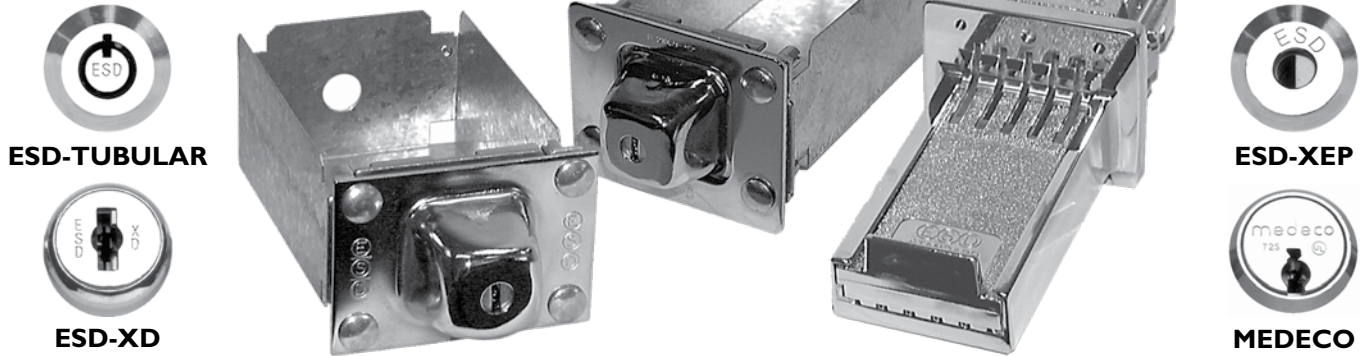
©ESD 2017

VERTICAL 5[®] COIN KITS

SPEED QUEEN, GENERAL ELECTRIC, WHIRLPOOL, WASCOMAT, CONTINENTAL GIRBAU, HUEBSCH

Kit Contains: (1) Vertical 5 Coin Slide, (1) BG Money Box w/key available in 6" or 8"
(1) Washer or Dryer Extension, (1) Mounting Bolt

**Money Boxes Available in
6" or 8"**



Specify keying in groups (K/A) or keying individually (K/I)

| ITEM# | ESD P/N |
|-------|---------------|
| 1 | SV5-125-K-T |
| 2 | SV5-125-K-XEP |
| 3 | SV5-125-K-XD |
| 4 | SV5-125-K-M |

| Symbol | Extra Keys: |
|--------|------------------|
| T | Lock ESD-TUBULAR |
| XEP | ESD-XEP |
| XD | ESD-XD |
| M | MEDECO |

Standard pack is 20 to a carton.
Prices are subject to change without notice.

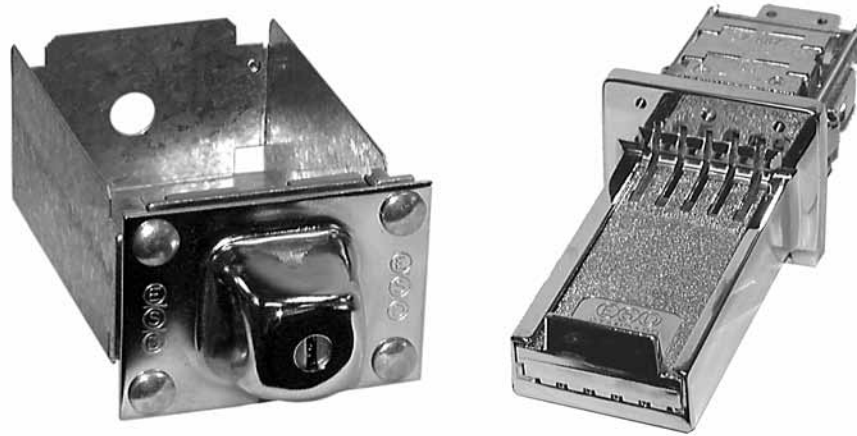


CALL TOLL FREE, USA and Canada 1-800-523-1510 • Fax 1-800-548-1638
270 Commerce Drive, Fort Washington, PA 19034 (215)628-0860 Fax (215)643-4623
Find us on the web @ www.esdcoin.com

VERTICAL 5[®] COIN KITS

GENERAL ELECTRIC FRONT LOAD MODEL# WCCH404VWN

Kit Contains: (1) Vertical 5 Coin Slide, (1) BG Money Box w/key
(1) Washer Extension, (1) Mounting Bolt



ESD-TUBULAR



ESD-XD



ESD-XEP



MEDECO

Specify keying in groups (K/A) or keying individually (K/I)

| ITEM# | ESD P/N |
|-------|----------------|
| 1 | SV5-GEFL-K-T |
| 2 | SV5-GEFL-K-XEP |
| 3 | SV5-GEFL-K-XD |
| 4 | SV5-GEFL-K-M |

| Symbol | Extra Keys: |
|--------|-------------|
| T | Lock |
| XEP | ESD-TUBULAR |
| XD | ESD-XEP |
| M | ESD-XD |
| | MEDECO |

Standard pack is 20 to a carton.
Prices are subject to change without notice.



CALL TOLL FREE, USA and Canada 1-800-523-1510 • Fax 1-800-548-1638
270 Commerce Drive, Fort Washington, PA 19034 (215)628-0860 Fax (215)643-4623

Find us on the web @ www.esdcoin.com

©ESD 2017

VERTICAL 5[®] COIN KITS

WHIRLPOOL J SERIES

Kit Contains: (1) Vertical 5 Coin Slide, (1) BGW Money Box w/key
(1) Washer or Dryer Extension, (1) Mounting Bolt

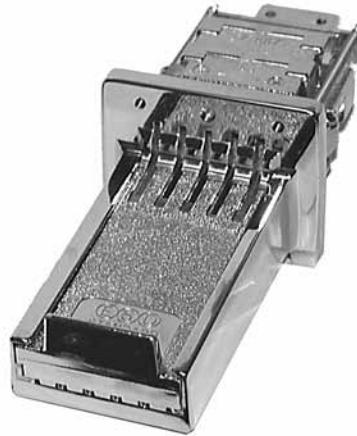
***STACK DRYERS USE LMB**



ESD-TUBULAR



ESD-XD



ESD-XEP



MEDECO

Specify keying in groups (K/A) or keying individually (K/I)

| ITEM# | ESD P/N |
|-------|-----------|
| 1 | SV5-K-T |
| 2 | SV5-K-XEP |
| 3 | SV5-K-XD |
| 4 | SV5-K-M |

Symbol

T

XEP

XD

M

Extra Keys:

Lock

ESD-TUBULAR

ESD-XEP

ESD-XD

MEDECO

Standard pack is 20 to a carton.
Prices are subject to change without notice.



CALL TOLL FREE, USA and Canada 1-800-523-1510 • Fax 1-800-548-1638
270 Commerce Drive, Fort Washington, PA 19034 (215)628-0860 Fax (215)643-4623

Find us on the web @ www.esdcoin.com

©ESD 2017

VERTICAL 5[®] TOKEN KITS

SPEED QUEEN, GENERAL ELECTRIC, WHIRLPOOL, WASCOMAT, CONTINENTAL GIRBAU, HUEBSCH

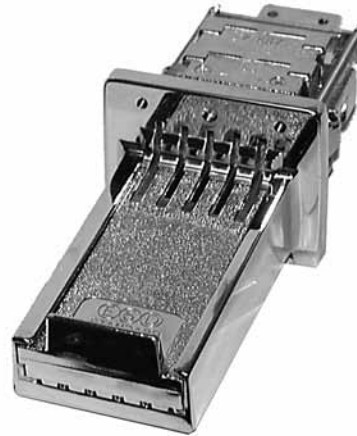
Kit Contains: (1) Vertical 5 Token Slide, (1) Standard Money Box w/key
(1) Washer or Dryer Extension, (1) Mounting Bolt



ESD-TUBULAR



ESD-XD



ESD-XEP



MEDECO

Specify keying in groups (K/A) or keying individually (K/I)

| ITEM# | ESD P/N |
|-------|-----------|
| 1 | SV5-K-T |
| 2 | SV5-K-XEP |
| 3 | SV5-K-XD |
| 4 | SV5-K-M |

| Symbol | Extra Keys: |
|--------|-------------|
| T | Lock |
| XEP | ESD-TUBULAR |
| XD | ESD-XEP |
| M | ESD-XD |
| | MEDECO |

Standard pack is 20 to a carton.
Prices are subject to change without notice.



CALL TOLL FREE, USA and Canada 1-800-523-1510 • Fax 1-800-548-1638
270 Commerce Drive, Fort Washington, PA 19034 (215)628-0860 Fax (215)643-4623
Find us on the web @ www.esdcoin.com

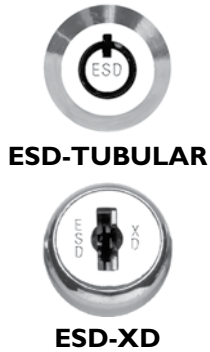
©ESD 2017

VERTICAL 8[®] COIN KITS

SPEED QUEEN, GENERAL ELECTRIC, WHIRLPOOL, WASCOMAT, CONTINENTAL GIRBAU, HUEBSCH

Kit Contains: (1) Vertical 8 Coin Slide, (1) Money Box w/key available in 6" or 8"
(1) Washer or Dryer Extension, (1) Mounting Bolt

**Money Boxes Available in
6" or 8"**



Specify keying in groups (K/A) or keying individually (K/I)

| ITEM# | ESD P/N |
|-------|----------|
| 1 | V8-K-T |
| 2 | V8-K-XEP |
| 3 | V8-K-XD |
| 4 | V8-K-M |

| Symbol | Extra Keys: |
|--------|---------------------|
| T | Lock ESD-TUBULAR |
| XEP | ESD-XEP |
| XD | ESD-XD |
| M | MEDECO |

Standard pack is 20 to a carton.
Prices are subject to change without notice.



CALL TOLL FREE, USA and Canada 1-800-523-1510 • Fax 1-800-548-1638
270 Commerce Drive, Fort Washington, PA 19034 (215)628-0860 Fax (215)643-4623
Find us on the web @ www.esdcoin.com

VERTICAL 8[®] COIN KITS

GENERAL ELECTRIC FRONT LOAD MODEL# WCCH404VWN

Kit Contains: (1) Vertical 8 Coin Slide, (1) Standard 6" Money Box w/key
(1) Washer Extension, (1) Mounting Bolt



ESD-TUBULAR



ESD-XD



ESD-XEP



MEDECO

Prices below include 100% keying
Specify keying in groups (K/A) or keying individually (K/I)

| ITEM# | ESD P/N |
|-------|---------------|
| 1 | V8-K-GEFL-T |
| 2 | V8-K-GEFL-XEP |
| 3 | V8-K-GEFL-XD |
| 4 | V8-K-GEFL-M |

| Symbol | Extra Keys: |
|--------|-------------|
| T | Lock |
| XEP | ESD-TUBULAR |
| XD | ESD-XEP |
| M | ESD-XD |
| | MEDECO |

Standard pack is 20 to a carton.
Prices are subject to change without notice.



CALL TOLL FREE, USA and Canada 1-800-523-1510 • Fax 1-800-548-1638
270 Commerce Drive, Fort Washington, PA 19034 (215)628-0860 Fax (215)643-4623

Find us on the web @ www.esdcoin.com

©ESD 2017

VERTICAL 8® COIN KITS

SPEED QUEEN, GENERAL ELECTRIC, WHIRLPOOL, WASCOMAT, CONTINENTAL GIRBAU, HUEBSCH

Kit Contains: (1) Vertical 8 Coin Slide, (1) BG Money Box w/key available in 6" or 8"
(1) Washer or Dryer Extension, (1) Mounting Bolt

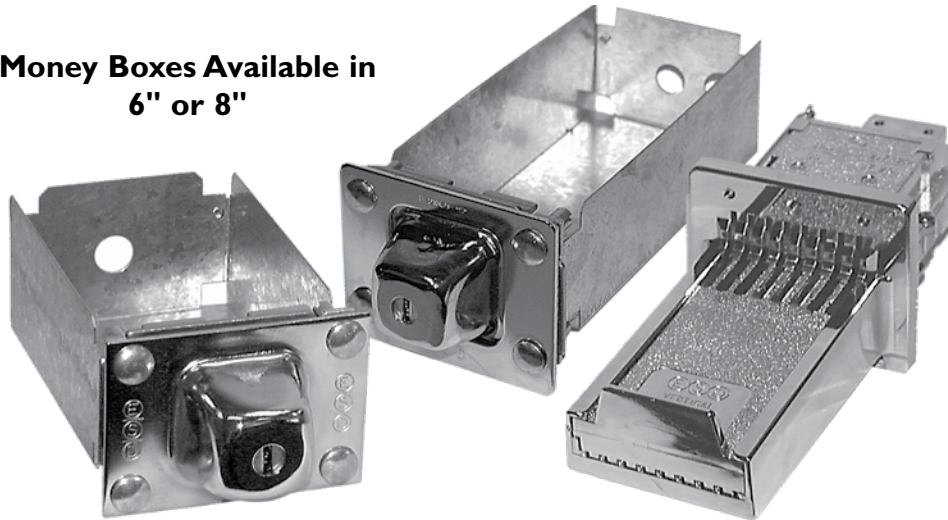
**Money Boxes Available in
6" or 8"**



ESD-TUBULAR



ESD-XD



ESD-XEP



MEDECO

Prices below include 100% keying
Specify keying in groups (K/A) or keying individually (K/I)

| ITEM# | ESD P/N |
|-------|--------------|
| 1 | V8-200-K-T |
| 2 | V8-200-K-XEP |
| 3 | V8-200-K-XD |
| 4 | V8-200-K-M |

| Symbol | Extra Keys: Lock |
|--------|---------------------|
| T | ESD-TUBULAR |
| XEP | ESD-XEP |
| XD | ESD-XD |
| M | MEDECO |

Standard pack is 20 to a carton.
Prices are subject to change without notice.



CALL TOLL FREE, USA and Canada 1-800-523-1510 • Fax 1-800-548-1638
270 Commerce Drive, Fort Washington, PA 19034 (215)628-0860 Fax (215)643-4623

Find us on the web @ www.esdcoin.com

©ESD 2017

VERTICAL 8[®] COIN KITS

GENERAL ELECTRIC FRONT LOAD MODEL# WCCH404VWN

Kit Contains: (1) Vertical 8 Coin Slide, (1) Standard 6" Money Box w/key
(1) Washer Extension, (1) Mounting Bolt



ESD-TUBULAR



ESD-XD



ESD-XEP



MEDECO

Specify keying in groups (K/A) or keying individually (K/I)

| ITEM# | ESD P/N |
|-------|---------------|
| 1 | V8-K-GEFL-T |
| 2 | V8-K-GEFL-XEP |
| 3 | V8-K-GEFL-XD |
| 4 | V8-K-GEFL-M |

| Symbol | Extra Keys: |
|--------|-------------|
| T | Lock |
| XEP | ESD-TUBULAR |
| XD | ESD-XEP |
| M | ESD-XD |
| | MEDECO |

Standard pack is 20 to a carton.
Prices are subject to change without notice.



CALL TOLL FREE, USA and Canada 1-800-523-1510 • Fax 1-800-548-1638
270 Commerce Drive, Fort Washington, PA 19034 (215)628-0860 Fax (215)643-4623
Find us on the web @ www.esdcoin.com

VERTICAL 8[®] COIN KITS

WHIRLPOOL J SERIES

Kit Contains: (1) Vertical 8 Coin Slide, (1) BGW Money Box w/key
(1) Washer or Dryer Extension, (1) Mounting Bolt



ESD-TUBULAR



ESD-XD



ESD-XEP



MEDECO

Specify keying in groups (K/A) or keying individually (K/I)

| ITEM# | ESD P/N |
|-------|----------|
| 1 | V8-K-T |
| 2 | V8-K-XEP |
| 3 | V8-K-XD |
| 4 | V8-K-M |

Symbol

T
XEP
XD
M

Extra Keys:

Lock
ESD-TUBULAR
ESD-XEP
ESD-XD
MEDECO

Standard pack is 20 to a carton.
Prices are subject to change without notice.



CALL TOLL FREE, USA and Canada 1-800-523-1510 • Fax 1-800-548-1638
270 Commerce Drive, Fort Washington, PA 19034 (215)628-0860 Fax (215)643-4623
Find us on the web @ www.esdcoin.com

©ESD 2017

VERTICAL 8[®] TOKEN KITS

SPEED QUEEN, GENERAL ELECTRIC, WHIRLPOOL, WASCOMAT, CONTINENTAL GIRBAU, HUEBSCH

Kit Contains: (1) Vertical 8 Token Slide, (1) Standard Money Box w/key
(1) Washer or Dryer Extension, (1) Mounting Bolt



ESD-TUBULAR



ESD-XD



ESD-XEP



MEDECO

Prices below include 100% keying
Specify keying in groups (K/A) or keying individually (K/I)

| ITEM# | ESD P/N |
|-------|-----------------|
| 1 | V8-K-T |
| 2 | V8-K-XEP |
| 3 | V8-K-XD |
| 4 | V8-K-M |

| Symbol | Extra Keys: |
|--------|-------------|
| T | Lock |
| XEP | ESD-TUBULAR |
| XD | ESD-XEP |
| M | ESD-XD |
| | MEDECO |

Standard pack is 20 to a carton.
Prices are subject to change without notice.



CALL TOLL FREE, USA and Canada 1-800-523-1510 • Fax 1-800-548-1638
270 Commerce Drive, Fort Washington, PA 19034 (215)628-0860 Fax (215)643-4623

Find us on the web @ www.esdcoin.com

©ESD 2017

VERTICAL 14[®] COIN KITS WHIRLPOOL J SERIES

Kit Contains: (1) Vertical 14 Coin Slide, (1) BGW Money Box w/key
(1) Washer or Dryer Extension, (1) Mounting Bolt



ESD-TUBULAR



ESD-XD



ESD-XEP



MEDECO

Prices below include 100% keying
Specify keying in groups (K/A) or keying individually (K/I)

| ITEM# | ESD P/N |
|-------|-----------|
| 1 | V14-K-T |
| 2 | V14-K-XEP |
| 3 | V14-K-XD |
| 4 | V14-K-M |

| Symbol | Extra Keys: |
|--------|-------------|
| T | Lock |
| XEP | ESD-TUBULAR |
| XD | ESD-XEP |
| M | ESD-XD |
| | MEDECO |

Standard pack is 20 to a carton.
Prices are subject to change without notice.



CALL TOLL FREE, USA and Canada 1-800-523-1510 • Fax 1-800-548-1638
270 Commerce Drive, Fort Washington, PA 19034 (215)628-0860 Fax (215)643-4623
Find us on the web @ www.esdcoin.com

©ESD 2017



CALL TOLL FREE, USA and Canada 1-800-523-1510 • Fax 1-800-548-1638
270 Commerce Drive, Fort Washington, PA 19034 (215)628-0860 Fax (215)643-4623

Find us on the web @ www.esdcoin.com

©ESD 2017



MONEY BOXES



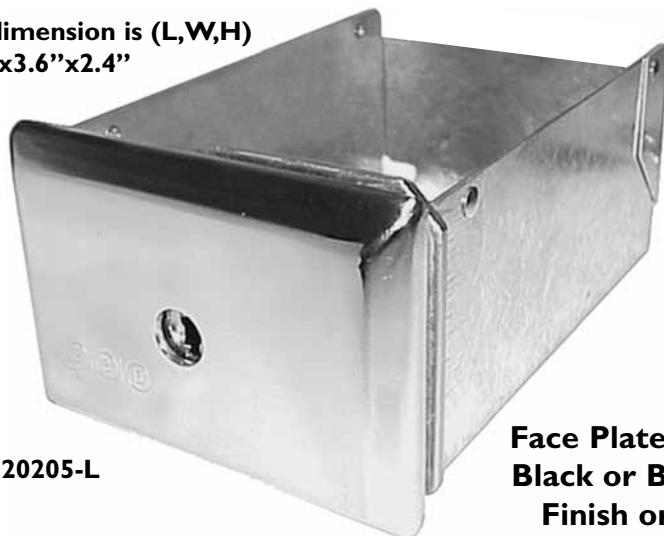
CALL TOLL FREE, USA and Canada 1-800-523-1510 • Fax 1-800-548-1638
270 Commerce Drive, Fort Washington, PA 19034 (215)628-0860 Fax (215)643-4623
Find us on the web @ www.esdcoin.com

©ESD 2017

ESD COINGARD® LMB 6" MONEY BOX WITH HIGH SECURITY LOCKS

Fits Most Washers, Single Dryers and Drying Tumblers

Approximate reference dimension is (L,W,H)
Coingard :5.5"x3.6"x2.4"



Holds Approximately
\$70.00 in Quarters



ESD-TUBULAR



ESD-XD

Tray: 20205-L

Face Plate Available in
Black or Blue Powder
Finish or Chrome



ESD-XEP



MEDECO

Specify keying in groups, keying alike (K/A) or keying individually (K/I)

| ITEM# | ESD P/N |
|-------|---------|
| 1 | LMB-T |
| 2 | LMB-XEP |
| 3 | LMB-XD |
| 4 | LMB-M |

| Symbol | Extra Keys: |
|--------|---------------------|
| T | Lock ESD-TUBULAR |
| XEP | ESD-XEP |
| XD | ESD-XD |
| M | MEDECO |

Standard pack is 20 to a carton.
Prices are subject to change without notice.



CALL TOLL FREE, USA and Canada 1-800-523-1510 • Fax 1-800-548-1638
270 Commerce Drive, Fort Washington, PA 19034 (215)628-0860 Fax (215)643-4623

Find us on the web @ www.esdcoin.com

©ESD 2017

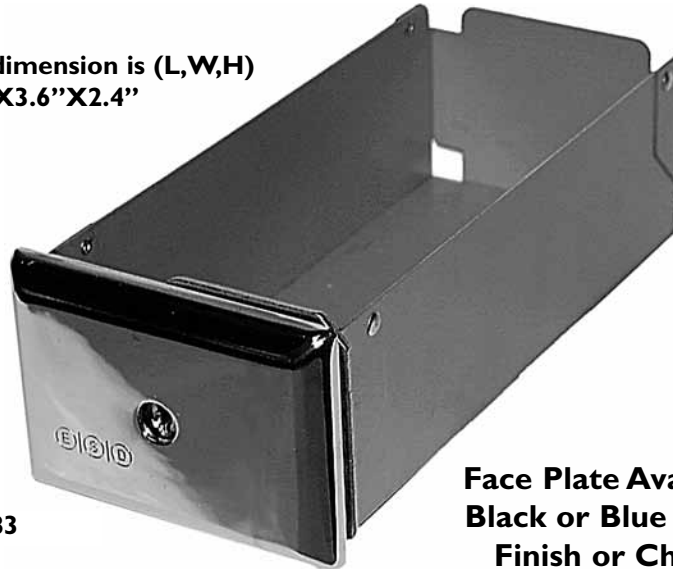
ESD COINGARD®

XL 8" MONEY BOX WITH HIGH SECURITY LOCKS

**Fits Most Front Load & certain Top Load Washers and Single & Drying Tumblers
(SPEED QUEEN, HUEBSCH, DEXTER, WASCOMAT, IPSO, PRIMUS PTO30NBC, PAN030XCM,
ADC Econowash)**

Approximate reference dimension is (L,W,H)
Coingard : 7.8"X3.6"X2.4"

**Holds
Approximately
\$130.00 in
Quarters**



Tray: 21883

**Face Plate Available in
Black or Blue Powder
Finish or Chrome**



ESD-TUBULAR



ESD-XD



ESD-XEP



MEDECO

Specify keying in groups, keying alike (K/A) or keying individually (K/I)

| ITEM# | ESD P/N |
|-------|------------|
| 1 | 71626-T |
| 2 | 72054-XEP |
| 3 | 71630-XD |
| 4 | 71629-M |

| Symbol | Extra Keys: |
|--------|---------------------|
| T | Lock ESD-TUBULAR |
| XEP | ESD-XEP |
| XD | ESD-XD |
| M | MEDECO |

Standard pack is 20 to a carton.
Prices are subject to change without notice.



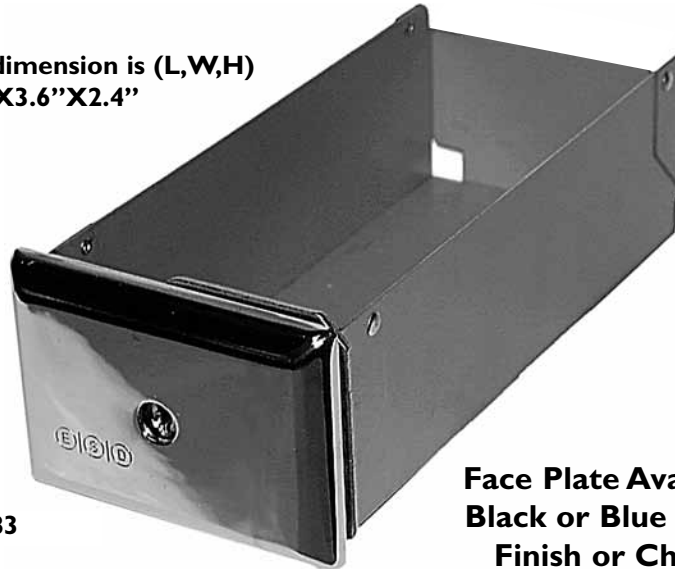
CALL TOLL FREE, USA and Canada 1-800-523-1510 • Fax 1-800-548-1638
270 Commerce Drive, Fort Washington, PA 19034 (215)628-0860 Fax (215)643-4623
Find us on the web @ www.esdcoin.com

ESD COINGARD® XL 8" MONEY BOX WITH HIGH SECURITY LOCKS

**Fits Most Front Load & certain Top Load Washers and Single & Drying Tumblers
MAYTAG, MAYTAG MFS 18/25, MAYTAG MFR 35#)**

Approximate reference dimension is (L,W,H)
Coingard : 7.8"X3.6"X2.4"

**Holds
Approximately
\$130.00 in
Quarters**



ESD-TUBULAR



ESD-XD

Tray: 21883



ESD-XEP



MEDECO

**Face Plate Available in
Black or Blue Powder
Finish or Chrome**

Specify keying in groups, keying alike (K/A) or keying individually (K/I)

| ITEM# | ESD P/N |
|-------|-----------|
| 1 | 72314-T |
| 2 | 72316-XEP |
| 3 | 72313-XD |
| 4 | 72315-M |

| Symbol | Extra Keys: Lock |
|--------|---------------------|
| T | ESD-TUBULAR |
| XEP | ESD-XEP |
| XD | ESD-XD |
| M | MEDECO |

Replacement locks for specific Tubular, XEP and XD codes are \$4.95 extra.

Replacement locks for specific MEDECO codes are \$8.95 extra.

ADDITIONAL LEAD TIME MAY BE REQUIRED ON REPLACEMENT LOCKS FOR SPECIFIC CODES

Standard pack is 20 to a carton.

Prices are subject to change without notice.



CALL TOLL FREE, USA and Canada 1-800-523-1510 • Fax 1-800-548-1638

270 Commerce Drive, Fort Washington, PA 19034 (215)628-0860 Fax (215)643-4623

Find us on the web @ www.esdcoin.com

©ESD 2017

ESD MACGARD®

BG 6" MONEY BOX WITH HIGH SECURITY LOCKS

Fits Most Washers and Single Dryers

Approximate reference dimension is (L,W,H)

Macgard:
5.5"x3.6"x2.3"

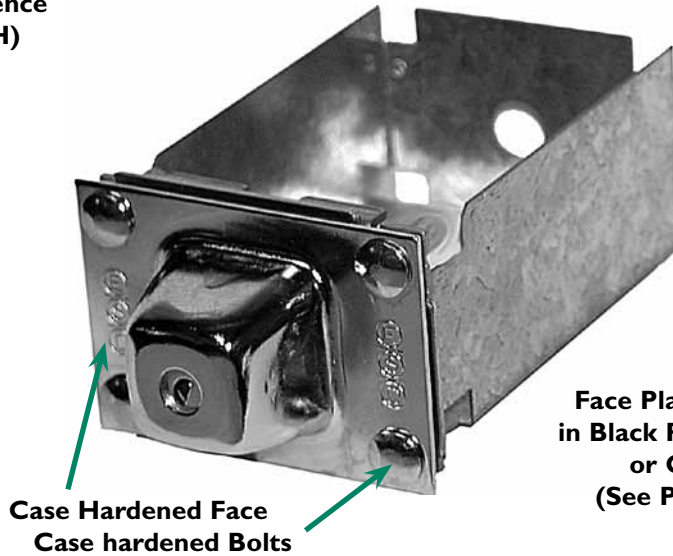
Tray: 20999



ESD-TUBULAR



ESD-XD



Case Hardened Face
Case hardened Bolts

Face Plate Available
in Black Powder Finish
or Chrome
(See Page MB-4)



ESD-XEP



MEDECO

Specify keying in groups, keying alike (K/A) or keying individually (K/I)

| ITEM# | ESD P/N |
|-------|-----------|
| 1 | BGLMB-T |
| 2 | BGLMB-XEP |
| 3 | BGLMB-XD |
| 4 | BGLMB-M |

Optional Security Plate \$3.15 additional, use part number 21859 (See picture on page A-8)

| Symbol | Extra Keys: Lock |
|--------|---------------------|
| T | ESD-TUBULAR |
| XEP | ESD-XEP |
| XD | ESD-XD |
| M | MEDECO |

Replacement locks for specific Tubular, XEP and XD codes are \$4.95 extra.

Replacement locks for specific MEDECO codes are \$8.95 extra.

ADDITIONAL LEAD TIME MAY BE REQUIRED ON REPLACEMENT LOCKS FOR SPECIFIC CODES

Standard pack is 20 to a carton.

Prices are subject to change without notice.



CALL TOLL FREE, USA and Canada 1-800-523-1510 • Fax 1-800-548-1638

270 Commerce Drive, Fort Washington, PA 19034 (215)628-0860 Fax (215)643-4623

Find us on the web @ www.esdcoin.com

©ESD 2017

ESD MACGARD®

BG 6" MONEY BOX

WITH HIGH SECURITY LOCKS

Fits Speed Queen, Top Load and Single Dryers

Approximate reference dimension is (L,W,H)

Macgard:
5.5"x3.6"x2.3"

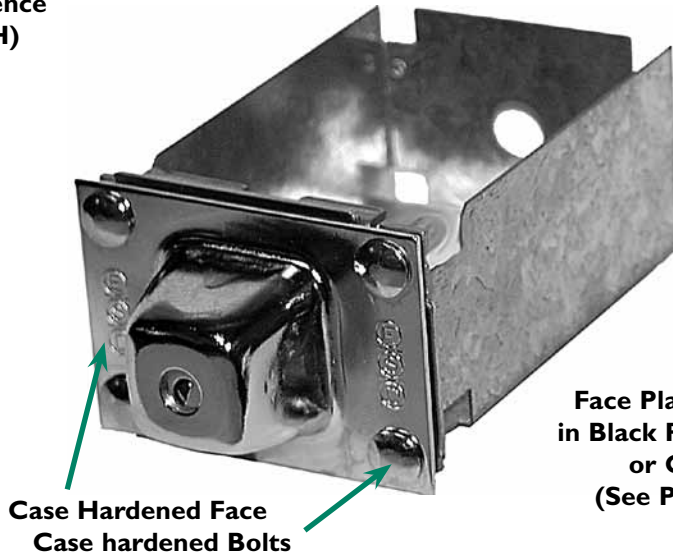
Tray: 20999



ESD-TUBULAR



ESD-XD



Case Hardened Face
Case hardened Bolts

Face Plate Available
in Black Powder Finish
or Chrome
(See Page MB-4)



ESD-XEP



MEDECO

Specify keying in groups, keying alike (K/A) or keying individually (K/I)

| ITEM# | ESD P/N |
|-------|---------|
| 1 | 72300-T |
| 2 | 72299 |
| 3 | 72298 |
| 4 | 72297 |

| Symbol | Extra Keys: Lock |
|--------|---------------------|
| T | ESD-TUBULAR |
| XEP | ESD-XEP |
| XD | ESD-XD |
| M | MEDECO |

Standard pack is 20 to a carton.
Prices are subject to change without notice.



CALL TOLL FREE, USA and Canada 1-800-523-1510 • Fax 1-800-548-1638
270 Commerce Drive, Fort Washington, PA 19034 (215)628-0860 Fax (215)643-4623

Find us on the web @ www.esdcoin.com

©ESD 2017

ESD DESIGNER MACGARD® BG 6" MONEY BOX WITH HIGH SECURITY LOCKS

Fits Most Washers and Single Dryers

Approximate reference dimension is (L,W,H)

Macgard:
5.5"x3.6"x2.3"

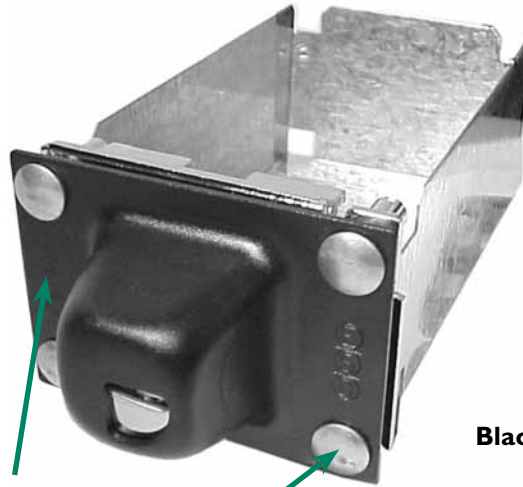
Tray: 20999



ESD-TUBULAR



ESD-XD



Case Hardened Face
Case hardened Bolts

Black Powder Finish
Face Plate



ESD-XEP



MEDECO

Specify keying in groups, keying alike (K/A) or keying individually (K/I)

| ITEM# | ESD P/N |
|-------|--------------|
| 1 | BGLMB-T-BL |
| 2 | BGLMB-XEP-BL |
| 3 | BGLMB-XD-BL |
| 4 | BGLMB-M-BL |

| Symbol | Extra Keys: Lock |
|--------|---------------------|
| T | ESD-TUBULAR |
| XEP | ESD-XEP |
| XD | ESD-XD |
| M | MEDECO |

Standard pack is 20 to a carton.
Prices are subject to change without notice.



CALL TOLL FREE, USA and Canada 1-800-523-1510 • Fax 1-800-548-1638
270 Commerce Drive, Fort Washington, PA 19034 (215)628-0860 Fax (215)643-4623

Find us on the web @ www.esdcoin.com

©ESD 2017

ESD MACGARD® BG XL 8" MONEY BOX WITH HIGH SECURITY LOCKS

Fits Most Washers, Stack Dryers, and Single Load Dryers

Approximate reference dimension is (L,W,H)
Macgard: 8.1"x3.6"x2.4"

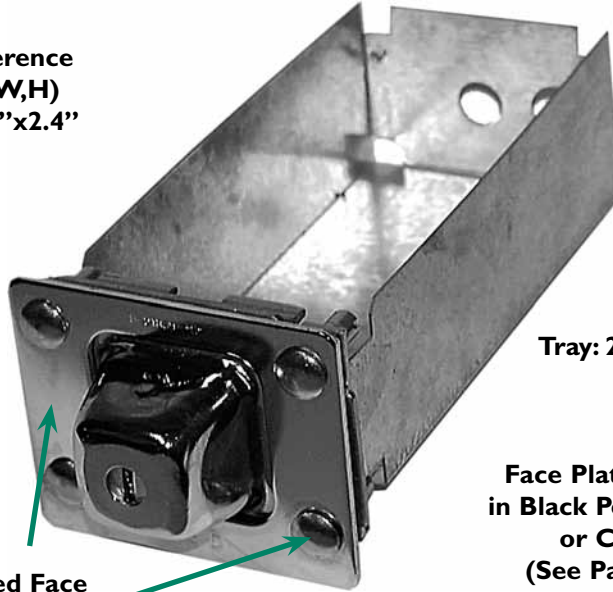
Holds Approximately
\$130.00 in Quarters



ESD-TUBULAR



ESD-XD



Case Hardened Face
Case hardened Bolts

Tray: 22044

Face Plate Available
in Black Powder Finish
or Chrome
(See Page MB-6)



ESD-XEP



MEDECO

Specify keying in groups, keying alike (K/A) or keying individually (K/I)

| ITEM# | ESD P/N |
|-------|-----------|
| 1 | 71935 |
| 2 | 71934-XEP |
| 3 | 71934-XD |
| 4 | 71934-M |

| Symbol | Extra Keys: |
|--------|---------------------|
| T | Lock ESD-TUBULAR |
| XEP | ESD-XEP |
| XD | ESD-XD |
| M | MEDECO |

Standard pack is 20 to a carton.
Prices are subject to change without notice.



CALL TOLL FREE, USA and Canada 1-800-523-1510 • Fax 1-800-548-1638
270 Commerce Drive, Fort Washington, PA 19034 (215)628-0860 Fax (215)643-4623

Find us on the web @ www.esdcoin.com

©ESD 2017

ESD MACGARD®

BG XL 8" MONEY BOX

WITH HIGH SECURITY LOCKS

Fits Speed Queen Washers, Stack Dryers and Single Load Dryers

Approximate reference dimension is (L,W,H)
Macgard: 8.1"x3.6"x2.4"

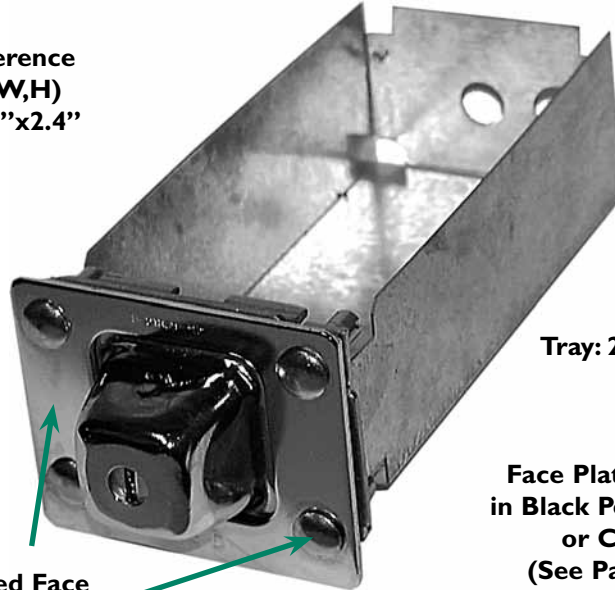
Holds Approximately
\$130.00 in Quarters



ESD-TUBULAR



ESD-XD



Tray: 22044



ESD-XEP



MEDECO

Face Plate Available
in Black Powder Finish
or Chrome
(See Page MB-6)

Case Hardened Face
Case hardened Bolts

Specify keying in groups, keying alike (K/A) or keying individually (K/I)

| ITEM# | ESD P/N |
|-------|---------|
| 1 | 72291 |
| 2 | 72290 |
| 3 | 72289 |
| 4 | 72287 |

| Symbol | Extra Keys: |
|--------|------------------|
| T | Lock ESD-TUBULAR |
| XEP | ESD-XEP |
| XD | ESD-XD |
| M | MEDECO |

Standard pack is 20 to a carton.
Prices are subject to change without notice.



CALL TOLL FREE, USA and Canada 1-800-523-1510 • Fax 1-800-548-1638
270 Commerce Drive, Fort Washington, PA 19034 (215)628-0860 Fax (215)643-4623

Find us on the web @ www.esdcoin.com

©ESD 2017

ESD MACGARD®

BG XL 8" MONEY BOX

WITH HIGH SECURITY LOCKS

Fits Continental Front Load EH020

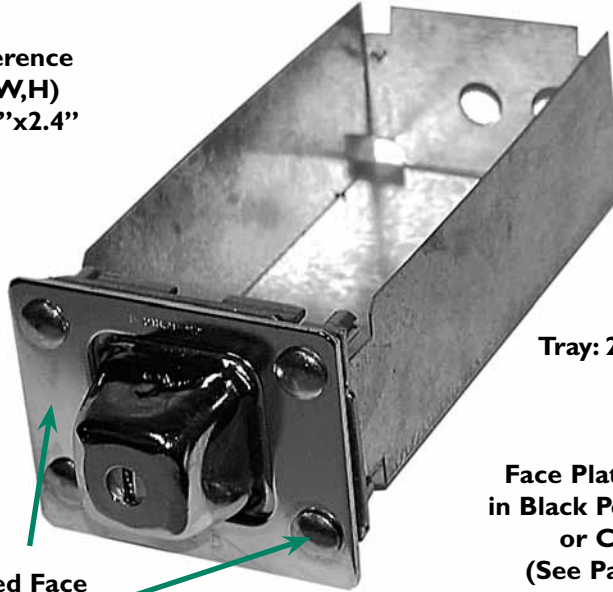
Approximate reference dimension is (L,W,H)
Macgard: 8.1"x3.6"x2.4"



ESD-TUBULAR



ESD-XD



Case Hardened Face
Case hardened Bolts

Tray: 22044

Face Plate Available
in Black Powder Finish
or Chrome
(See Page MB-6)



ESD-XEP



MEDECO

Specify keying in groups, keying alike (K/A) or keying individually (K/I)

| ITEM# | ESD P/N |
|-------|-----------|
| 1 | 72306-T |
| 2 | 72306-XEP |
| 3 | 72306-XE |
| 4 | 72306 -M |

| Symbol | Extra Keys: Lock |
|--------|---------------------|
| T | ESD-TUBULAR |
| XEP | ESD-XEP |
| XD | ESD-XD |
| M | MEDECO |

Standard pack is 20 to a carton.
Prices are subject to change without notice.



CALL TOLL FREE, USA and Canada 1-800-523-1510 • Fax 1-800-548-1638
270 Commerce Drive, Fort Washington, PA 19034 (215)628-0860 Fax (215)643-4623

Find us on the web @ www.esdcoin.com

©ESD 2017

ESD DESIGNER MACGARD® BG XL 8" MONEY BOX WITH HIGH SECURITY LOCKS

Fits Most Washers, Stack Dryers, and Single Load Dryers

Approximate reference
dimension is (L,W,H)
Macgard: 8.1"x3.6"x2.4"

Tray: 22044

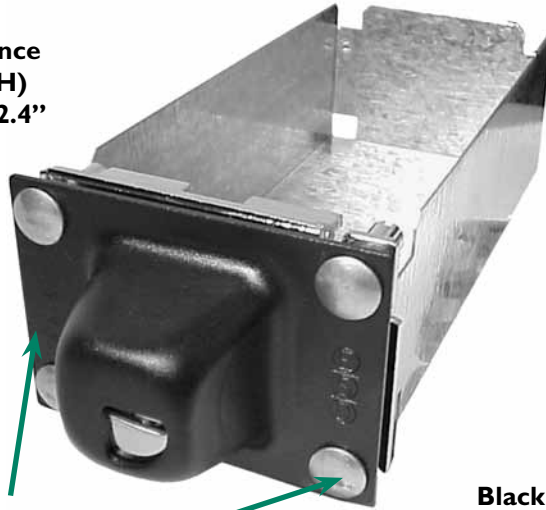


ESD-TUBULAR



ESD-XD

Case Hardened Face
Case hardened Bolts



Black Powder Finish
Face Plate



ESD-XEP



MEDECO

Specify keying in groups, keying alike (K/A) or keying individually (K/I)

| ITEM# | ESD P/N |
|-------|--------------|
| 1 | 71935-BL |
| 2 | 71934-XEP-BL |
| 3 | 71934-XD-BL |
| 4 | 71934-M-BL |

Extra Keys:

| Symbol | Lock |
|--------|-------------|
| T | ESD-TUBULAR |
| XEP | ESD-XEP |
| XD | ESD-XD |
| M | MEDECO |

Standard pack is 20 to a carton.
Prices are subject to change without notice.



CALL TOLL FREE, USA and Canada 1-800-523-1510 • Fax 1-800-548-1638
270 Commerce Drive, Fort Washington, PA 19034 (215)628-0860 Fax (215)643-4623
Find us on the web @ www.esdcoin.com

©ESD 2017

ESD MACGARD II® BGM MONEY BOX WITH HIGH SECURITY LOCKS (MAYTAG 700)

**Fits Maytag Washers and Single Dryers Manufactured after 8/96,
MVW18CS, AD ES 35x35**

Approximate reference
dimension is (L,W,H)
Macgard: 7.0"x3.6"x3.3"

Tray: 23147

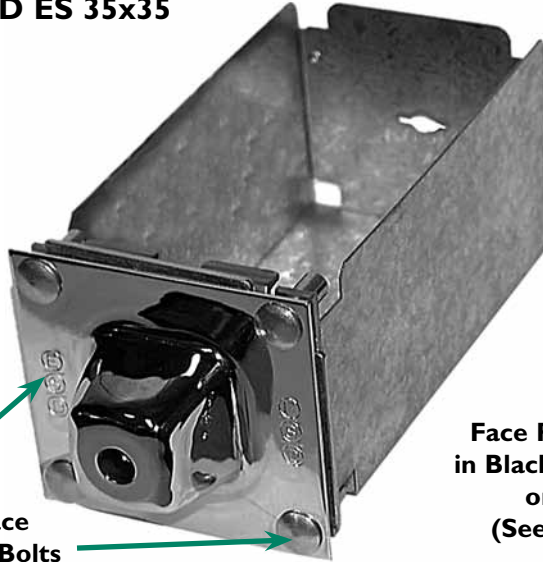


ESD-TUBULAR



ESD-XD

Case Hardened Face
Case hardened Bolts



Face Plate Available
in Black Powder Finish
or Chrome
(See Page MB-8)



ESD-XEP



MEDECO

Specify keying in groups, keying alike (K/A) or keying individually (K/I)

| ITEM# | ESD P/N |
|-------|------------|
| 1 | 71942-T |
| 2 | 71942-XEP |
| 3 | 71942-XD |
| 4 | 71942-M |

| Symbol | Extra Keys: |
|--------|---------------------|
| T | Lock ESD-TUBULAR |
| XEP | ESD-XEP |
| XD | ESD-XD |
| M | MEDECO |

Standard pack is 20 to a carton.
Prices are subject to change without notice.



CALL TOLL FREE, USA and Canada 1-800-523-1510 • Fax 1-800-548-1638
270 Commerce Drive, Fort Washington, PA 19034 (215)628-0860 Fax (215)643-4623

Find us on the web @ www.esdcoin.com

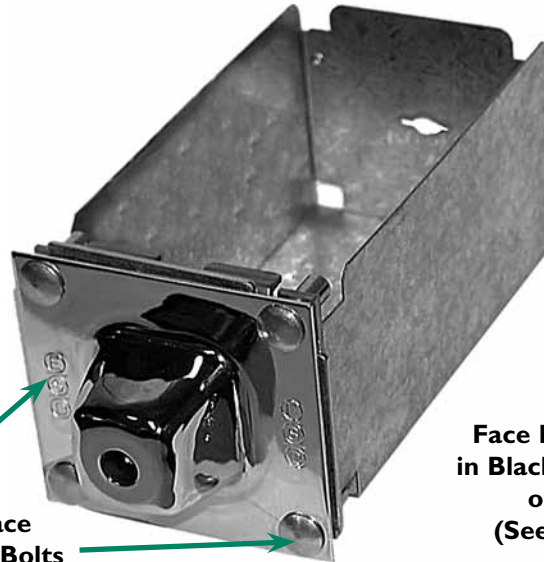
©ESD 2017

ESD MACGARD II® BGM MONEY BOX WITH HIGH SECURITY LOCKS (MAYTAG MFR)

Fits MFR 30# and 50# Machines

Approximate reference dimension is (L,W,H)
Macgard: 7.0"x3.6"x3.3"

Tray: 23147



ESD-TUBULAR



ESD-XD

Case Hardened Face
Case hardened Bolts



ESD-XEP



MEDECO

Face Plate Available
in Black Powder Finish
or Chrome
(See Page MB-8)

Specify keying in groups, keying alike (K/A) or keying individually (K/I)

| ITEM# | ESD P/N |
|-------|------------------|
| 1 | 72268-T |
| 2 | 72268-XEP |
| 3 | 72268-XD |
| 4 | 72268-M |

| Symbol | Extra Keys: Lock |
|--------|---------------------|
| T | ESD-TUBULAR |
| XEP | ESD-XEP |
| XD | ESD-XD |
| M | MEDECO |

Standard pack is 20 to a carton.
Prices are subject to change without notice.



CALL TOLL FREE, USA and Canada 1-800-523-1510 • Fax 1-800-548-1638
270 Commerce Drive, Fort Washington, PA 19034 (215)628-0860 Fax (215)643-4623

Find us on the web @ www.esdcoin.com

©ESD 2017

ESD DESIGNER MACGARD II® BGM MONEY BOX WITH HIGH SECURITY LOCKS (MAYTAG 700)

Fits Most Washers, Stack Dryers and Single Load Dryers

Approximate reference
dimension is (L,W,H)
Macgard: 7.0"x3.6"x3.3"

Tray: 23147

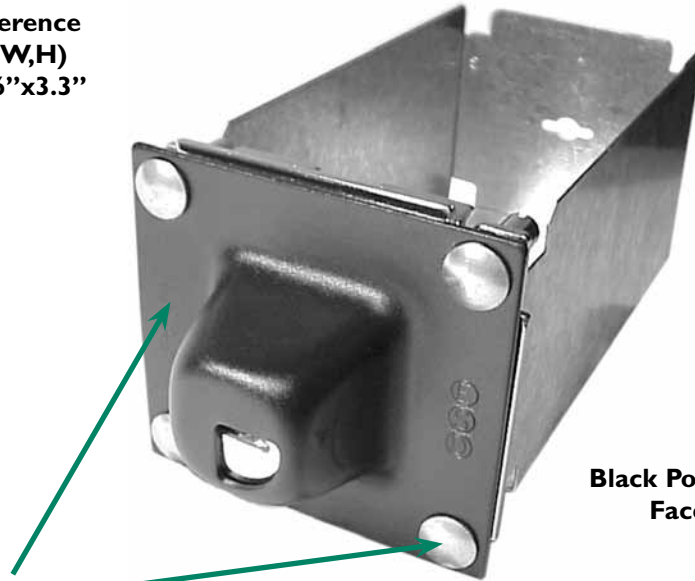


ESD-TUBULAR



ESD-XD

**Case Hardened Face
Case hardened Bolts**



**Black Powder Finish
Face Plate**



ESD-XEP



MEDECO

Specify keying in groups, keying alike (K/A) or keying individually (K/I)

| ITEM# | ESD P/N |
|-------|--------------|
| 1 | 71942-T-BL |
| 2 | 71942-XEP-BL |
| 3 | 71942-XD-BL |
| 4 | 71942-M-BL |

| Symbol | Extra Keys: Lock |
|--------|---------------------|
| T | ESD-TUBULAR |
| XEP | ESD-XEP |
| XD | ESD-XD |
| M | MEDECO |

Standard pack is 20 to a carton.
Prices are subject to change without notice.



CALL TOLL FREE, USA and Canada 1-800-523-1510 • Fax 1-800-548-1638
270 Commerce Drive, Fort Washington, PA 19034 (215)628-0860 Fax (215)643-4623

Find us on the web @ www.esdcoin.com

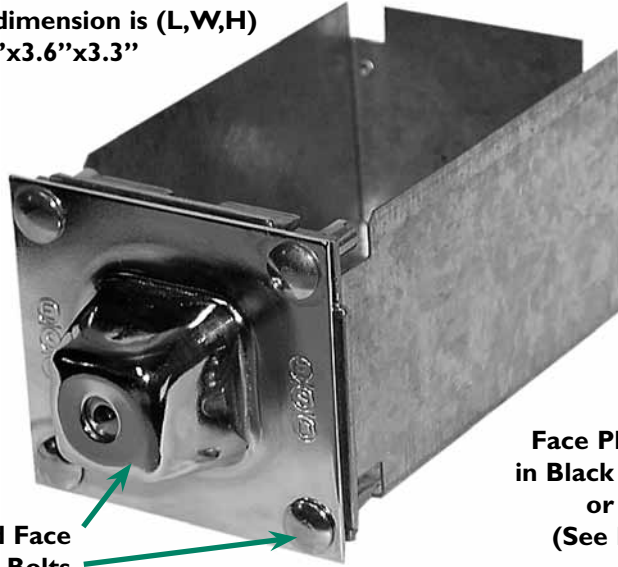
©ESD 2017

ESD MACGARD II® BGW MONEY BOX WITH HIGH SECURITY LOCKS

Fits Whirlpool Washers and Dryers Pre 07/00

Approximate reference dimension is (L,W,H)
Macgard : 6.3"x3.6"x3.3"

Tray: 20982



ESD-TUBULAR



ESD-XD

**Case Hardened Face
Case hardened Bolts**



ESD-XEP



MEDECO

**Face Plate Available
in Black Powder Finish
or Chrome
(See Page MB-8)**

Specify keying in groups, keying alike (K/A) or keying individually (K/I)

| ITEM# | ESD P/N |
|-------|------------|
| 1 | 72199-T |
| 2 | 72199-XEP |
| 3 | 72199-XD |
| 4 | 72199-M |

| Symbol | Extra Keys: |
|--------|---------------------|
| T | Lock ESD-TUBULAR |
| XEP | ESD-XEP |
| XD | ESD-XD |
| M | MEDECO |

Standard pack is 20 to a carton.
Prices are subject to change without notice.



CALL TOLL FREE, USA and Canada 1-800-523-1510 • Fax 1-800-548-1638
270 Commerce Drive, Fort Washington, PA 19034 (215)628-0860 Fax (215)643-4623

Find us on the web @ www.esdcoin.com

©ESD 2017

ESD MACGARD II® BGW MONEY BOX WITH HIGH SECURITY LOCKS

Fits WHIRLPOOL “J” Series Washers and Single Dryers Post 07/00, AD22, 333, 444, AD45X2R, Wascomat STK TD 45x45, Wascomat Compass and Crossover, Dexter WCAD60 and 80 KCS, Dexter T90, LG Top Load Washer and Single Dryer

Approximate reference dimension is (L,W,H)
Macgard:
7.0”x3.6”x3.3”



ESD-TUBULAR



ESD-XD

**Case Hardened Face
Case hardened Bolts**



ESD-XEP



MEDECO

Specify keying in groups, keying alike (K/A) or keying individually (K/I)

| ITEM# | ESD P/N |
|-------|-----------|
| 1 | 72101-T |
| 2 | 72101-XEP |
| 3 | 72101-XD |
| 4 | 72101-M |

| Symbol | Extra Keys: |
|--------|--------------|
| T | Lock TUBULAR |
| XE | XE |
| XD | ESD-XD |
| M | MEDECO |

Standard pack is 20 to a carton.
Prices are subject to change without notice.



CALL TOLL FREE, USA and Canada 1-800-523-1510 • Fax 1-800-548-1638
270 Commerce Drive, Fort Washington, PA 19034 (215)628-0860 Fax (215)643-4623
Find us on the web @ www.esdcoin.com

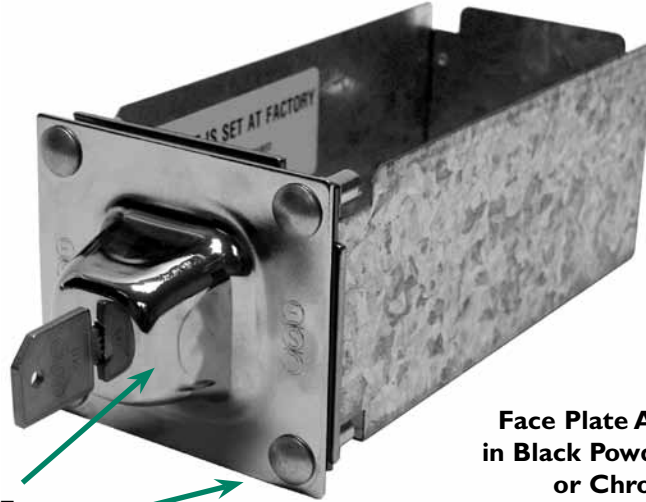
©ESD 2017

ESD BGN Q MONEY BOX WITH HIGH SECURITY LOCKS

**Fits Speed Queen Small Chassis Washer/Dryer with Model # Ending in "2", Speed Queen 40+ #
Fits Ipso Washer post mfg. date 07/14**

Approximate reference
dimension is (L,W,H)
Macgard: 8.0"x3.6"x3.3"

Tray: 22897



ESD-TUBULAR



ESD-XD



ESD-XEP



MEDECO

Face Plate Available
in Black Powder Finish
or Chrome
(See Page MB-8)

Case Hardened Face
Case hardened Bolts

Specify keying in groups, keying alike (K/A) or keying individually (K/I)

| ITEM# | ESD P/N |
|-------|-----------|
| 1 | 72303-T |
| 2 | 72303-XEP |
| 3 | 72303-XD |
| 4 | 72303-M |

| Symbol | Extra Keys: |
|--------|---------------------|
| T | Lock ESD-TUBULAR |
| XEP | ESD-XEP |
| XD | ESD-XD |
| M | MEDECO |

Standard pack is 20 to a carton.
Prices are subject to change without notice.



CALL TOLL FREE, USA and Canada 1-800-523-1510 • Fax 1-800-548-1638
270 Commerce Drive, Fort Washington, PA 19034 (215)628-0860 Fax (215)643-4623
Find us on the web @ www.esdcoin.com

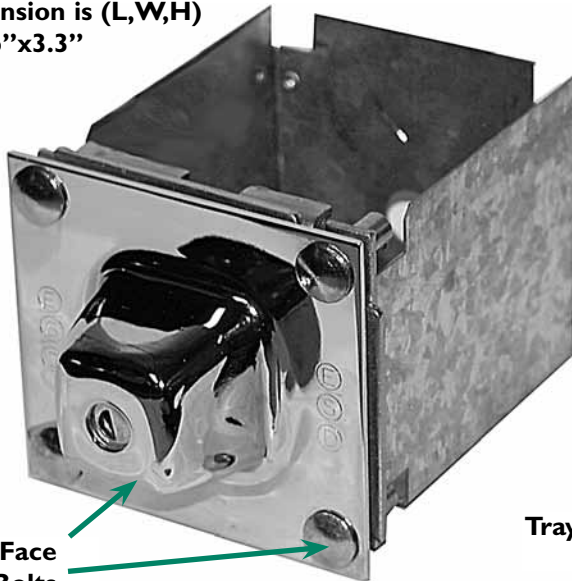
©ESD 2017

ESD MACGARD II® BGN MONEY BOX WITH HIGH SECURITY LOCKS

Fits Sears (Kenmore) and older Whirlpool Equipment

Approximate reference dimension is (L,W,H)

Macgard : 4.0"x3.6"x3.3"



ESD-TUBULAR



ESD-XD

**Case Hardened Face
Case hardened Bolts**



ESD-XEP



MEDECO

Tray: 21001

Prices below include 100% keying
Specify keying in groups, keying alike (K/A) or keying individually (K/I)

| ITEM# | ESD P/N |
|-------|-------------------|
| 1 | BGNSMB-T |
| 2 | BGNSMB-XEP |
| 3 | BGNSMB-XD |
| 4 | BGNSMB-M |

Symbol

T
XEP
XD
M

Extra Keys:

Lock
ESD-TUBULAR
ESD-XEP
ESD-XD
MEDECO

Standard pack is 20 to a carton.
Prices are subject to change without notice.



CALL TOLL FREE, USA and Canada 1-800-523-1510 • Fax 1-800-548-1638
270 Commerce Drive, Fort Washington, PA 19034 (215)628-0860 Fax (215)643-4623

Find us on the web @ www.esdcoin.com

©ESD 2017



LOCKS & SHAFTS



CALL TOLL FREE, USA and Canada 1-800-523-1510 • Fax 1-800-548-1638
270 Commerce Drive, Fort Washington, PA 19034 (215)628-0860 Fax (215)643-4623
Find us on the web @ www.esdcoin.com

©ESD 2017

REPLACEMENT KEY QUICK VIEW SHEET

| Key Type Abbreviation | Description |
|--------------------------|-------------|
| TK | Tubular Key |
| RK | Cam III Key |
| XK | XE Key |
| XEPK | XEP Key |
| XDK | XD Key |
| MK | Medeco |

When placing a replacement key order use the Key Type Abbreviation as the part number along with the actual key code. For example: TK code at #800

Key cutting policy:

- Replacement keys orders are processed on Tuesdays and Fridays of each week.
- Replacement keys are sold only to the original purchaser



CALL TOLL FREE, USA and Canada 1-800-523-1510 • Fax 1-800-548-1638
270 Commerce Drive, Fort Washington, PA 19034 (215)628-0860 Fax (215)643-4623

Find us on the web @ www.esdcoin.com

©ESD 2017

MAYTAG LOCK & SHAFT QUICK VIEW SHEET

As of March 1, 2017

| Maytag Model # | ESD P/N | Shaft | Shaft Length | Shaft Orientation | Catalog Page |
|--|------------------------|----------------|----------------|-------------------|--------------|
| MLE(G)24PD | MLEG24PD & 72234 | 22774 | 9.00" | 1/4 | L-32 |
| MLE19/MLG19PD & MLE15/MLG15PD | 22134- or 22133- | 22134 22133 | 8.00" 9.00" | 1/4 360° | L-18 |
| MLE23PDHS | 22134 | | 9.25" | 360° | L-18 |
| MDE23PD/I1PD MDG23PD/I3PD/27PD | MD23 | 20895 | 11.75" | 1/4 | L-17 |
| MDG31, 51, 77 | 71630 | | | | MB-3 |
| MDG33, 35, 52, 78 PD | 71630 | | | | MB-3 |
| MLG23PDHS, MKE20PD, MLG24PD | 72234-XEP | | 9.00" | 1/4 | L-22 |
| MLG32PD, MDG75, MDG76, MLG31PC | 72155 | 22609 | 12.25" | 1/4 | L-22 |
| MLG33, 35, 52 PD | 71630 | | | | MB-3 |
| MAT10/LA23CD | CT26 | 21466 | 8.50" | 1/4 | L-30 |
| MDG32PC, MLG45 | MA30 | 21467 | 12.25" | 1/4 | L-21 |
| MDE32 | MA30 | 21467 | 12.25" | 1/4 | L-21 |
| MDG30 & MDG50 (MC&PC) | LMB | | | | MB-1 |
| MFR (MC, PC, PD) 18, 25 | 71630 | | | | MB-3 |
| MFR80 (MC, PC, PD) 60, MHN30 | 71942 | | | | MB-11 |
| MAT12, 14, 17 (PD, PS, CS)/ MAH20 (PD, PS) MDE/MDG14 & MDE/MDG16, MDE 22PD, MAH 22PD, MAT 14CS, MDG 17PD | 71942 | | | | MB-11 |
| MAT10, MAT23, DG19, DG26, MCG10 (CS) | 0500 | 20229 | 4.75" | 1/4 | L-16 |
| MHN30PD | 71942 | | | | MB-11 |
| CGT8000 | 72338 | 22774 | | 1/4 | L-20 |
| CET8000 | 72339 | 22209 | | 360° | L-20 |
| MFR 30, 50 (PD) | 72268 | | | | MB-12 |
| MFS 18, 25, 35 (PD) | 72313 | | | | MB-2 |
| CHW9050 | 72101 | | | | MB-15 |
| CE(G)D9050 | 72101 | | | | MB-15 |

When ordering above part numbers please specify lock type found on respective pages.

CALL TOLL FREE, USA and Canada 1-800-523-1510 • Fax 1-800-548-1638
270 Commerce Drive, Fort Washington, PA 19034 (215)628-0860 Fax (215)643-4623

Find us on the web @ www.esdcoin.com



©ESD 2017

AMERICAN DRYER LOCK & SHAFT QUICK VIEW SHEET

| American Dryer Model # | ESD P/N | Shaft | Shaft Length | Shaft Orientation | Catalog Page |
|---|---------------------|---------------------|-----------------|-------------------|---------------------|
| AD333,AD444,AD22 | 71942 | | | | MB-11 |
| ES3535 | 71942 | | | | MB-11 |
| 30# ADG330&295 | MA30 | 21467 | 12.25" | 1/4 | L-21 |
| ADC/ AD-540 | 72109 | 22443 | 8.00" | 1/4 | L-22 |
| ADG360 Use 9/8" Lock | 72156-T | 22443 | 8.00" | 1/4 | L-23 |
| 215/230/236 - Wave Washer & Lock Collar | 72156 | 22381 | 6.75" | 1/4 | L-23 |
| AD235, ADG 235,AD4545 Use 9/8" Lock | 72156-T | 22381 | 6.75" | 1/4 | L-23 |
| AD530 (Stack) - Requires Two Shafts | 72154 & 72155 | 22608 & 22609 | 8.00" 12.00" | 1/4 1/4 | L-22 L-22 |
| AD320, 330, 430D, 26 | 72155 | 22609 | 12.00" | 1/4 | L-22 |
| AD15, 25, 30, 50 | LMB | | | | MB-1 |
| AD295 (Maytag) | 72155 | 22609 | 12.00" | | L-22 |
| UD330 (Unimac) | MA30 | 21467 | 12.25" | | L-21 |
| AD23CD/AD26CD | CT26 | 21466 | 8.25" | | L-20 |
| AD24 | 72088 | 72088 | 6.50" | 360° | L-24 |
| AD285 | LMB | | | | MB-1 |
| AD75 | 04078ET | 22443 | 8.00" | 1/4 | Contact Salesperson |
| SL20 | LMB | | | | MB-1 |
| SL31, 50, 75,3131 | 71630 | | | | MB-3 |
| SL2020 | 71942 | | | | MB-11 |

WHIRLPOOL LOCK & SHAFT QUICK VIEW SHEET

| Whirlpool Model # | ESD P/N | Shaft | Shaft Length | Shaft Orientation | Catalog Page |
|-------------------|---------|-------|--------------|-------------------|--------------|
| CGT8000 | 72338 | 22774 | | 1/4 | L-20 |
| CET8000 | 72339 | 22209 | | 360° | L-20 |
| CE(G)D9050 | 72101 | | | | MB-15 |

When ordering above part numbers please specify lock type found on respective pages.

CALL TOLL FREE, USA and Canada 1-800-523-1510 • Fax 1-800-548-1638
270 Commerce Drive, Fort Washington, PA 19034 (215)628-0860 Fax (215)643-4623

Find us on the web @ www.esdcoin.com



©ESD 2017

SPEED QUEEN LOCK & SHAFT QUICK VIEW SHEET

| Speed Queen Model # | ESD P/N | Shaft | Shaft Length | Shaft Orientation | Catalog Page |
|--|---------|-------|--------------|-------------------|--------------|
| 26# - 28BG, 28BE, 30# - 30A30, 30BG, 30CG, 30CE, 30EG 50# - 37A30, 37X30, 37BG, 37CG, 37CE, 37EG | 0700 | 20531 | 7.12" | 360° | L-25 |
| SUPER 20 / 2 SL | 0100 | 20819 | 14.43" | 360° | L-26 |
| SUPER 20 CL | 0100SLM | | | | Call |

HUEBSCH LOCK & SHAFT QUICK VIEW SHEET

| Huebsch Model # | ESD P/N | Shaft | Shaft Length | Shaft Orientation | Catalog Page |
|-----------------|---------|-------|--------------|-------------------|--------------|
| STD32DG | 21583 | 21785 | 10.25" | 1/4 | L-27 |

MILNOR LOCK & SHAFT QUICK VIEW SHEET

| Milnor Model # | ESD P/N | Shaft | Shaft Length | Shaft Orientation | Catalog Page |
|----------------|---------|-------|--------------|-------------------|--------------|
| 30015CWE 35# | 71621 | 20276 | 14.25" | 360° | L-28 |

**When ordering above part numbers please specify
lock type found on respective pages.**



CALL TOLL FREE, USA and Canada 1-800-523-1510 • Fax 1-800-548-1638
270 Commerce Drive, Fort Washington, PA 19034 (215)628-0860 Fax (215)643-4623
Find us on the web @ www.esdcoin.com

©ESD 2017

DEXTER LOCK & SHAFT - QUICK VIEW SHEET

| Dexter Model # | ESD P/N | Shaft | Shaft Length | Shaft Orientation | Catalog Page |
|------------------------------|---------|-------|--------------|-------------------|--------------|
| Old Style Double Load Washer | 0800 | 22420 | 1.35" | 360° | L-29 |
| DNH,DZ | 0850 | 22017 | 5.50" | 360° | L-29 |
| WCAD 60, 80 | 72101 | | | | MB-15 |
| T90 | 72101 | | | | MB-15 |
| T-350 | 72054 | | | | MB-3 |
| T-450 | 72054 | | | | MB-3 |
| T-750 | 72101 | | | | MB-15 |
| T-950 | 72101 | | | | MB-15 |
| T-1450 | 72101 | | | | MB-15 |
| T-300 | 72054 | | | | MB-3 |
| T-400 | 72054 | | | | MB-3 |
| T-600 | 72054 | | | | MB-3 |
| T-900 | 72101 | | | | MB-15 |
| T-1200 | 72101 | | | | MB-15 |
| DCTD-T30, DCWD-T55,T80 | 72054 | | | | MB-3 |
| DCBD-T30, T50 & T80 | 72101 | | | | MB-15 |
| DDAD-T30X2 & DDBD-T50X2 | | | | | MB-15 |

WASCOMAT LOCK & SHAFT - QUICK VIEW SHEET

| Wascomat Model # | ESD P/N | Shaft | Shaft Length | Shaft Orientation | Catalog Page |
|------------------|---------|----------------|-----------------|-------------------|------------------------|
| WDA 540 | 72109 | 21466 21467 | 8.25" 12.25" | 1/4 1/4 | L-20-CT26 L-21-MA30 |
| WDA 330 | MA30 | 21467 | 12.25" | 1/4 | L-21 |
| Compass | 72101 | | | | MB-15 |
| Crossover | 72101 | | | | MB-15 |

CONTINENTAL GIRBAU - QUICK VIEW SHEET

| Continental Model # | ESD P/N | Shaft | Shaft Length | Shaft Orientation | Catalog Page |
|---|---------|-------|--------------|-------------------|--------------|
| RMG40X, 55X, EH060x, EH090X, RMG070X | 72303 | | | | MB-16 |
| EH020, 030, 040, 055, 066 | 71630 | | | | MB-3 |

When ordering above part numbers please specify lock type found on respective pages.

CALL TOLL FREE, USA and Canada 1-800-523-1510 • Fax 1-800-548-1638
270 Commerce Drive, Fort Washington, PA 19034 (215)628-0860 Fax (215)643-4623
Find us on the web @ www.esdcoin.com



©ESD 2017

TUBULAR SERVICE DOOR LOCKS MODEL 0400ET (1/4 TURN)

Industry Standard Codes for Speed Queen, Whirlpool, GE



Cams are 100%

| ITEM# | ESD P/N |
|-------|------------|
| I | 0400ET |

Industry Standard Codes are:

| | | |
|-------------|-----------|------|
| Speed Queen | Whirlpool | GE |
| #800 | #777 | #100 |
| 100% | 100% | 100% |

**Individual bag w/ lock hardware & cam, packaged in units of 25
Keys packed in bags of 25 units.**

| Manufacturer | Cam Pin |
|---------------|---------|
| Speed Queen | 20724 |
| Whirlpool | 21060 |
| GE | 20724 |
| GE "J" Series | 21060 |

Prices are subject to change without notice.

CALL TOLL FREE, USA and Canada 1-800-523-1510 • Fax 1-800-548-1638
270 Commerce Drive, Fort Washington, PA 19034 (215)628-0860 Fax (215)643-4623
Find us on the web @ www.esdcoin.com



©ESD 2017

TUBULAR SERVICE DOOR LOCKS MODEL 0400ET (1/4 TURN)

Industry Standard Code ZB7 for Maytag



| ITEM# | ESD P/N |
|-------|------------|
| I | 0400ET |

NOTE: Maytag standard codes ZB7

Packaged in units of 25

Prices are subject to change without notice.



CALL TOLL FREE, USA and Canada 1-800-523-1510 • Fax 1-800-548-1638
270 Commerce Drive, Fort Washington, PA 19034 (215)628-0860 Fax (215)643-4623

Find us on the web @ www.esdcoin.com

©ESD 2017

TUBULAR SERVICE DOOR LOCKS MODEL 0400ET (1/4 TURN)



See page L-33 for
Cam Types

| ITEM# | ESD P/N |
|-------|------------|
| I | 0400ET |

NON INDUSTRY STANDARD CODES

Packaged in units of 25

Symbol **Extra Keys:**
ET Lock
 ESD-TUBULAR

See Page L-33 for Cam Type

ADDITIONAL LEADTIME MAY BE REQUIRED ON REPLACEMENT LOCKS FOR SPECIFIC CODES.

Prices are subject to change without notice.

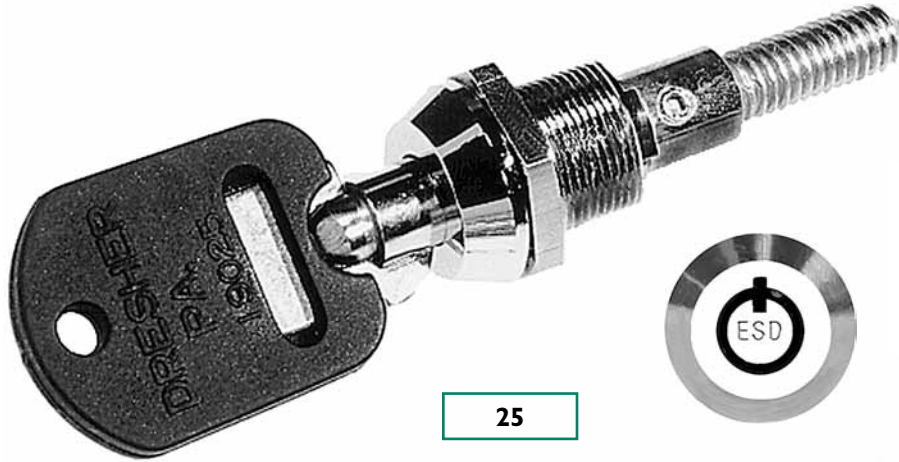


CALL TOLL FREE, USA and Canada 1-800-523-1510 • Fax 1-800-548-1638
270 Commerce Drive, Fort Washington, PA 19034 (215)628-0860 Fax (215)643-4623

Find us on the web @ www.esdcoin.com

©ESD 2017

TUBULAR SERVICE DOOR LOCKS MODEL 0300ET (FULL TURN)



Shaft No. 20516
OR
Shaft No. 20847

See page L-36 for
Shaft length

Specify keying in groups (K/A)
Available Groups Only

| ITEM# | ESD P/N |
|-------|------------|
| I | 0300ET |

Symbol **Extra Keys:**
ET Lock
 ESD-TUBULAR

ADDITIONAL LEADTIME MAY BE REQUIRED ON REPLACEMENT LOCKS FOR SPECIFIC CODES.

Prices are subject to change without notice.



CALL TOLL FREE, USA and Canada 1-800-523-1510 • Fax 1-800-548-1638
270 Commerce Drive, Fort Washington, PA 19034 (215)628-0860 Fax (215)643-4623

Find us on the web @ www.esdcoin.com

©ESD 2017

4 WAY PULL LOCK 0300ET-4WP



Shaft No. 20516
OR
Shaft No. 20847

See page L-36
for shaft length

Specify keying in groups, keyed alike (K/A) or keying individually (K/I)

| ITEM# | ESD P/N |
|-------|------------------|
| I | 0300ET *72121 |

Symbol
ET

Extra Keys:
Lock
ESD-TUBULAR

Prices are subject to change without notice.



CALL TOLL FREE, USA and Canada 1-800-523-1510 • Fax 1-800-548-1638
270 Commerce Drive, Fort Washington, PA 19034 (215)628-0860 Fax (215)643-4623

Find us on the web @ www.esdcoin.com

©ESD 2017

XEP SERVICE DOOR LOCKS MODEL 0400XEP (1/4 TURN)



| ITEM# | ESD P/N |
|-------|------------|
| I | 0400XEP |

Symbol
XEP

Extra Keys:
Lock
ESD-XEP

ADDITIONAL LEADTIME MAY BE REQUIRED ON REPLACEMENT LOCKS FOR SPECIFIC CODES.

Prices are subject to change without notice.



CALL TOLL FREE, USA and Canada 1-800-523-1510 • Fax 1-800-548-1638
270 Commerce Drive, Fort Washington, PA 19034 (215)628-0860 Fax (215)643-4623

Find us on the web @ www.esdcoin.com

©ESD 2017

ESD-XD SERVICE DOOR LOCKS MODEL 0400XD (1/4 TURN)



| ITEM# | ESD P/N |
|-------|---------|
| I | 0400XD |

Symbol
XD

Extra Keys:
Lock
ESD-XD

ADDITIONAL LEADTIME MAY BE REQUIRED ON REPLACEMENT LOCKS FOR SPECIFIC CODES.

Prices are subject to change without notice.

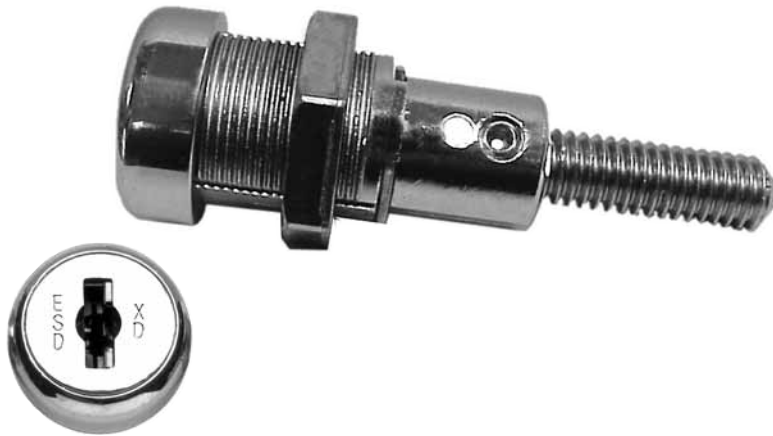


CALL TOLL FREE, USA and Canada 1-800-523-1510 • Fax 1-800-548-1638
270 Commerce Drive, Fort Washington, PA 19034 (215)628-0860 Fax (215)643-4623

Find us on the web @ www.esdcoin.com

©ESD 2017

SERVICE DOOR LOCKS MODEL 0300XD (FULL TURN)



Shaft No. 20516
OR
Shaft No. 20847

See page L-36 for
shaft length

| ITEM# | ESD P/N |
|-------|------------|
| I | 0300XD |

| | |
|--------|--------------------|
| Symbol | Extra Keys: |
| XD | Lock |
| | ESD-XD |

ADDITIONAL LEADTIME MAY BE REQUIRED ON REPLACEMENT LOCKS FOR SPECIFIC CODES.

Prices are subject to change without notice.

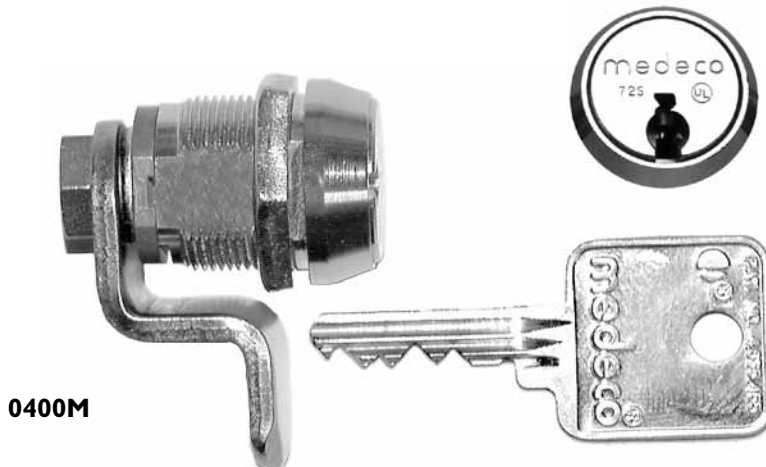


CALL TOLL FREE, USA and Canada 1-800-523-1510 • Fax 1-800-548-1638
270 Commerce Drive, Fort Washington, PA 19034 (215)628-0860 Fax (215)643-4623

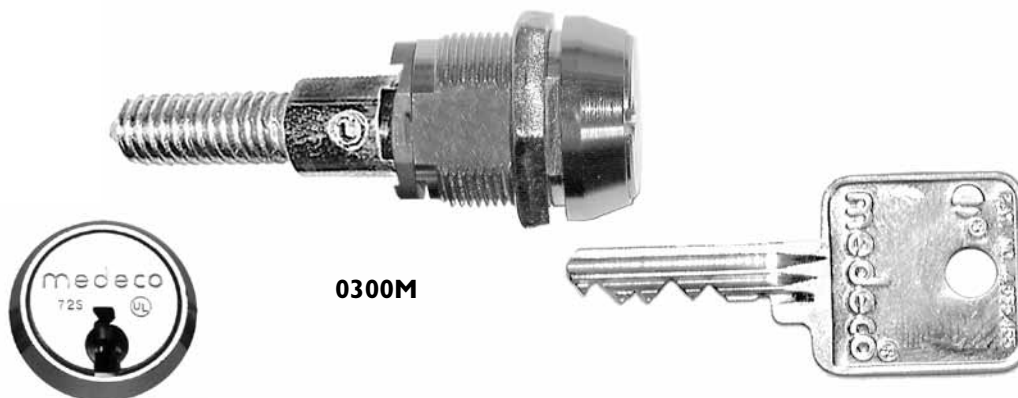
Find us on the web @ www.esdcoin.com

©ESD 2017

MEDECO SERVICE DOOR LOCKS MODEL 0400M (1/4 TURN)



| ITEM# | ESD P/N |
|-------|---------|
| I | 0400M |
| I | 0300M |



Symbol
M

Extra Keys:
Lock
MEDECO

Keying is 10%
Cams are 100%
See page L-33 for Cam Types

ADDITIONAL LEADTIME MAY BE REQUIRED ON REPLACEMENT LOCKS FOR SPECIFIC CODES.

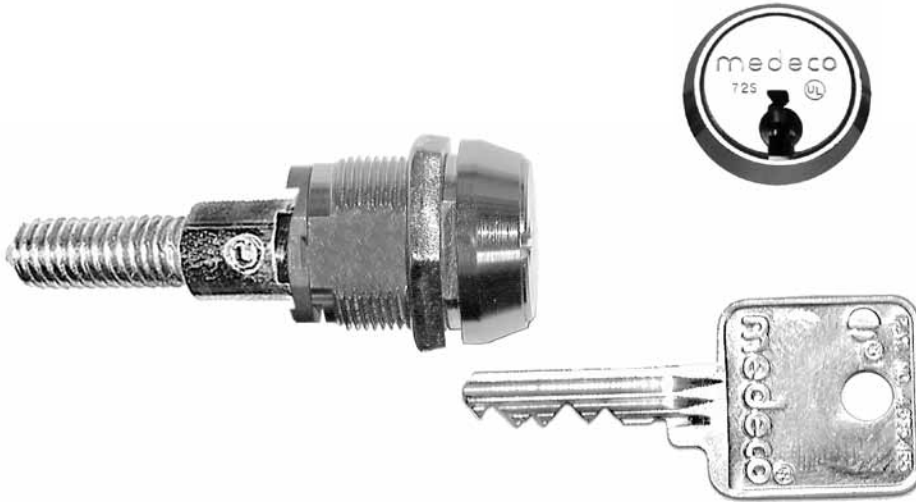
Prices are subject to change without notice.



CALL TOLL FREE, USA and Canada 1-800-523-1510 • Fax 1-800-548-1638
270 Commerce Drive, Fort Washington, PA 19034 (215)628-0860 Fax (215)643-4623
Find us on the web @ www.esdcoin.com

©ESD 2017

4 WAY PULL LOCK 0300M



Shaft No. 20516

See page L-36
for shaft length

| ITEM# | ESD P/N |
|-------|-----------------|
| I | 0300M *72180 |

Symbol
M

Extra Keys:
Lock
MEDECO

Keying is 10%

ADDITIONAL LEAD TIME MAY BE REQUIRED ON REPLACEMENT LOCKS FOR SPECIFIC CODES.

Prices are subject to change without notice.



CALL TOLL FREE, USA and Canada 1-800-523-1510 • Fax 1-800-548-1638
270 Commerce Drive, Fort Washington, PA 19034 (215)628-0860 Fax (215)643-4623

Find us on the web @ www.esdcoin.com

©ESD 2017

MAYTAG MONEY BOX LOCKS

MODEL # 0500 FOR WASHERS & STANDARD DRYERS

(1/4 TURN)



ESD-TUBULAR



ESD-XEP

Shaft No. 20229



See page L-36
for shaft length



| ITEM# | ESD P/N |
|-------|---------|
| 1 | 0500ET |
| 2 | 0500XEP |
| 3 | 0500XD |
| 4 | 0500M |

| Symbol | Extra Keys: Lock |
|--------|---------------------|
| ET | ESD-TUBULAR |
| XEP | ESD-XEP |
| XD | ESD-XD |
| M | MEDECO |

ADDITIONAL LEAD TIME MAY BE REQUIRED ON REPLACEMENT LOCKS FOR SPECIFIC CODES.

Prices are subject to change without notice.



CALL TOLL FREE, USA and Canada 1-800-523-1510 • Fax 1-800-548-1638
270 Commerce Drive, Fort Washington, PA 19034 (215)628-0860 Fax (215)643-4623

Find us on the web @ www.esdcoin.com

©ESD 2017

MAYTAG LOCKS & SHAFTS MODEL # MD23 FOR COMPUTER DRYER (1/4 TURN)

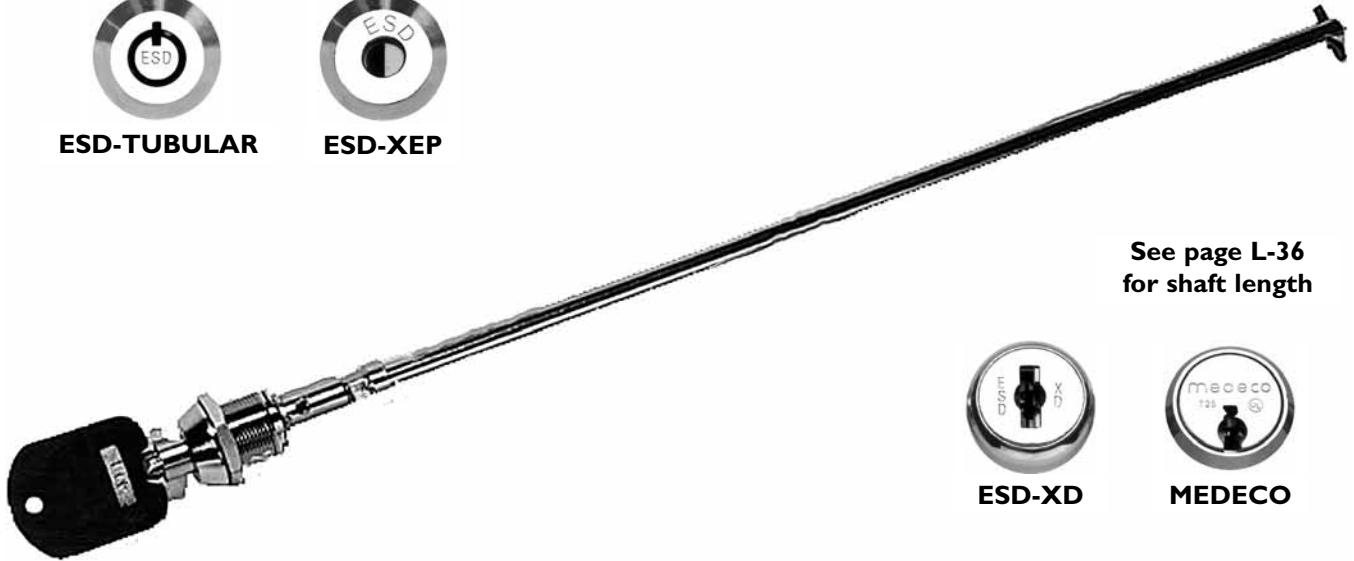
Shaft No. 20895



ESD-TUBULAR



ESD-XEP



See page L-36
for shaft length



ESD-XD



MEDECO

| ITEM# | ESD P/N |
|-------|---------|
| 1 | MD23ET |
| 2 | MD23XEP |
| 3 | MD23XD |
| 4 | MD23M |

| Symbol | Extra Keys: Lock |
|--------|---------------------|
| ET | ESD-TUBULAR |
| XEP | ESD-XEP |
| XD | ESD-XD |
| M | MEDECO |

ADDITIONAL LEADTIME MAY BE REQUIRED ON REPLACEMENT LOCKS FOR SPECIFIC CODES.

Prices are subject to change without notice.



CALL TOLL FREE, USA and Canada 1-800-523-1510 • Fax 1-800-548-1638
270 Commerce Drive, Fort Washington, PA 19034 (215)628-0860 Fax (215)643-4623

Find us on the web @ www.esdcoin.com

©ESD 2017

LOCKS & SHAFTS FOR MAYTAG STACK DRYER (1/4 TURN, FULL TURN)



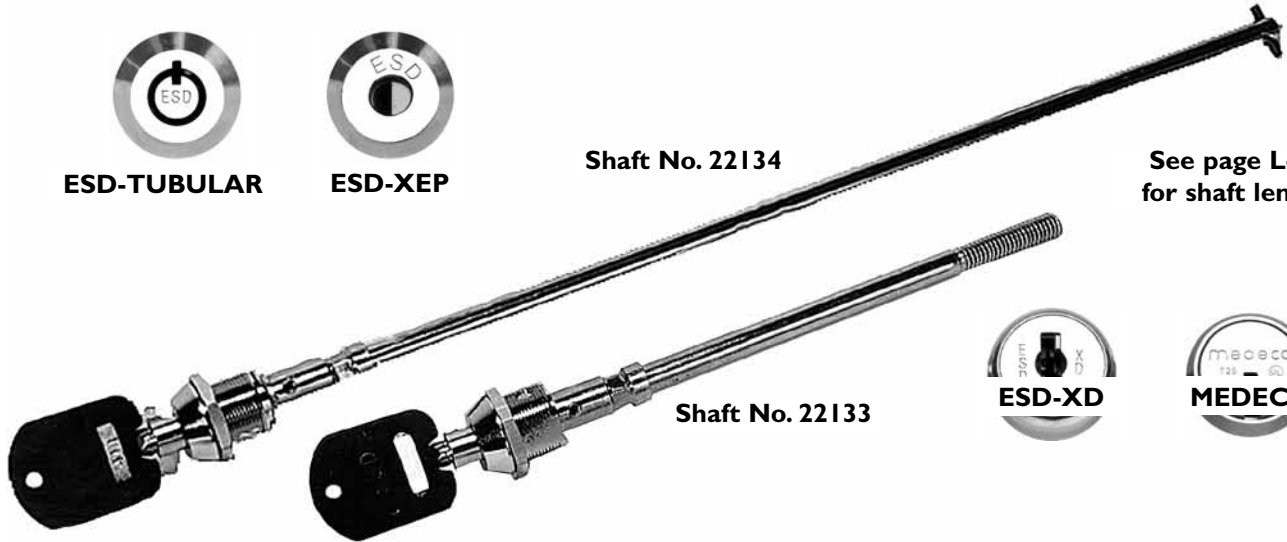
ESD-TUBULAR



ESD-XEP

Shaft No. 22134

See page L-36
for shaft length



Shaft No. 22133



ESD-XD



MEDECO

| ITEM# | ESD P/N |
|-------|-----------|
| 1 | 22133-T |
| 2 | 22133-XD |
| 3 | 22133-M |
| ITEM# | ESD P/N |
| 1 | 22134-T |
| 2 | 22134-XEP |
| 3 | 22134-XD |
| 4 | 22134-M |

Extra Keys:

| | |
|--------|---------|
| Symbol | Lock |
| ET | TUBULAR |
| XEP | ESD-XEP |
| XD | ESD-XD |
| M | MEDECO |

ADDITIONAL LEAD TIME MAY BE REQUIRED ON REPLACEMENT LOCKS FOR SPECIFIC CODES.

Prices are subject to change without notice.



CALL TOLL FREE, USA and Canada 1-800-523-1510 • Fax 1-800-548-1638
270 Commerce Drive, Fort Washington, PA 19034 (215)628-0860 Fax (215)643-4623

Find us on the web @ www.esdcoin.com

©ESD 2017

THREADED LOCKS & SHAFTS MAYTAG STACK DRYER (FULL TURN)



ESD-TUBULAR

Shaft No. 22133



See page L-36
for shaft length



| ITEM# | ESD P/N |
|-------|------------|
| 1 | 22133-T |
| 2 | 22133-XD |
| 3 | 22133-M |

| Symbol | Extra Keys: Lock |
|--------|---------------------|
| ET | ESD-TUBULAR |
| XD | ESD-XD |
| M | MEDECO |

ADDITIONAL LEADTIME MAY BE REQUIRED ON REPLACEMENT LOCKS FOR SPECIFIC CODES.

Prices are subject to change without notice.



CALL TOLL FREE, USA and Canada 1-800-523-1510 • Fax 1-800-548-1638
270 Commerce Drive, Fort Washington, PA 19034 (215)628-0860 Fax (215)643-4623

Find us on the web @ www.esdcoin.com

©ESD 2017

MAYTAG LOCK & SHAFT FOR MODEL #'S CT26, CGT8000 and CET8000 (MODEL #'S AD23CD & D26CD) (1/4 TURN)

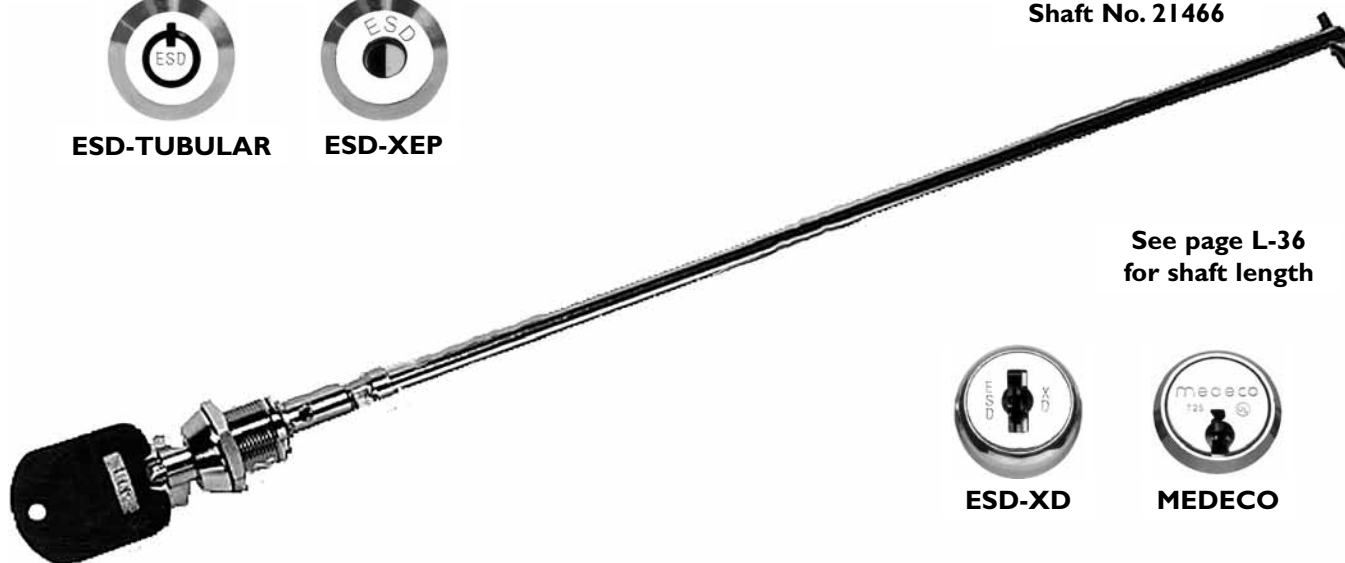


ESD-TUBULAR



ESD-XEP

Shaft No. 21466



See page L-36
for shaft length



ESD-XD



MEDECO

| ITEM# | ESD P/N |
|-------|------------|
| 1 | CT26ET |
| 2 | CT26XEP |
| 3 | CT26XD |
| 4 | CT26M |

Prices also apply to ESD P/N 72338 and 72339

| Symbol | Extra Keys: Lock |
|--------|---------------------|
| ET | ESD-TUBULAR |
| XEP | ESD-XEP |
| XD | ESD-XD |
| M | MEDECO |

ADDITIONAL LEAD TIME MAY BE REQUIRED ON REPLACEMENT LOCKS FOR SPECIFIC CODES.

Prices are subject to change without notice.



CALL TOLL FREE, USA and Canada 1-800-523-1510 • Fax 1-800-548-1638
270 Commerce Drive, Fort Washington, PA 19034 (215)628-0860 Fax (215)643-4623

Find us on the web @ www.esdcoin.com

©ESD 2017

MAYTAG LOCK & SHAFT FOR MODEL # MA30 FOR MAYTAG - AMERICAN DRYER MODEL # DGS-30-PCI (30 # + STACK DRYERS) (1/4 TURN)

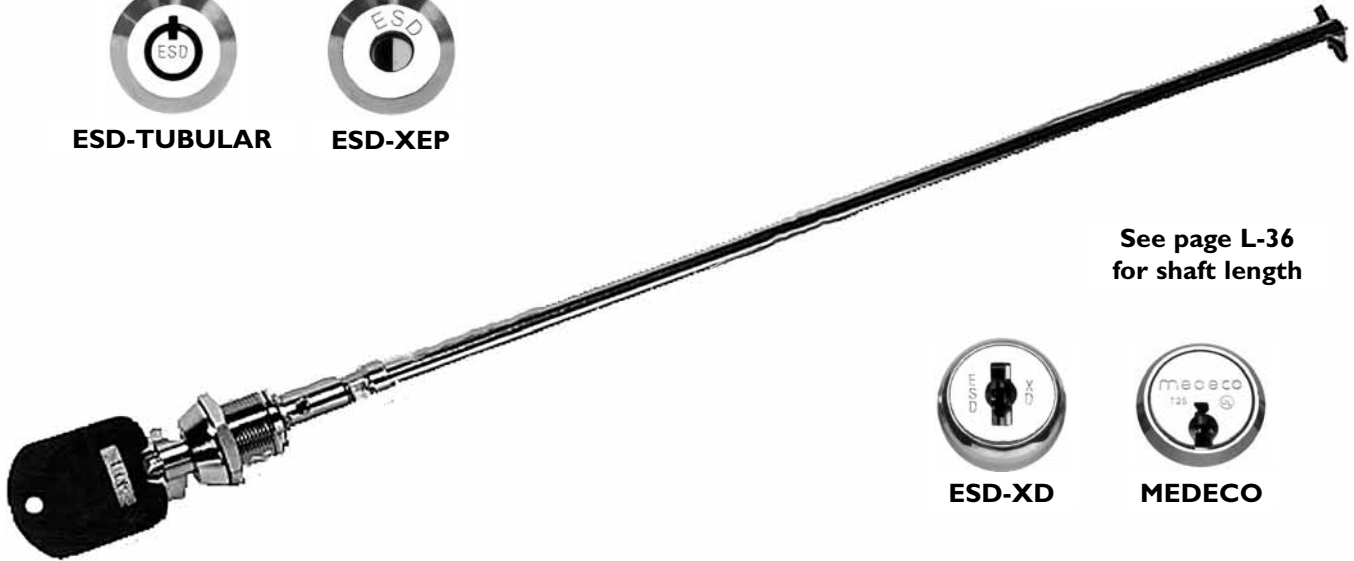
Shaft No. 21467



ESD-TUBULAR



ESD-XEP



See page L-36
for shaft length



ESD-XD



MEDECO

| ITEM# | ESD P/N |
|-------|---------|
| 1 | MA30ET |
| 2 | MA30XEP |
| 3 | MA30XD |
| 4 | MA30M |

| Symbol | Extra Keys: |
|--------|---------------------|
| ET | Lock ESD-TUBULAR |
| XEP | ESD-XEP |
| XD | ESD-XD |
| M | MEDECO |

ADDITIONAL LEADTIME MAY BE REQUIRED ON REPLACEMENT LOCKS FOR SPECIFIC CODES.

Prices are subject to change without notice.



CALL TOLL FREE, USA and Canada 1-800-523-1510 • Fax 1-800-548-1638
270 Commerce Drive, Fort Washington, PA 19034 (215)628-0860 Fax (215)643-4623

Find us on the web @ www.esdcoin.com

©ESD 2017

AMERICAN DRYER LOCK & SHAFT MODEL # AD530



ESD-TUBULAR



ESD-XEP

This machine takes one of each shaft below per machine

Shaft No. 22609
(72155-)
Chart #2

See page L-36
for shaft length

Shaft No. 22608
(72154 or 72109)
Chart #1



ESD-XD



MEDECO

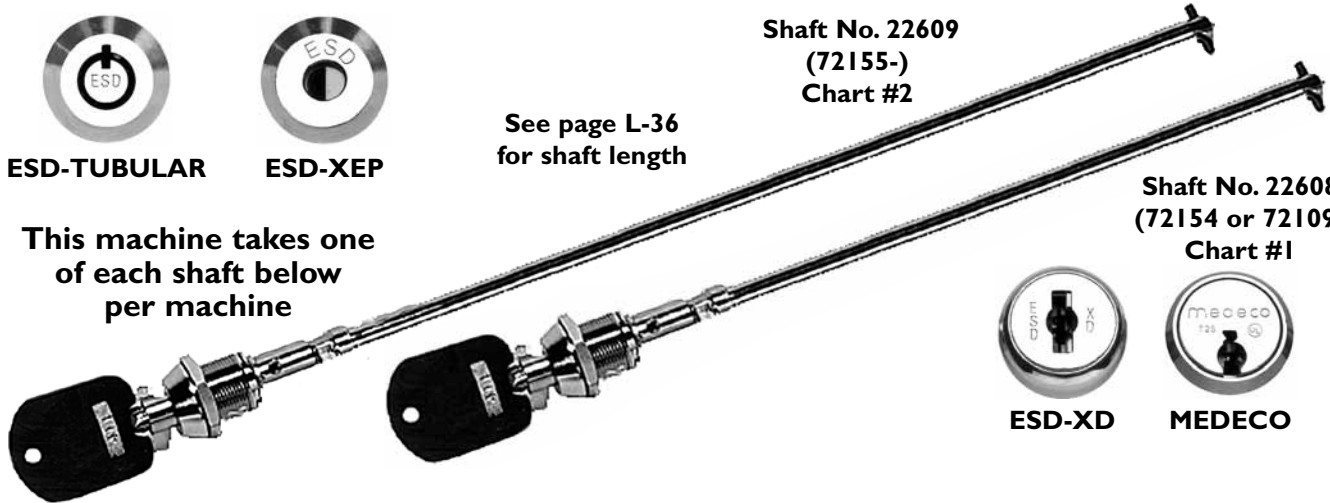


Chart #1

| ITEM# | ESD P/N |
|-------|-----------|
| 1 | 72154-T |
| 2 | 72154-XEP |
| 3 | 72154-XD |
| 4 | 72154-M |

Chart #2

| ITEM# | ESD P/N |
|-------|-----------|
| 1 | 72155-T |
| 2 | 72155-XEP |
| 3 | 72155-XD |
| 4 | 72155-M |

| Symbol | Extra Keys: |
|--------|-------------|
| ET | Lock |
| XEP | ESD-TUBULAR |
| XD | ESD-XEP |
| M | ESD-XD |
| | MEDECO |

ADDITIONAL LEAD TIME MAY BE REQUIRED ON REPLACEMENT LOCKS FOR SPECIFIC CODES.

Prices are subject to change without notice.



CALL TOLL FREE, USA and Canada 1-800-523-1510 • Fax 1-800-548-1638
270 Commerce Drive, Fort Washington, PA 19034 (215)628-0860 Fax (215)643-4623

Find us on the web @ www.esdcoin.com

©ESD 2017

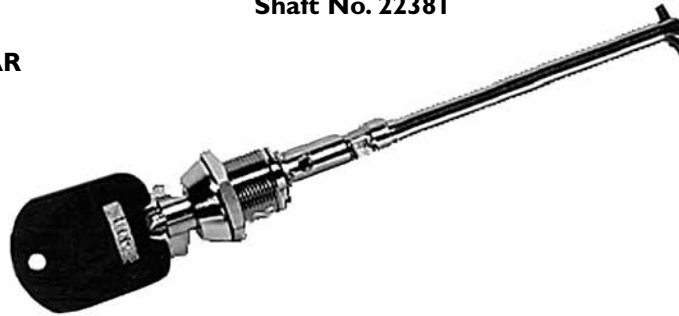
AMERICAN DRYER LOCK & SHAFT

MODEL # ADG 235, AD 235, 215, 230, 236



ESD-TUBULAR

Shaft No. 22381



**See page L-36
for shaft length**

| ITEM# | ESD P/N |
|-------|------------|
| I | 72156-T |

| Symbol | Extra Keys: Lock |
|--------|---------------------|
| ET | ESD-TUBULAR |
| XEP | ESD-XEP |
| XD | ESD-XD |
| M | MEDECO |

ADDITIONAL LEADTIME MAY BE REQUIRED ON REPLACEMENT LOCKS FOR SPECIFIC CODES.

Prices are subject to change without notice.



CALL TOLL FREE, USA and Canada 1-800-523-1510 • Fax 1-800-548-1638
270 Commerce Drive, Fort Washington, PA 19034 (215)628-0860 Fax (215)643-4623

Find us on the web @ www.esdcoin.com

©ESD 2017

AMERICAN DRYER LOCK & SHAFT MODEL # AD24



ESD-TUBULAR

Shaft No. 72088



**See page L-36
for shaft length**



ESD-XD



MEDECO

| ITEM# | ESD P/N |
|-------|------------|
| 1 | 72088-T |
| 2 | 72088-XD |
| 3 | 72088-M |

| Symbol | Extra Keys: Lock |
|--------|---------------------|
| ET | ESD-TUBULAR |
| XD | ESD-XD |
| M | MEDECO |

ADDITIONAL LEADTIME MAY BE REQUIRED ON REPLACEMENT LOCKS FOR SPECIFIC CODES.

Prices are subject to change without notice.



CALL TOLL FREE, USA and Canada 1-800-523-1510 • Fax 1-800-548-1638

270 Commerce Drive, Fort Washington, PA 19034 (215)628-0860 Fax (215)643-4623

Find us on the web @ www.esdcoin.com

©ESD 2017

THREADED LOCKS & SHAFTS FOR HUEBSCH OR SPEED QUEEN LARGE DRYERS (FULL TURN)



ESD-TUBULAR

Shaft No. 20531



See page L-36
for shaft length



ESD-XD



MEDECO

| ITEM# | ESD P/N |
|-------|------------|
| 1 | 0700ET |
| 2 | 0700XD |
| 3 | 0700M |

| Symbol | Extra Keys: Lock |
|--------|---------------------|
| ET | ESD-TUBULAR |
| XD | ESD-XD |
| M | MEDECO |

ADDITIONAL LEADTIME MAY BE REQUIRED ON REPLACEMENT LOCKS FOR SPECIFIC CODES.

Prices are subject to change without notice.



CALL TOLL FREE, USA and Canada 1-800-523-1510 • Fax 1-800-548-1638
270 Commerce Drive, Fort Washington, PA 19034 (215)628-0860 Fax (215)643-4623

Find us on the web @ www.esdcoin.com

©ESD 2017

THREADED LOCKS & SHAFTS FOR SPEED QUEEN SUPER 20 OR SUPER 2 (FULL TURN)



ESD-TUBULAR

Shaft No. 20819



**See page L-36
for shaft length**



ESD-XD



MEDECO

| ITEM# | ESD P/N |
|-------|------------|
| 1 | 0100ET |
| 2 | 0100XD |
| 3 | 0100M |

| Symbol | Extra Keys: Lock |
|--------|---------------------|
| ET | ESD-TUBULAR |
| XD | ESD-XD |
| M | MEDECO |

ADDITIONAL LEAD TIME MAY BE REQUIRED ON REPLACEMENT LOCKS FOR SPECIFIC CODES.

Prices are subject to change without notice.



CALL TOLL FREE, USA and Canada 1-800-523-1510 • Fax 1-800-548-1638
270 Commerce Drive, Fort Washington, PA 19034 (215)628-0860 Fax (215)643-4623

Find us on the web @ www.esdcoin.com

©ESD 2017

LOCKS & SHAFTS FOR HUEBSCH DRYERS (1/4 TURN)

Shaft No. 21785



ESD-TUBULAR



ESD-XEP



See page L-36
for shaft length



ESD-XD



MEDECO

| ITEM# | ESD P/N |
|-------|------------|
| 1 | 21583ET |
| 2 | 21587XEP |
| 3 | 21588XD |
| 4 | 21586M |

| Symbol | Extra Keys: Lock |
|--------|---------------------|
| ET | ESD-TUBULAR |
| XEP | ESD-XEP |
| XD | ESD-XD |
| M | MEDECO |

ADDITIONAL LEADTIME MAY BE REQUIRED ON REPLACEMENT LOCKS FOR SPECIFIC CODES.

Prices are subject to change without notice.



CALL TOLL FREE, USA and Canada 1-800-523-1510 • Fax 1-800-548-1638
270 Commerce Drive, Fort Washington, PA 19034 (215)628-0860 Fax (215)643-4623

Find us on the web @ www.esdcoin.com

©ESD 2017

THREADED LOCKS & SHAFTS FOR MILNOR WASHERS (FULL TURN)



ESD-TUBULAR

**Shaft No. 20276
or
Shaft No. 22209**



**See page L-36
for shaft length**



ESD-XD



MEDECO

| ITEM# | ESD P/N |
|-------|------------|
| 1 | 71621-ET |
| 2 | 71624-XD |
| 3 | 71622-M |

Extra Keys:

| Symbol | Lock |
|--------|-------------|
| ET | ESD-TUBULAR |
| XD | ESD-XD |
| M | MEDECO |

ADDITIONAL LEAD TIME MAY BE REQUIRED ON REPLACEMENT LOCKS FOR SPECIFIC CODES.

Prices are subject to change without notice.



CALL TOLL FREE, USA and Canada 1-800-523-1510 • Fax 1-800-548-1638
270 Commerce Drive, Fort Washington, PA 19034 (215)628-0860 Fax (215)643-4623

Find us on the web @ www.esdcoin.com

©ESD 2017

THREADED LOCKS & SHAFTS FOR DEXTER (FULL TURN)



| ITEM# | ESD P/N |
|-------|------------|
| 1 | 0800XD |
| 2 | 0850XD |
| 3 | 0850M |

| Symbol | Extra Keys: Lock |
|--------|---------------------|
| XD | ESD-XD |
| M | MEDECO |

ADDITIONAL LEADTIME MAY BE REQUIRED ON REPLACEMENT LOCKS FOR SPECIFIC CODES.

Prices are subject to change without notice.



CALL TOLL FREE, USA and Canada 1-800-523-1510 • Fax 1-800-548-1638
270 Commerce Drive, Fort Washington, PA 19034 (215)628-0860 Fax (215)643-4623

Find us on the web @ www.esdcoin.com

©ESD 2017

THREADED LOCKS & SHAFTS WASCOMAT WDA 540 (1/4 TURN)

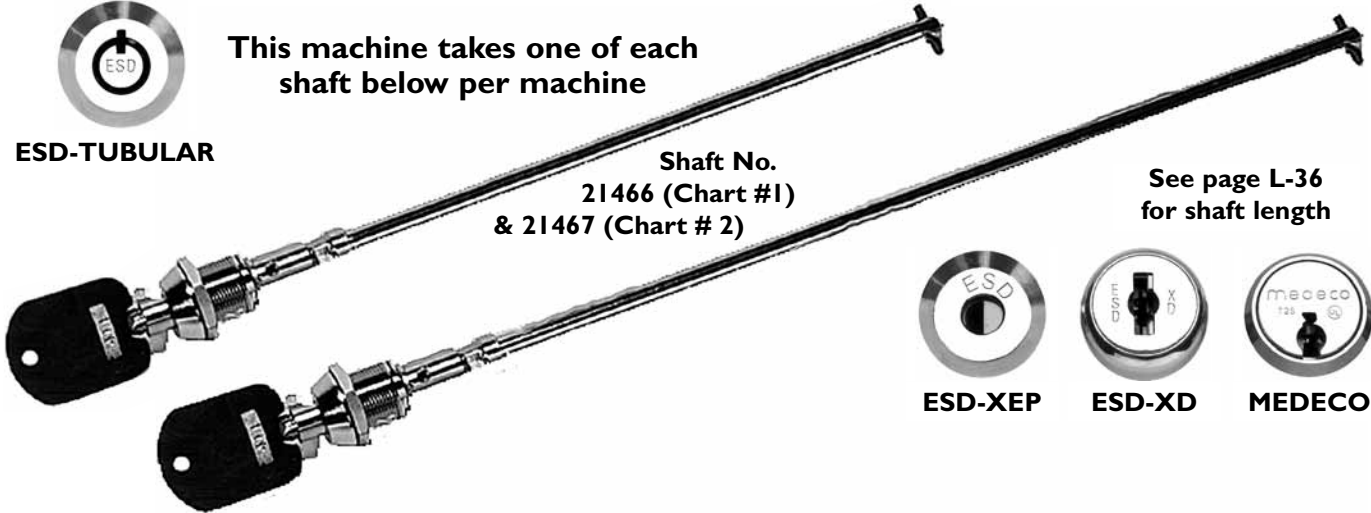


This machine takes one of each shaft below per machine

ESD-TUBULAR

Shaft No.
21466 (Chart #1)
& 21467 (Chart # 2)

See page L-36
for shaft length



ESD-XEP



ESD-XD



MEDECO

Chart
#1

| ITEM# | ESD P/N |
|-------|------------|
| 1 | CT26ET |
| 2 | CT26XEP |
| 3 | CT26XD |
| 4 | CT26M |

Chart
#2

| ITEM# | ESD P/N |
|-------|------------|
| 1 | MA30ET |
| 2 | MA30XEP |
| 3 | MA30XD |
| 4 | MA30M |

Extra Keys:

| | |
|--------|-------------|
| Symbol | Lock |
| ET | ESD-TUBULAR |
| XEP | ESD-XEP |
| XD | ESD-XD |
| M | MEDECO |

ADDITIONAL LEADTIME MAY BE REQUIRED ON REPLACEMENT LOCKS FOR SPECIFIC CODES.

Prices are subject to change without notice.



CALL TOLL FREE, USA and Canada 1-800-523-1510 • Fax 1-800-548-1638
270 Commerce Drive, Fort Washington, PA 19034 (215)628-0860 Fax (215)643-4623

Find us on the web @ www.esdcoin.com

©ESD 2017

WASCOMAT LOCK & SHAFT FOR WASCO-DRY WDA 330 (1/4 TURN)

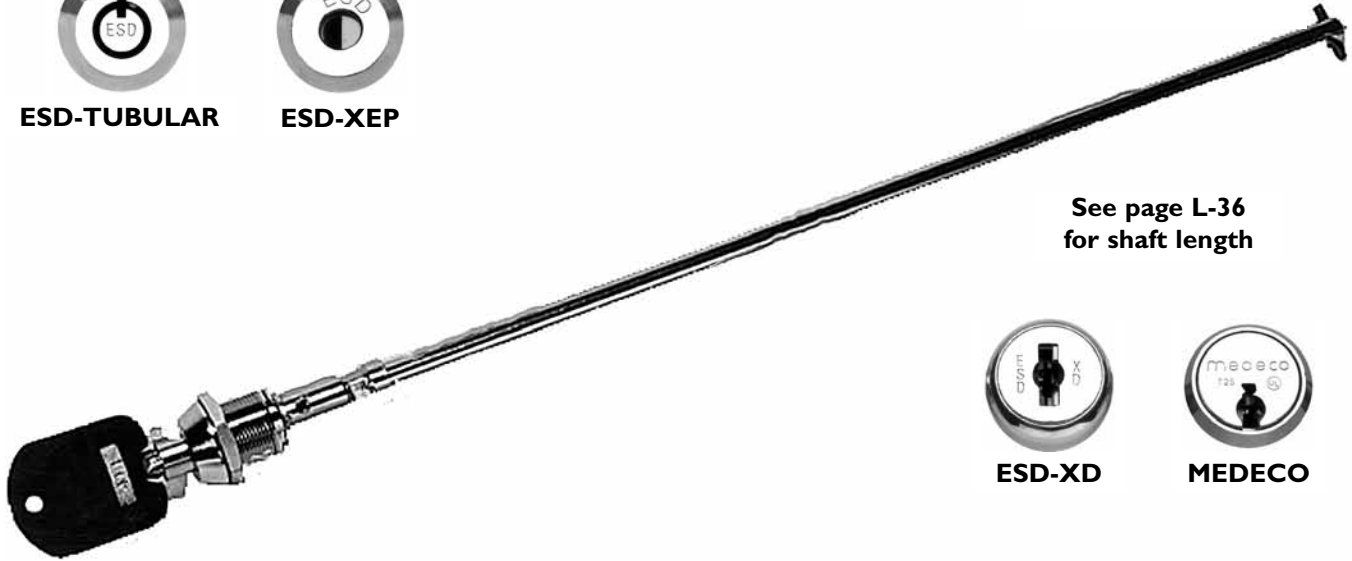


ESD-TUBULAR



ESD-XEP

Shaft No. 21467



See page L-36
for shaft length



ESD-XD



MEDECO

| ITEM# | ESD P/N |
|-------|----------|
| 1 | 71940ET |
| 2 | 71938XEP |
| 3 | 71938XD |
| 4 | 71937M |

| Symbol | Extra Keys: Lock |
|--------|---------------------|
| ET | ESD-TUBULAR |
| XEP | ESD-XEP |
| XD | ESD-XD |
| M | MEDECO |

ADDITIONAL LEADTIME MAY BE REQUIRED ON REPLACEMENT LOCKS FOR SPECIFIC CODES.

Prices are subject to change without notice.



CALL TOLL FREE, USA and Canada 1-800-523-1510 • Fax 1-800-548-1638
270 Commerce Drive, Fort Washington, PA 19034 (215)628-0860 Fax (215)643-4623

Find us on the web @ www.esdcoin.com

©ESD 2017

LOCKS & SHAFTS FOR MAYTAG DRYERS (1/4 TURN)

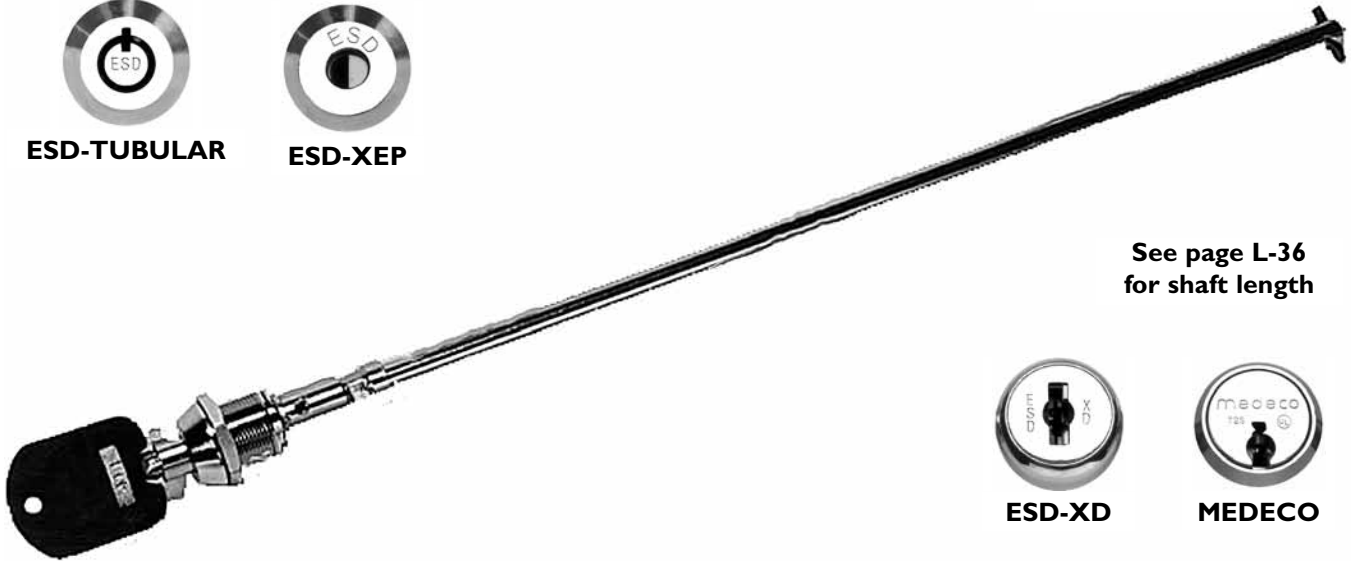
Shaft No. 21785



ESD-TUBULAR



ESD-XEP



See page L-36
for shaft length



ESD-XD



MEDECO

| ITEM# | ESD P/N |
|-------|------------|
| 1 | 72234-T |
| 2 | 72234XEP |
| 3 | 72234XD |
| 4 | 72234M |

| Symbol | Extra Keys: Lock |
|--------|---------------------|
| ET | ESD-TUBULAR |
| XEP | ESD-XEP |
| XD | ESD-XD |
| M | MEDECO |

ADDITIONAL LEAD TIME MAY BE REQUIRED ON REPLACEMENT LOCKS FOR SPECIFIC CODES.

Prices are subject to change without notice.



CALL TOLL FREE, USA and Canada 1-800-523-1510 • Fax 1-800-548-1638

270 Commerce Drive, Fort Washington, PA 19034 (215)628-0860 Fax (215)643-4623

Find us on the web @ www.esdcoin.com

©ESD 2017

LOCKS FOR MONEY BOXES



ESD-XD



MEDECO



ESD-XEP



ESD-TUBULAR

| ITEM# | ESD P/N |
|-------|---------|
| 1 | 0600ET |
| 2 | 0600XEP |
| 3 | 0600XD |
| 4 | 0600M |

| Symbol | Extra Keys: Lock |
|--------|---------------------|
| ET | ESD-TUBULAR |
| XEP | ESD-XEP |
| XD | ESD-XD |
| M | MEDECO |
| ETXL | LONG SHANK TUBULAR |

ADDITIONAL LEADTIME MAY BE REQUIRED ON REPLACEMENT LOCKS FOR SPECIFIC CODES.

Prices are subject to change without notice.



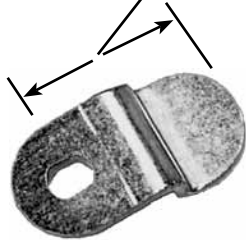
CALL TOLL FREE, USA and Canada 1-800-523-1510 • Fax 1-800-548-1638
 270 Commerce Drive, Fort Washington, PA 19034 (215)628-0860 Fax (215)643-4623

Find us on the web @ www.esdcoin.com

©ESD 2017

CAMS FOR ALL APPLICATIONS

All offset cam dimensions are:
(length from hole) X (offset height)



20551 WASCOMAT
1.12" X .50" STD



20724 G.E.
1.12" X .75" STD



21060 WHIRLPOOL
1.00" X .75" STD



20724 MAYTAG
1.12" X .75" STD



21123 MAYTAG
1.34" X .406" STD



20556 G.E. Double Locking
2.93" X .75" STD

ADDITIONAL CAMS NOT SHOWN AVAILABLE UPON REQUEST.

Prices are subject to change without notice.

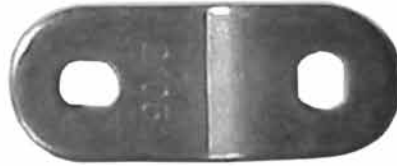


CALL TOLL FREE, USA and Canada 1-800-523-1510 • Fax 1-800-548-1638
270 Commerce Drive, Fort Washington, PA 19034 (215)628-0860 Fax (215)643-4623
Find us on the web @ www.esdcoin.com

©ESD 2017

CAMS

FOR ALL APPLICATIONS



21051
1.50" X .06" STD



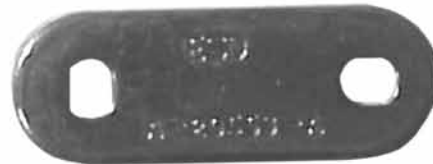
20540
1.25" X Flat STD



20542
1.50" X Flat STD



20539
.88" X Flat STD



20553
1.75" X Flat STD



20538
1.12" X Flat STD



20541
2.00" X Flat STD

All flat cam dimensions

ADDITIONAL CAMS NOT SHOWN AVAILABLE UPON REQUEST.

Prices are subject to change without notice.



CALL TOLL FREE, USA and Canada 1-800-523-1510 • Fax 1-800-548-1638
270 Commerce Drive, Fort Washington, PA 19034 (215)628-0860 Fax (215)643-4623

Find us on the web @ www.esdcoin.com

©ESD 2017

SHAFTS FOR ALL APPLICATIONS

SHAFT PHOTOS and PART NO's BELONG TO ESD and cannot be reproduced in whole or in part without the written permission of ESD, inc..

20795 Security Hood 4.00"

S.Q. S20
Accumulator
A-20 .71"

20847 S.Q. I.10"

20516 WHIRLPOOL I.35"

21466 COMPUTER TRAC MAYTAG 8.25"

22134 MAYTAG 1/4 TURN 7.82"

22133 MAYTAG 360° 8.75"

20276 MILNOR 14.25"

20531 HUEBSCH 7.12"

21467 MAYTAG AMERICAN LONG 12.25"

20819 S.Q. Super 20 14.43"

21740 SOLON SECURITY SHAFT 3.88"

20895 MAYTAG 11.48"

20230 DUO-MAYTAG 4.58"

20229 MAYTAG 4.75"

Dimensions for pinned shafts are from end of shaft to center of pin.

Dimensions for threaded shafts are overall length

SHAFTS

FOR ALL APPLICATIONS

| SHAFT PART # | USED ON | SIZE |
|--------------|----------------------|--------|
| 20847 | SPEED QUEEN | 1.10" |
| 20516 | WHIRLPOOL | 1.35" |
| 20233 | DUO-HUEBSCH | 6.75" |
| 20276 | MILNOR | 14.25" |
| 20531 | HUEBSCH | 7.12" |
| 20819 | SPEED QUEEN SUPER 20 | 14.43" |
| 20895 | MAYTAG | 11.48" |
| 20229 | MAYTAG | 4.75" |
| 21740 | THREADED SHAFT | 3.85" |
| 21467 | MAYTAG | 12.25" |
| 21466 | MAYTAG | 8.25" |
| 21785 | HUEBSCH | 10.25" |
| 22133 | 360° MAYTAG | 8.75" |
| 22134 | 1/4 TURN MAYTAG | 8.75" |
| 22381 | AM DRYER | 6.25" |
| 22608 | AM DRYER | 8.00" |
| 22609 | AMERICAN DRYER | 12.00" |
| 72088 | AMERICAN DRYER | 7.00" |

ADDITIONAL SIZES AVAILABLE UPON REQUEST.

Prices are subject to change without notice.



CALL TOLL FREE, USA and Canada 1-800-523-1510 • Fax 1-800-548-1638
 270 Commerce Drive, Fort Washington, PA 19034 (215)628-0860 Fax (215)643-4623

Find us on the web @ www.esdcoin.com

©ESD 2017



DECALS



CALL TOLL FREE, USA and Canada 1-800-523-1510 • Fax 1-800-548-1638
270 Commerce Drive, Fort Washington, PA 19034 (215)628-0860 Fax (215)643-4623
Find us on the web @ www.esdcoin.com

©ESD 2017

HANDLE VEND 4, 5, AND 8 COIN **PRICE DECALS**

Vertical 4 Decals:

0¢ - 10¢ - 25¢ - 35¢ - 50¢ - 60¢ - 75¢ - 85¢ - \$1.00

Part #: 4D + Pricing (4D10 - 4D100)



Vertical 5 Decals:

0¢ - 10¢ - 25¢ - 35¢ - 50¢ - 60¢ - 75¢ - 85¢ - \$1.00 -

\$1.10 - \$1.25

Part #: 4D + Pricing (4D10 - 4D100)

Vertical 8 Decals:

0¢ - 10¢ - 25¢ - 35¢ - 50¢ - 60¢ - 75¢ - 85¢ - \$1.00 - \$1.10 -
\$1.25 - \$1.35 - \$1.50 - \$1.60 - \$1.75 - \$1.85 - \$2.00 - \$2.25 -
\$2.50 - \$3.00 - \$3.75 - \$4.00 - \$5.00

Part #: 5D or 8D + Pricing

\$1.60 - \$1.75 - \$1.85 - \$2.00 - \$2.25 - \$2.50 \$3.00 -
\$3.75 - \$4.00 - \$5.00

Part#: 4D + Pricing (4D10 - 4D100)



5 or 8 Coin Token Decals:

Part #: 21575

DECALS

Specify 4, 5, or 8 coin slide &
vend price or token required

1 Packet = 100 Decals

SPECIAL QUOTES ON ANY DECAL ITEM NOT SHOWN ABOVE

Prices are subject to change without notice.



CALL TOLL FREE, USA and Canada 1-800-523-1510 • Fax 1-800-548-1638
270 Commerce Drive, Fort Washington, PA 19034 (215)628-0860 Fax (215)643-4623

Find us on the web @ www.esdcoin.com

©ESD 2017



ACCESSORIES



CALL TOLL FREE, USA and Canada 1-800-523-1510 • Fax 1-800-548-1638
270 Commerce Drive, Fort Washington, PA 19034 (215)628-0860 Fax (215)643-4623
Find us on the web @ www.esdcoin.com

©ESD 2017

ACCESSORIES



**21064 WHIRLPOOL DRYER
EXTENSION**
MODEL: CE2950XS (ELECTRIC)
MODEL: CG2951XS (GAS)



21053 WHIRLPOOL WASHER EXTENSION
MODEL: CA2751XS (SINGLE SPEED)
MODEL: CA2762XS (DOUBLE SPEED)

21748 STANDARD MOUNTING BOLT



6 7/8"

22681 WHIRLPOOL MOUNTING BOLT



8 3/8"

| ITEM# |
|-------|
| 21053 |
| 21064 |
| 22681 |
| 21748 |

Prices are subject to change without notice.



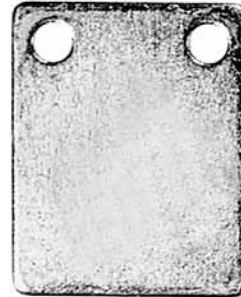
CALL TOLL FREE, USA and Canada 1-800-523-1510 • Fax 1-800-548-1638
270 Commerce Drive, Fort Washington, PA 19034 (215)628-0860 Fax (215)643-4623
Find us on the web @ www.esdcoin.com

©ESD 2017

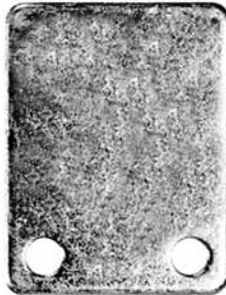
ACCESSORIES



**22059 PROTECTIVE LOCK COLLAR
CASE HARDENED**



21420 G.E. DRYER EXTENSION



**50026 S.Q. DRYER EXTENSION
OR
71712 HUEBSCH DRYER**



**20696 SPEED QUEEN
W.A. EXTENSION
OR
71711 HUEBSCH WASHER**

**KIT #21598 SEARS WASHER EXTENSION
AND HARDWARE WITH SPACER
WASHER & SPECIAL SCREWS**

| ITEM# |
|----------------|
| 22059 |
| 21420 |
| 20696 or 71711 |
| 50026 or 71712 |
| 21598 |

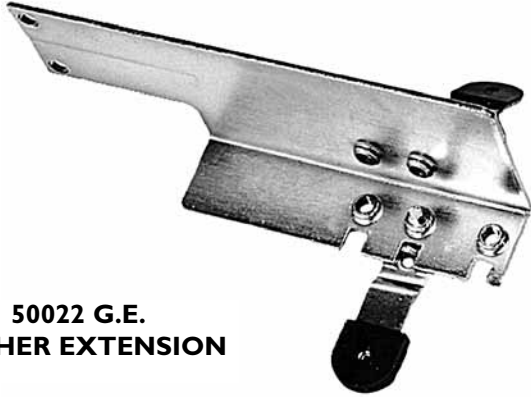
Prices are subject to change without notice.



CALL TOLL FREE, USA and Canada 1-800-523-1510 • Fax 1-800-548-1638
270 Commerce Drive, Fort Washington, PA 19034 (215)628-0860 Fax (215)643-4623
Find us on the web @ www.esdcoin.com

©ESD 2017

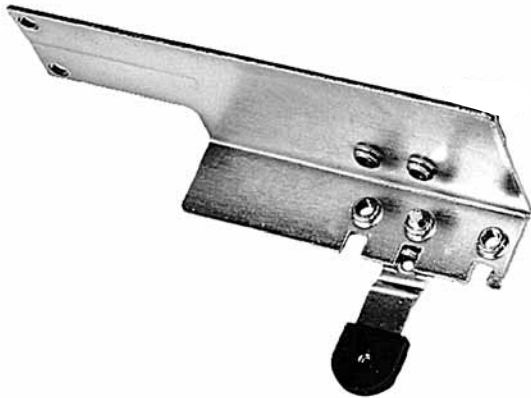
ACCESSORIES



**50022 G.E.
WASHER EXTENSION**



20239 WASCOMAT EXTENSION



**50022J G.E. "J" SERIES
WASHER EXTENSION**



**72143 G.E. FRONT LOAD
WASHER EXTENSION**

| ITEM# |
|--------|
| 50022 |
| 20239 |
| 72143 |
| 50022J |

Prices are subject to change without notice.

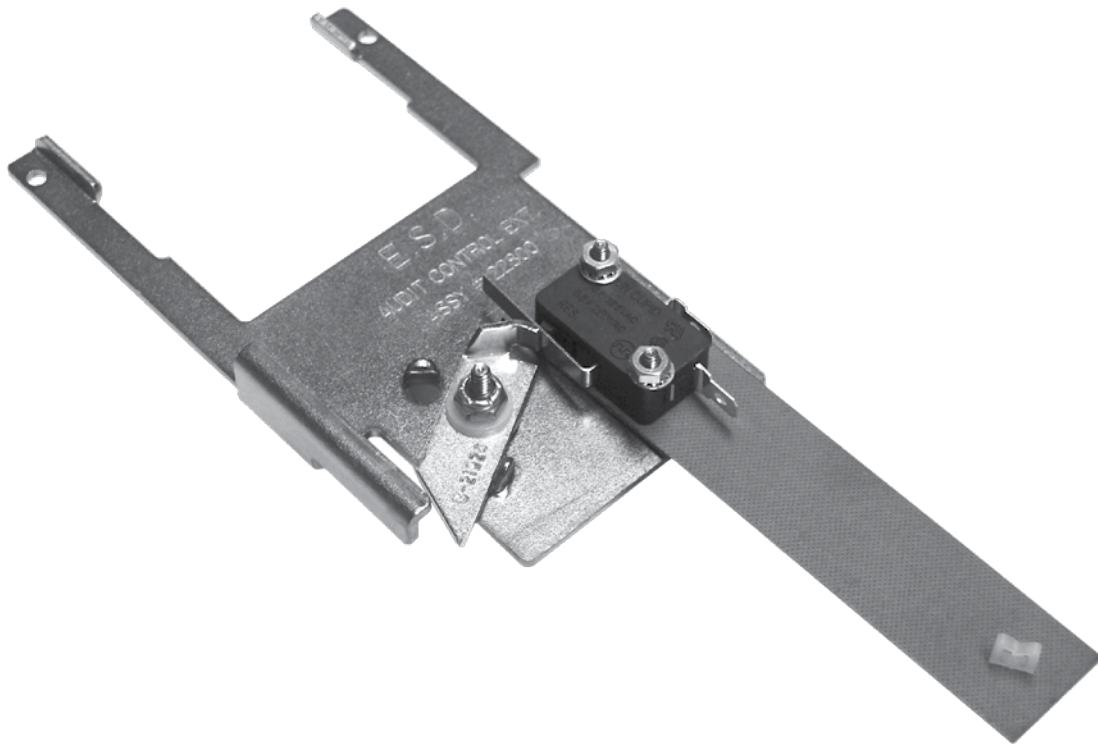


CALL TOLL FREE, USA and Canada 1-800-523-1510 • Fax 1-800-548-1638
270 Commerce Drive, Fort Washington, PA 19034 (215)628-0860 Fax (215)643-4623

Find us on the web @ www.esdcoin.com

©ESD 2017

AUDIT MICRO CONTROL SWITCH EXTENSION



| ESD P/N | |
|----------------|-------|
| VERTICAL 5 & 8 | 22800 |

Prices are subject to change without notice.



CALL TOLL FREE, USA and Canada 1-800-523-1510 • Fax 1-800-548-1638
270 Commerce Drive, Fort Washington, PA 19034 (215)628-0860 Fax (215)643-4623
Find us on the web @ www.esdcoin.com

©ESD 2017

T-HANDLE LOCKS



**60-900-012
STAINLESS STEEL
T-HANDLE**



**60-900-023
STAINLESS STEEL
T-HANDLE
VAP-HS ONLY**

**ESD STANDARD SHAFT INCLUDED
ALL OTHER SHAFTS QUOTED SEPARATELY
LOCK NOT INCLUDED WITH T-HANDLE**

| ITEM# | ESD P/N |
|-------|------------|
| 1 | 60-900-012 |
| 2 | 60-900-023 |

LOCK NOT INCLUDED WITH T-HANDLE

Prices are subject to change without notice.



CALL TOLL FREE, USA and Canada 1-800-523-1510 • Fax 1-800-548-1638
270 Commerce Drive, Fort Washington, PA 19034 (215)628-0860 Fax (215)643-4623

Find us on the web @ www.esdcoin.com

©ESD 2017

PLUG LOCKS



60-900-020
Includes 2 Keys
DEAD BOLT

| ITEM# | ESD P/N |
|-------|------------|
| I | 60-900-020 |

LOCK NOT INCLUDED WITH T-HANDLE

Prices are subject to change without notice.

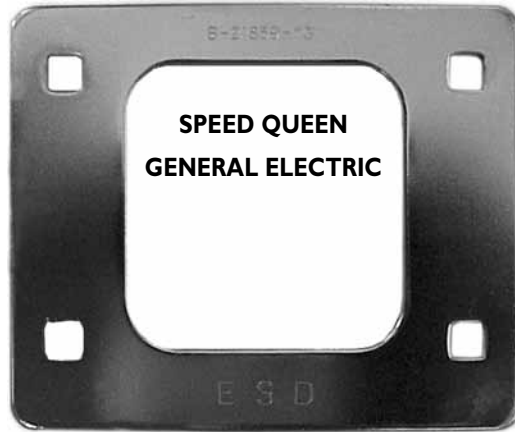


CALL TOLL FREE, USA and Canada 1-800-523-1510 • Fax 1-800-548-1638
270 Commerce Drive, Fort Washington, PA 19034 (215)628-0860 Fax (215)643-4623

Find us on the web @ www.esdcoin.com

©ESD 2017

SNOUT NOSE (BG & BGM & BGW) SECURITY PLATES



SEE BACK OF
THIS PAGE FOR
PRODUCT
APPLICATION

21859



22279



22514

| ITEM# | ESD P/N |
|-------|------------|
| 1 | 21859 |
| 2 | 22279 |
| 3 | 22514 |

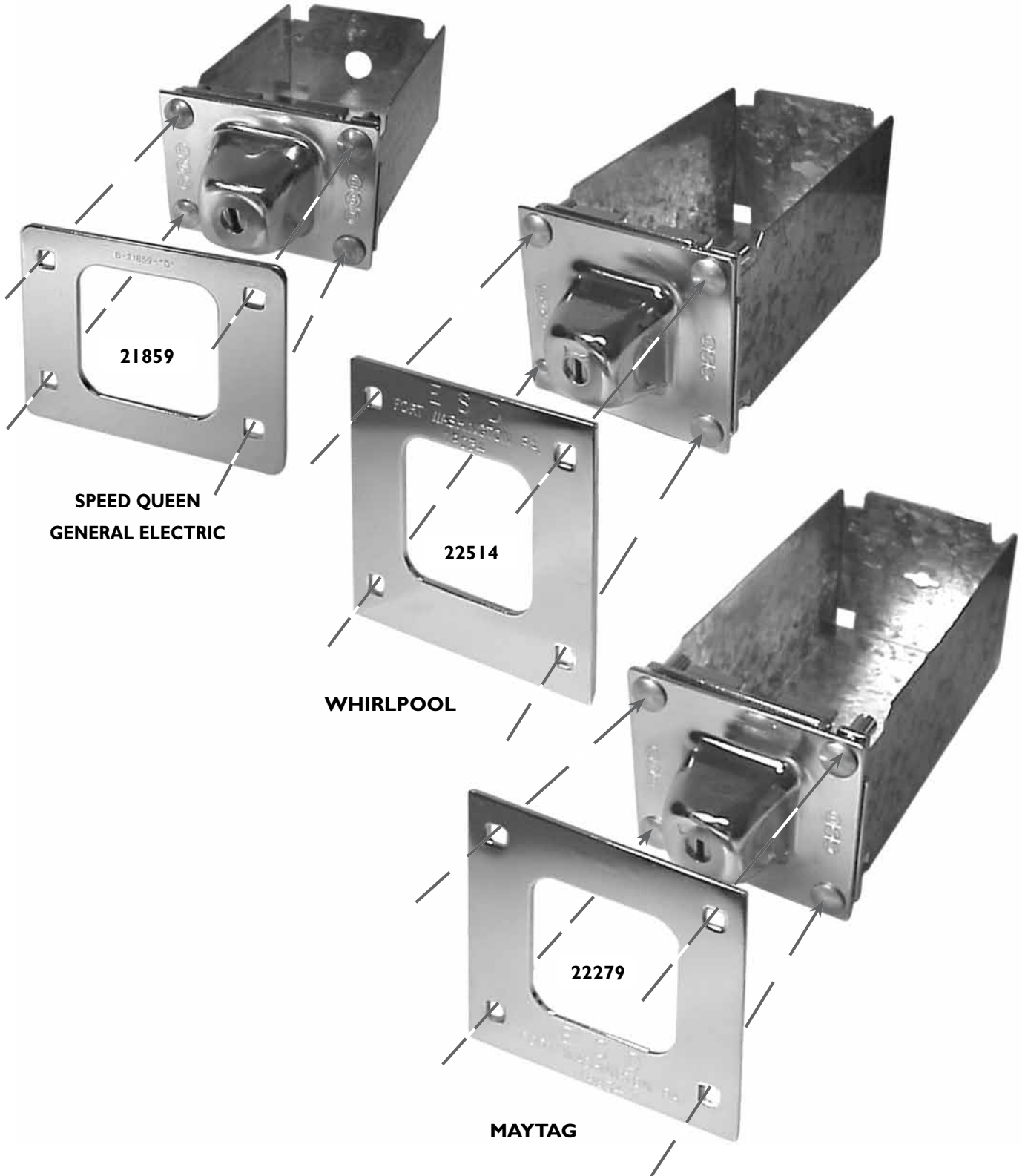
Prices are subject to change without notice.



CALL TOLL FREE, USA and Canada 1-800-523-1510 • Fax 1-800-548-1638
270 Commerce Drive, Fort Washington, PA 19034 (215)628-0860 Fax (215)643-4623

Find us on the web @ www.esdcoin.com

©ESD 2017



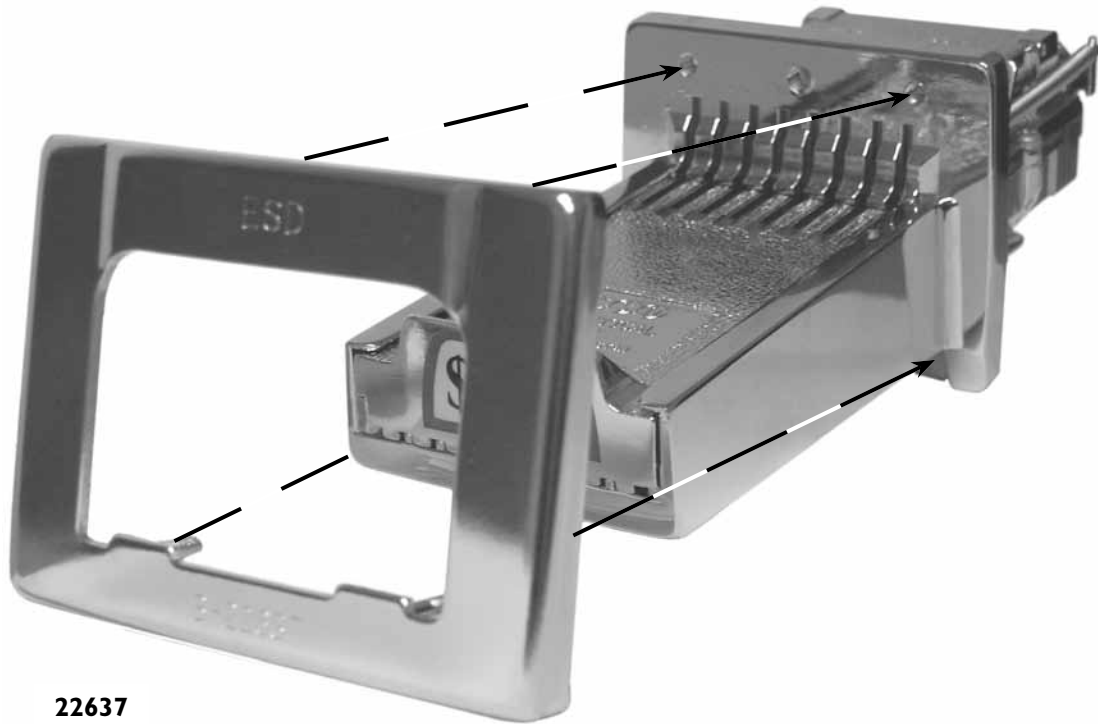
Prices are subject to change without notice.



CALL TOLL FREE, USA and Canada 1-800-523-1510 • Fax 1-800-548-1638
270 Commerce Drive, Fort Washington, PA 19034 (215)628-0860 Fax (215)643-4623
Find us on the web @ www.esdcoin.com

©ESD 2017

COIN SLIDE GUARD



22637

| ITEM# | ESD P/N |
|-------|---------|
| I | 22637 |

PLATE IS AVAILABLE IN CHROME

Prices are subject to change without notice.



CALL TOLL FREE, USA and Canada 1-800-523-1510 • Fax 1-800-548-1638
270 Commerce Drive, Fort Washington, PA 19034 (215)628-0860 Fax (215)643-4623
Find us on the web @ www.esdcoin.com

©ESD 2017



PARTS LIST & PRICES



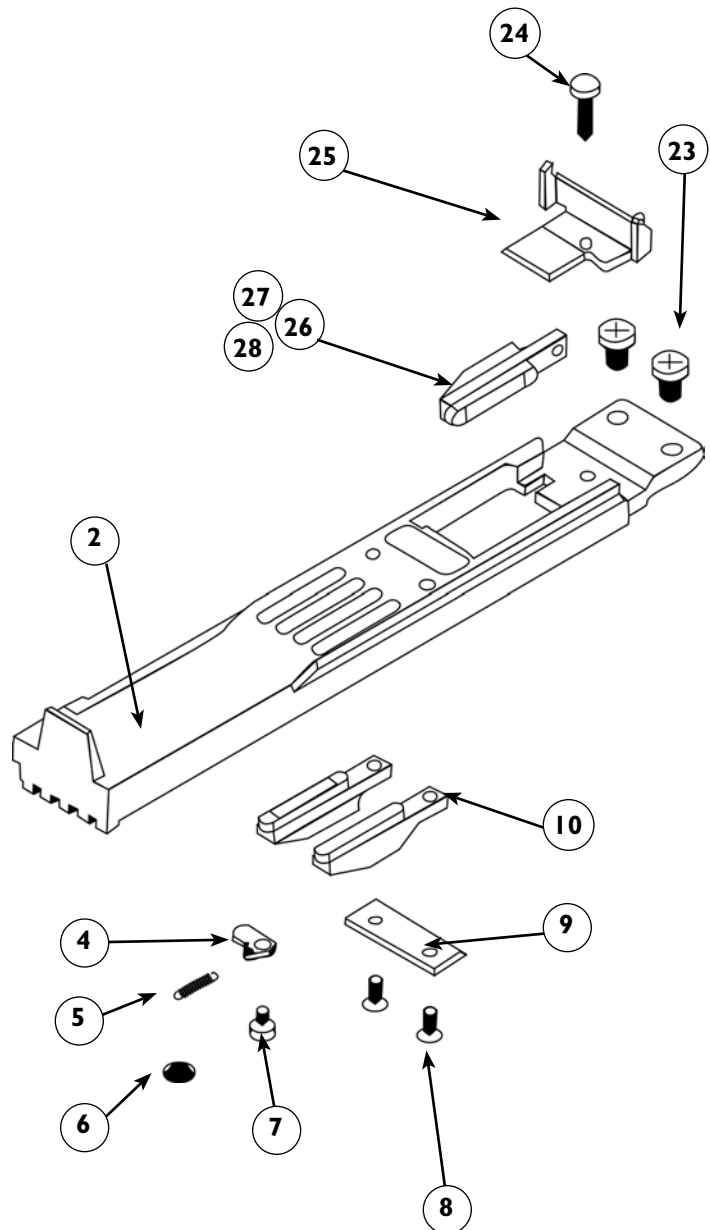
CALL TOLL FREE, USA and Canada 1-800-523-1510 • Fax 1-800-548-1638
270 Commerce Drive, Fort Washington, PA 19034 (215)628-0860 Fax (215)643-4623
Find us on the web @ www.esdcoin.com

©ESD 2017

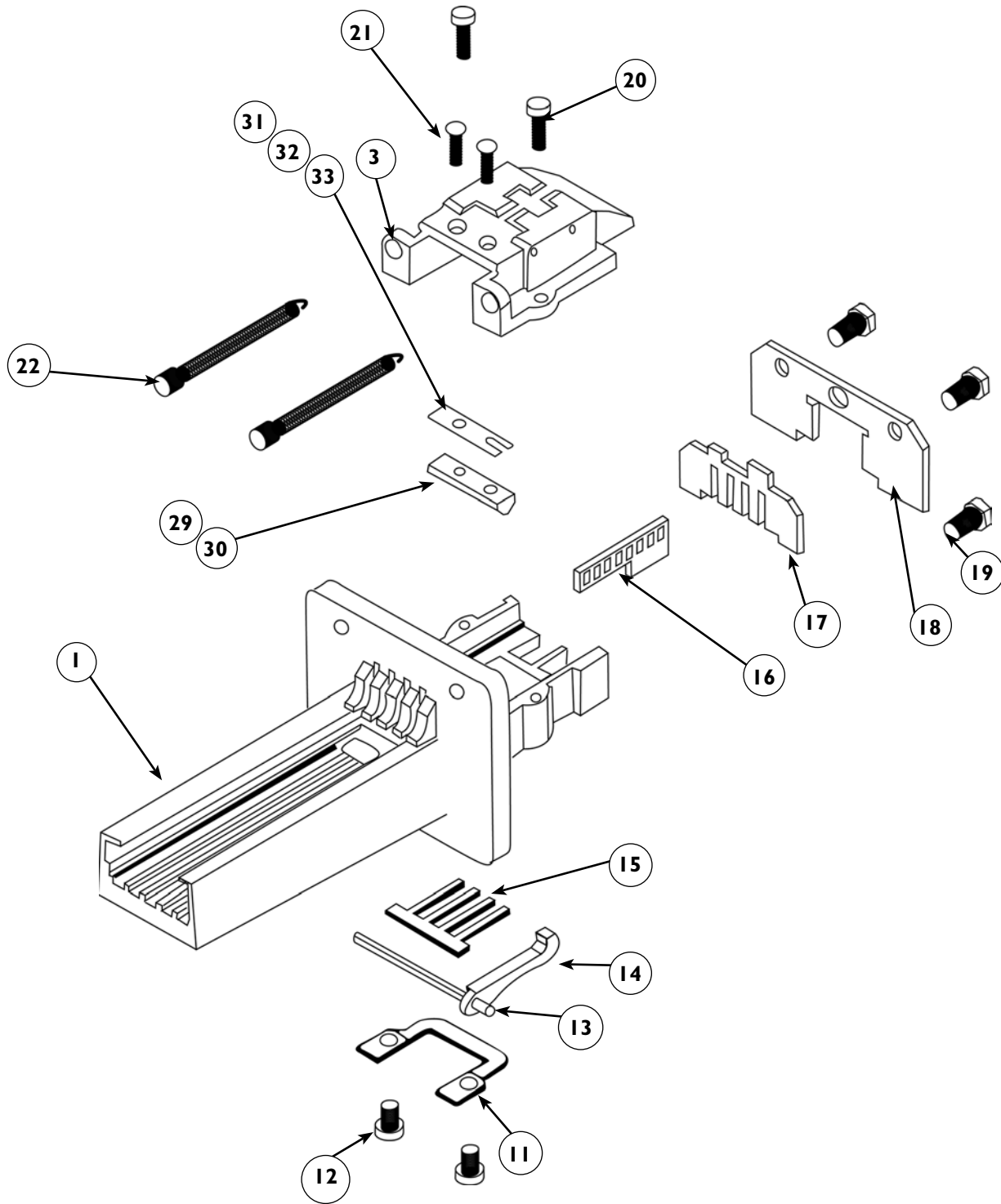
VERTICAL 4 PARTS LIST AND PRICES

| ITEM | PART # | DESCRIPTION | OFF |
|------|--------|----------------------------|-----|
| 1 | 21258 | BODY | 1 |
| 2 | 21752 | HANDLE | 1 |
| 3 | 21831 | BRIDGE | 1 |
| 4* | 20059 | RATCHET | 1 |
| 5* | 20065 | RATCHET SPRING | 1 |
| 6* | 20664 | SPRING RETAINER | 1 |
| 7* | 20736 | RATCHET SCREW | 1 |
| 8* | 21209 | INSERT RETAINER PLT. SCREW | 2 |
| 9‡ | 21754 | INSERT RETAINER PLATE | 1 |
| 10‡ | 21216 | BLANK INSERT | 4 |
| 11 | 20749 | BOTTOM PLATE | 1 |
| 12* | 50034 | BOTTOM PLATE SCREW | 2 |
| 13‡ | 20747 | PIVOT PIN | 1 |
| 14‡ | 20181 | LEVER | 4 |
| 15‡ | 20746 | LEAF SPRING | 1 |
| 16 | 21210 | RATCHET PLATE | 1 |
| 17 | 21265 | GATE | 1 |
| 18 | 21868 | GATE RETAINER | 1 |
| 19* | 20185 | LOCATION SCREW | 4 |
| 20* | 50033 | BRIDGE SCREW | 2 |
| 21* | 20662 | BRIDGE INSERT SCREW | 2 |
| 22‡ | 20963 | RETURN SPRING | 2 |
| 23* | 50035 | EXTENSION SCREW | 2 |
| 24* | 50032 | SPRING BRACKET SCREW | 1 |
| 25 | 20782 | SPRING BRACKET | 1 |
| 26‡ | 21194 | 10¢ FUNCTIONAL CORE | 1 |
| 27‡ | 21193 | 25¢ FUNCTIONAL CORE | 4 |
| 28 | 72116 | 65¢ BRIDGE SIZING BLOCK | 1 |

| | | | |
|-----|-------|------------------------|-----|
| 29 | 21913 | \$1 BRIDGE SIZING PLUG | OFF |
| 30* | 20779 | .015 SHIM | 2 |
| 32* | 20781 | .030 SHIM | 1 |



* SOLD IN MINIMUM QUANTITY OF 100 PER BAG
‡ SOLD IN MINIMUM QUANTITY OF 20 PER BAG



Prices are subject to change without notice.

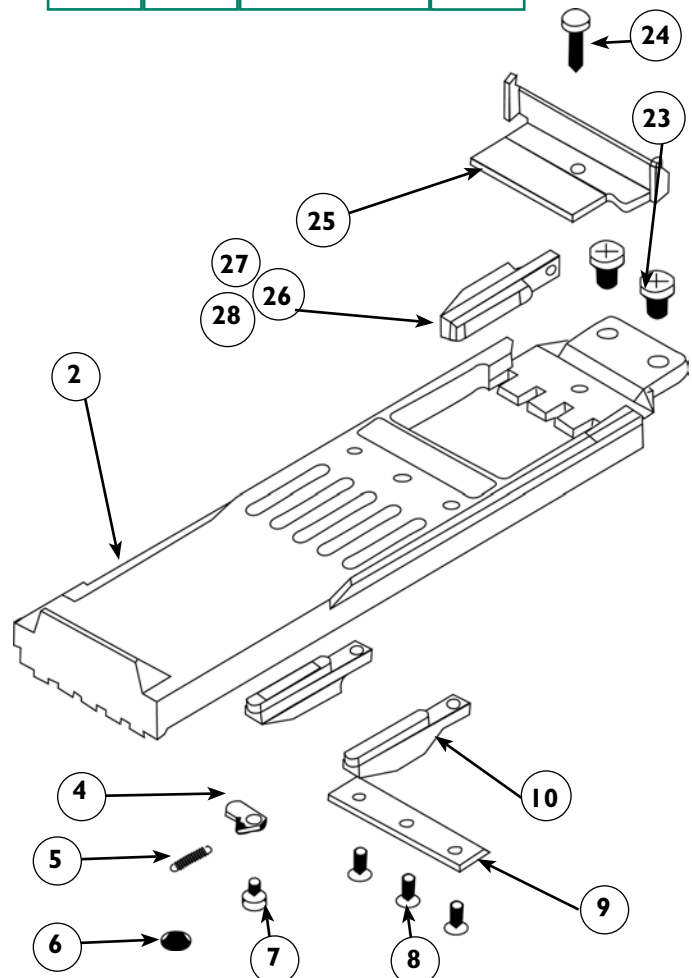


CALL TOLL FREE, USA and Canada 1-800-523-1510 • Fax 1-800-548-1638
270 Commerce Drive, Fort Washington, PA 19034 (215)628-0860 Fax (215)643-4623
Find us on the web @ www.esdcoin.com

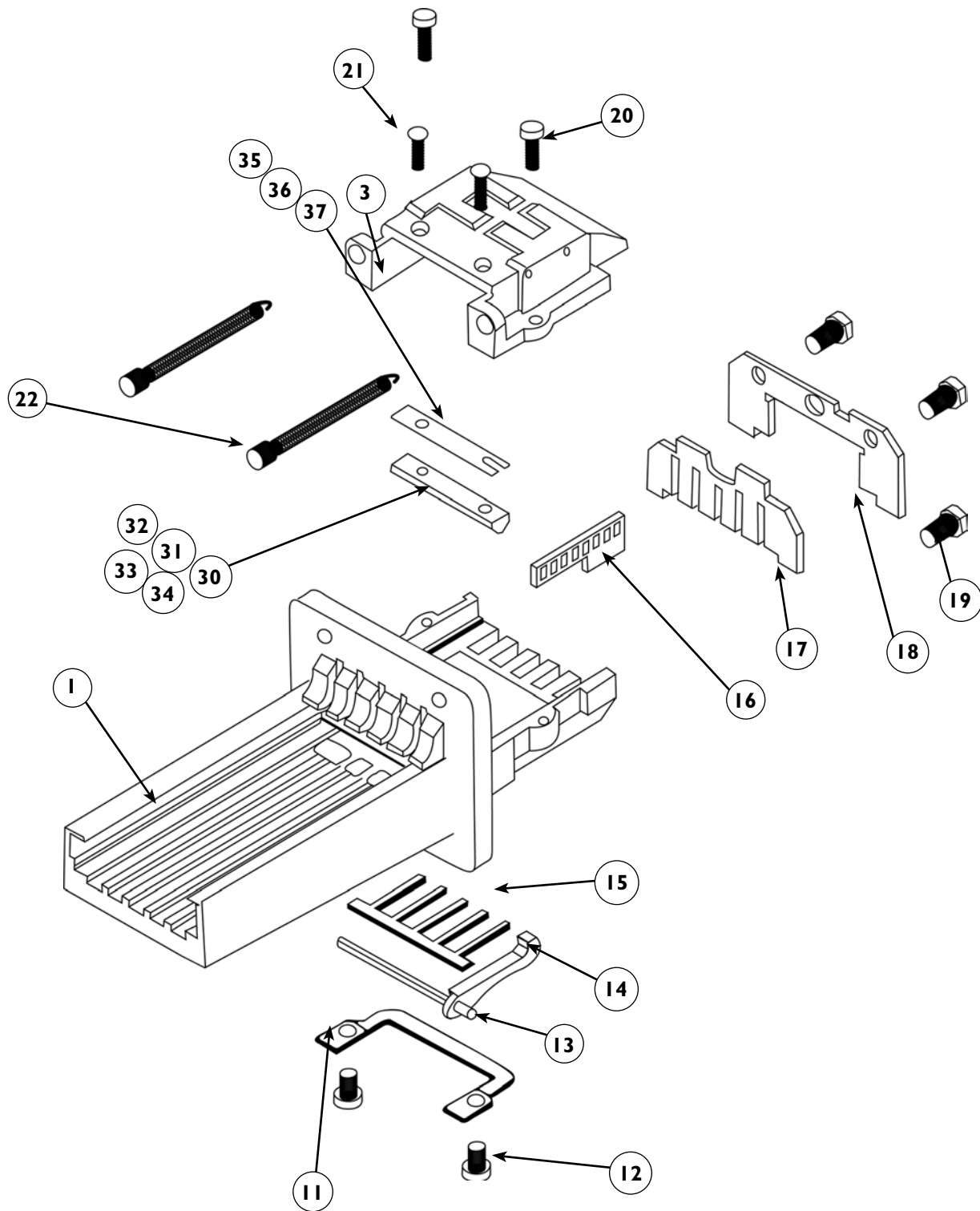
VERTICAL 5 PARTS LIST AND PRICES

| ITEM | PART # | DESCRIPTION | OFF |
|------|--------|----------------------------|-----|
| 1 | 21800 | BODY | 1 |
| 2 | 21242 | HANDLE | 1 |
| 3 | 21887 | BRIDGE | 1 |
| 4* | 20059 | RATCHET | 1 |
| 5* | 20065 | RATCHET SPRING | 1 |
| 6* | 20664 | RETAINER SPRING | 1 |
| 7* | 20736 | RATCHET SCREW | 1 |
| 8* | 21209 | INSERT RETAINER PLT. SCREW | 3 |
| 9‡ | 21256 | INSERT RETAINER PLATE | 1 |
| 10‡ | 21216 | BLANK INSERT | 5 |
| 11 | 21244 | BOTTOM PLATE | 1 |
| 12* | 50034 | BOTTOM PLATE SCREW | 2 |
| 13‡ | 21251 | PIVOT PIN | 1 |
| 14‡ | 20181 | LEVER | 5 |
| 15‡ | 21907 | LEAF SPRING | 1 |
| 16 | 21210 | RATCHET PLATE | 1 |
| 17 | 22246 | 5CN GATE | 1 |
| 18 | 21867 | GATE RETAINER | 1 |
| 19* | 20185 | LOCATION SCREW | 4 |
| 20* | 50033 | BRIDGE SCREW | 2 |
| 21* | 20662 | BRIDGE INSERT SCREW | 2 |
| 22‡ | 20963 | RETURN SPRING | 2 |
| 23* | 50035 | EXTENSION SCREW | 2 |
| 24* | 50032 | SPRING BRACKET SCREW | 1 |
| 25 | 21860 | SPRING BRACKET | 1 |
| 26‡ | 21194 | 10¢ FUNCTIONAL CORE | 1 |
| 27‡ | 21193 | 25¢ FUNCTIONAL CORE | 5 |
| 28‡ | 21281 | \$1.00 FUNCTIONAL CORE | 1-4 |

| ITEM | PART # | DESCRIPTION | OFF |
|------|--------|----------------------------|-----|
| 29 | 21288 | \$1.10 BRIDGE SIZING BLOCK | 1 |
| 30 | 21289 | \$1.25 BRIDGE SIZING BLOCK | 1 |
| 31 | 21290 | \$2.00 BRIDGE SIZING BLOCK | 1 |
| 32 | 21291 | \$2.75 BRIDGE SIZING BLOCK | 1 |
| 33 | 21292 | \$3.50 BRIDGE SIZING BLOCK | 1 |
| 34 | 21293 | \$4.25 BRIDGE SIZING BLOCK | 1 |
| 35 | 21253 | .015 SHIM | 1-2 |
| 36 | 21254 | .020 SHIM | 1 |
| 37 | 21255 | .030 SHIM | 1 |



* SOLD IN MINIMUM QUANTITY OF 100 PER BAG
‡ SOLD IN MINIMUM QUANTITY OF 20 PER BAG



Prices are subject to change without notice.

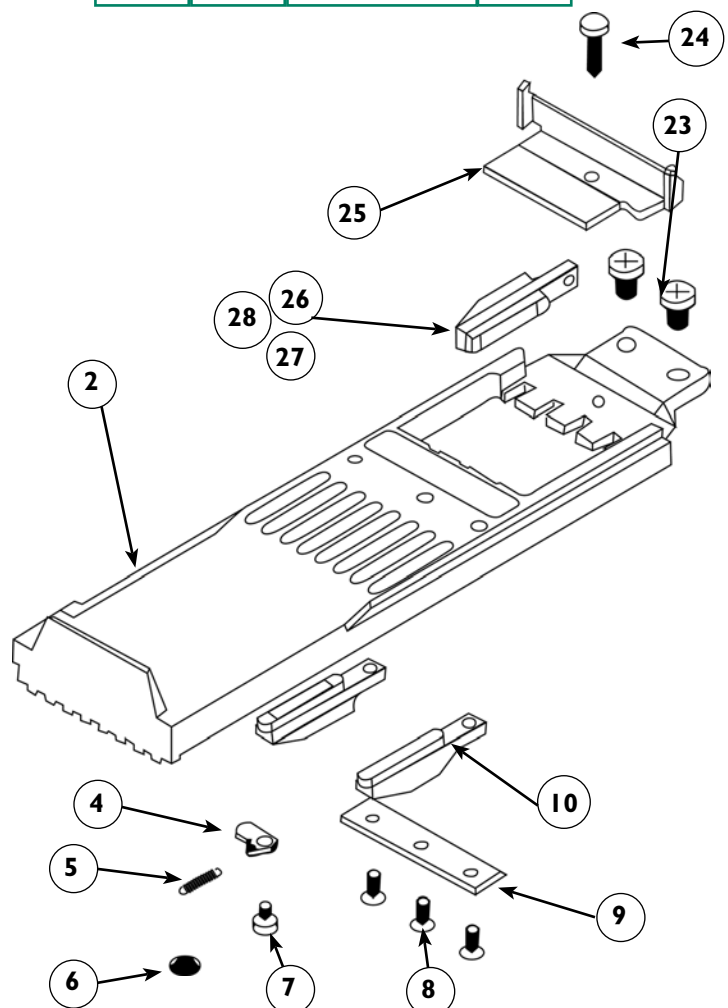


CALL TOLL FREE, USA and Canada 1-800-523-1510 • Fax 1-800-548-1638
270 Commerce Drive, Fort Washington, PA 19034 (215)628-0860 Fax (215)643-4623
Find us on the web @ www.esdcoin.com

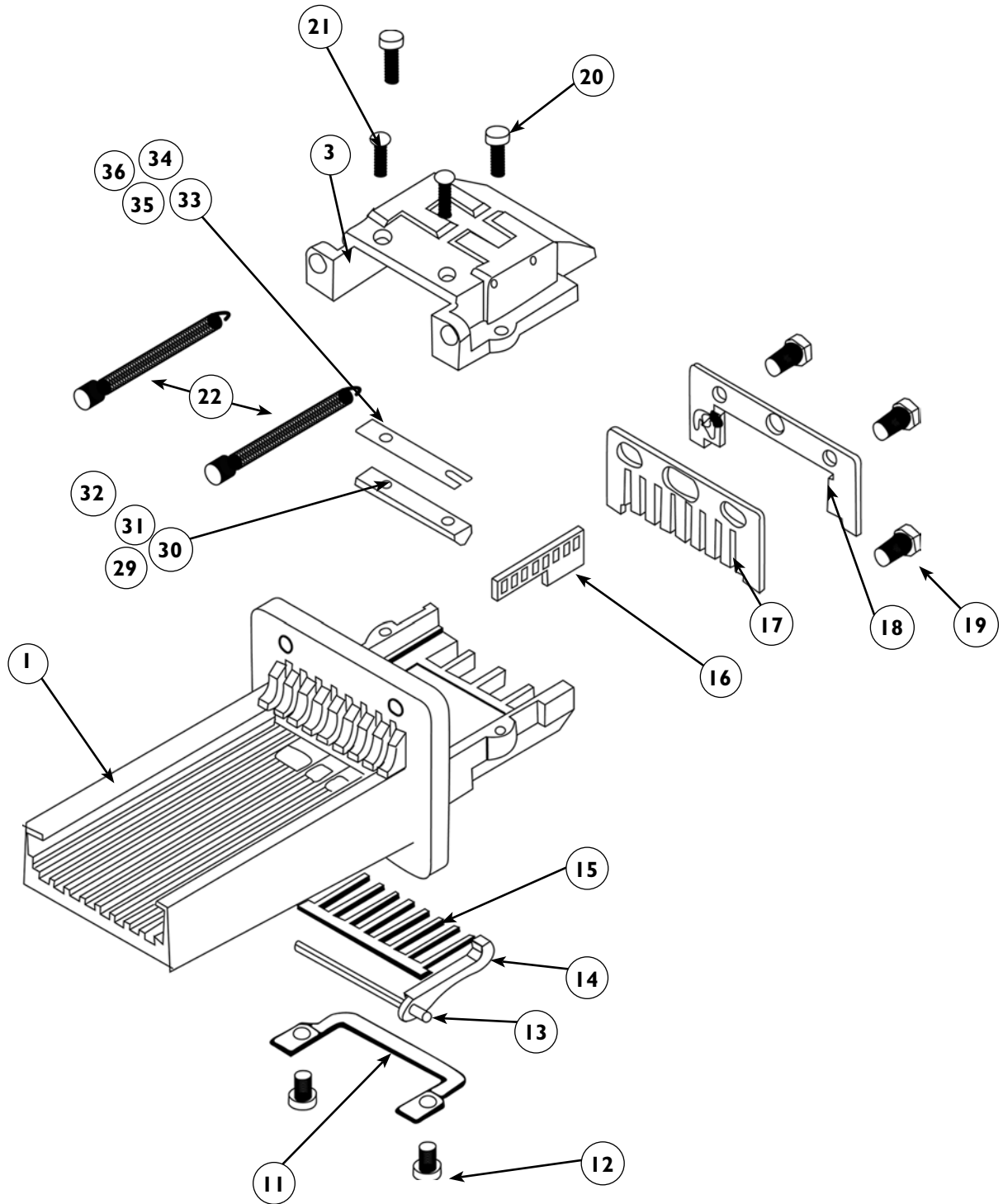
VERTICAL 8 PARTS LIST AND PRICES

| ITEM | PART # | DESCRIPTION | OFF |
|------|--------|----------------------------|-----|
| 1 | 21728 | BODY | 1 |
| 2 | 21727 | HANDLE | 1 |
| 3 | 22433 | BRIDGE | 1 |
| 4* | 20059 | RATCHET | 1 |
| 5* | 20065 | RATCHET SPRING | 1 |
| 6* | 20664 | RETAINER SPRING | 1 |
| 7* | 20736 | RATCHET SCREW | 1 |
| 8* | 21209 | INSERT RETAINER PLT. SCREW | 3 |
| 9‡ | 21738 | INSERT RETAINER PLATE | 1 |
| 10‡ | 21216 | BLANK INSERT | 8 |
| 11 | 20709 | BOTTOM PLATE | 1 |
| 12* | 50034 | BOTTOM PLATE SCREW | 2 |
| 13‡ | 20710 | PIVOT PIN | 1 |
| 14‡ | 20181 | LEVER | 8 |
| 15‡ | 20717 | LEAF SPRING | 1 |
| 16 | 21210 | RATCHET PLATE | 1 |
| 17 | 22284 | GATE | 1 |
| 18 | 22568 | GATE RETAINER | 1 |
| 19* | 20185 | LOCATION SCREW | 4 |
| 20* | 50033 | BRIDGE SCREW | 2 |
| 21* | 20662 | BRIDGE INSERT SCREW | 2 |
| 22‡ | 20963 | RETURN SPRING | 2 |
| 23* | 50035 | EXTENSION SCREW | 2 |
| 24* | 50032 | SPRING BRACKET SCREW | 2 |
| 25 | 21860 | SPRING BRACKET | 1 |
| 26‡ | 21194 | 10¢ FUNCTIONAL CORE | 1 |
| 27‡ | 21193 | 25¢ FUNCTIONAL CORE | 8 |
| 28‡ | 21281 | \$1.00 FUNCTIONAL CORE | 1-5 |

| ITEM | PART # | DESCRIPTION | OFF |
|------|--------|----------------------------|-----|
| 29 | 21758 | \$1.85 BRIDGE SIZING BLOCK | 1 |
| 30 | 21759 | \$2.00 BRIDGE SIZING BLOCK | 1 |
| 31 | 21760 | \$2.75 BRIDGE SIZING BLOCK | 1 |
| 32 | 21765 | \$5.75 BRIDGE SIZING BLOCK | 1 |
| 33 | 20732 | .010 SHIM | 1-3 |
| 34 | 20733 | .015 SHIM | 2 |
| 35 | 20734 | .020 SHIM | 1 |
| 36 | 20735 | .030 SHIM | 1 |



* SOLD IN MINIMUM QUANTITY OF 100 PER BAG
‡ SOLD IN MINIMUM QUANTITY OF 20 PER BAG



Prices are subject to change without notice.



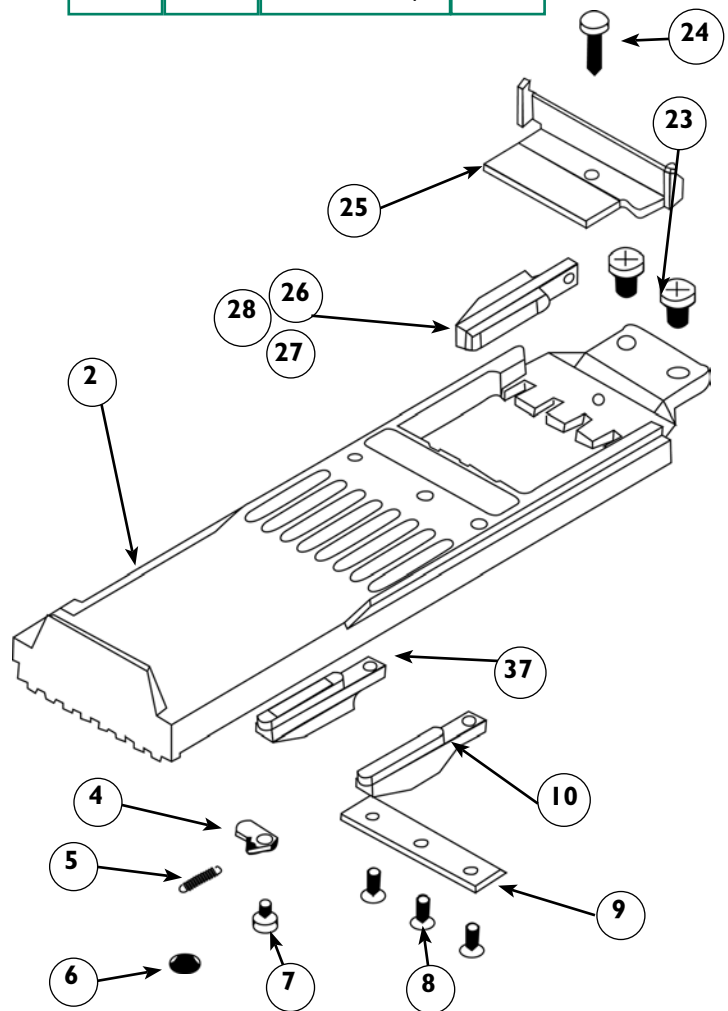
CALL TOLL FREE, USA and Canada 1-800-523-1510 • Fax 1-800-548-1638
270 Commerce Drive, Fort Washington, PA 19034 (215)628-0860 Fax (215)643-4623
Find us on the web @ www.esdcoin.com

©ESD 2017

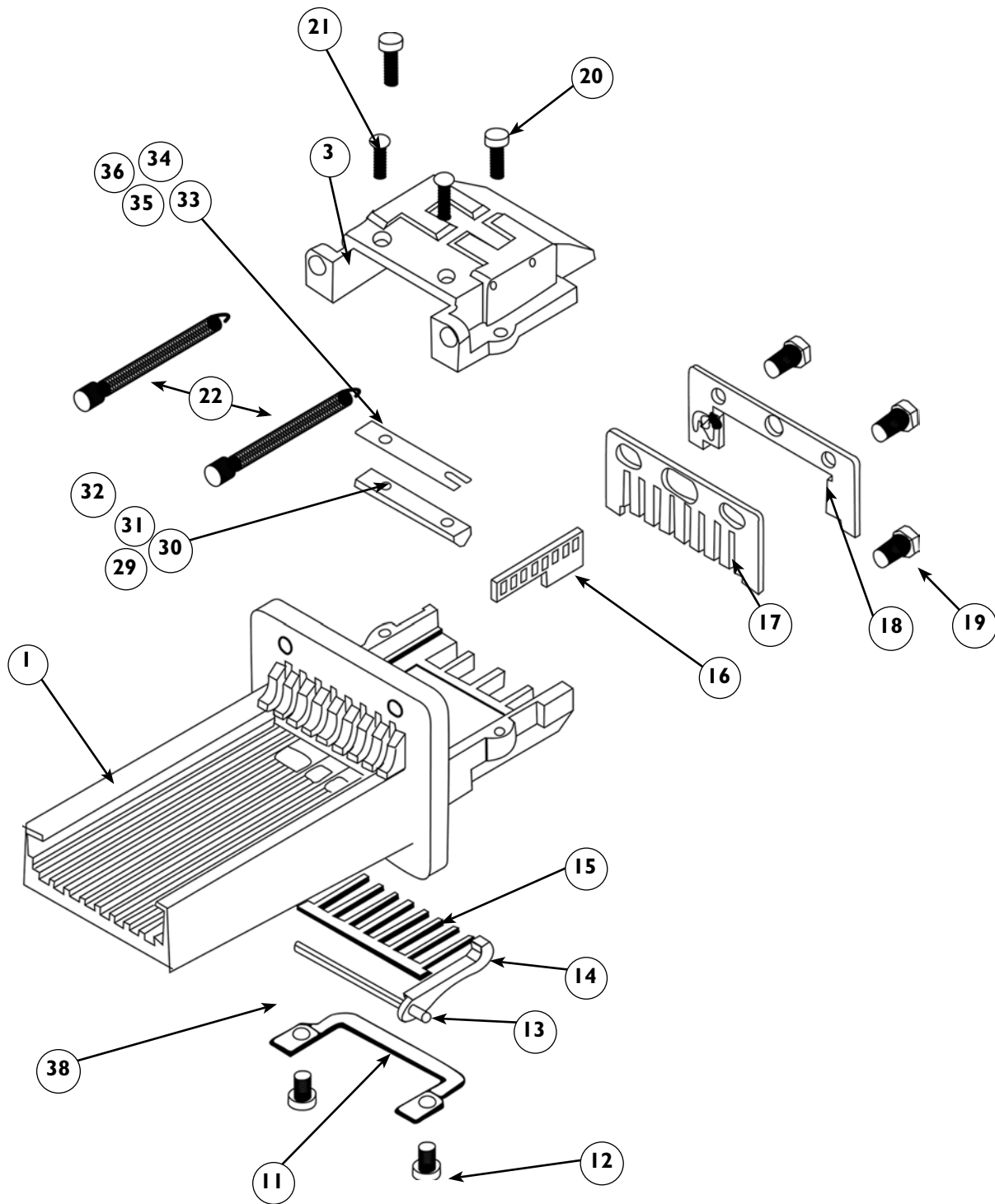
VERTICAL 14 PARTS LIST AND PRICES

| ITEM | PART # | DESCRIPTION | OFF |
|------|--------|----------------------------|-----|
| 1 | 22654 | BODY | 1 |
| 2 | 21727 | HANDLE | 1 |
| 3 | 22802 | BRIDGE | 1 |
| 4* | 20059 | RATCHET | 1 |
| 5* | 20065 | RATCHET SPRING | 1 |
| 6* | 20664 | RETAINER SPRING | 1 |
| 7* | 20736 | RATCHET SCREW | 1 |
| 8* | 21209 | INSERT RETAINER PLT. SCREW | 3 |
| 9‡ | 21738 | INSERT RETAINER PLATE | 1 |
| 10‡ | 21216 | BLANK INSERT | 8 |
| 11 | 22748 | BOTTOM PLATE | 1 |
| 12* | 50034 | BOTTOM PLATE SCREW | 2 |
| 13‡ | 20710 | PIVOT PIN | 1 |
| 14‡ | 20181 | LEVER | 8 |
| 15‡ | 20717 | LEAF SPRING | 1 |
| 16 | 22884 | RATCHET PLATE | 1 |
| 17 | 22701 | GATE | 1 |
| 18 | 23186 | GATE RETAINER | 1 |
| 19* | 20185 | LOCATION SCREW | 4 |
| 20* | 50033 | BRIDGE SCREW | 2 |
| 21* | 20662 | BRIDGE INSERT SCREW | 2 |
| 22‡ | 20963 | RETURN SPRING | 2 |
| 23* | 50035 | EXTENSION SCREW | 2 |
| 24* | 50032 | SPRING BRACKET SCREW | 2 |
| 25 | 21860 | SPRING BRACKET | 1 |
| 26‡ | 21194 | 10¢ FUNCTIONAL CORE | 1 |
| 27‡ | 21193 | 25¢ FUNCTIONAL CORE | 8 |
| 28‡ | 21281 | \$1.00 FUNCTIONAL CORE | 1-5 |
| 29 | 21758 | \$1.85 BRIDGE SIZING BLOCK | 1 |

| ITEM | PART # | DESCRIPTION | OFF |
|------|--------|----------------------------|-----|
| 30 | 21759 | \$2.00 BRIDGE SIZING BLOCK | 1 |
| 31 | 21760 | \$2.75 BRIDGE SIZING BLOCK | 1 |
| 32 | 21765 | \$5.75 BRIDGE SIZING BLOCK | 1 |
| 33 | 20732 | .010 SHIM | 1-3 |
| 34 | 20733 | .015 SHIM | 2 |
| 35 | 20734 | .020 SHIM | 1 |
| 36 | 20735 | .030 SHIM | 1 |
| 37 | 22655 | 50¢ Insert | 1 |
| 38 | 72270 | Lever Assembly | 1 |



* SOLD IN MINIMUM QUANTITY OF 100 PER BAG
‡ SOLD IN MINIMUM QUANTITY OF 20 PER BAG



Prices are subject to change without notice.



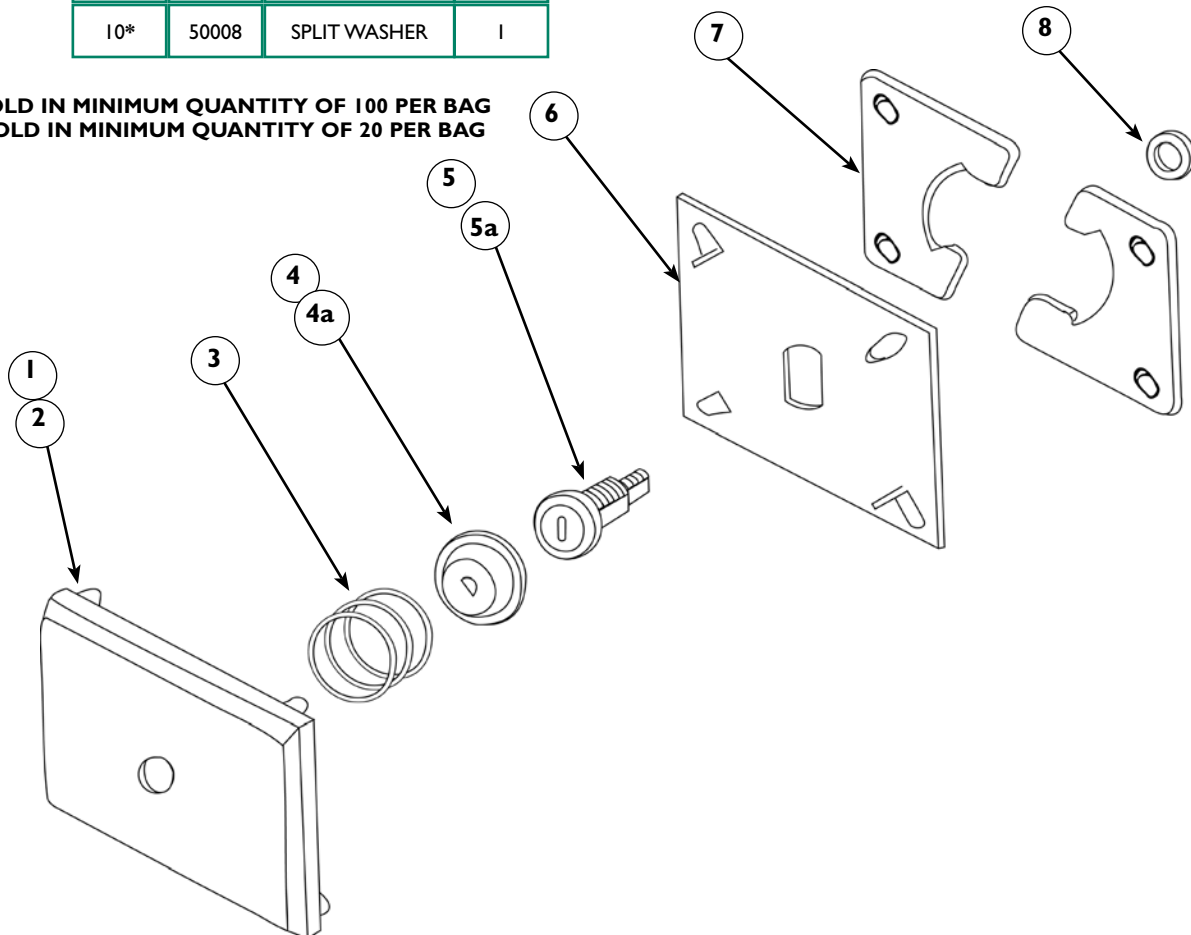
CALL TOLL FREE, USA and Canada 1-800-523-1510 • Fax 1-800-548-1638
270 Commerce Drive, Fort Washington, PA 19034 (215)628-0860 Fax (215)643-4623
Find us on the web @ www.esdcoin.com

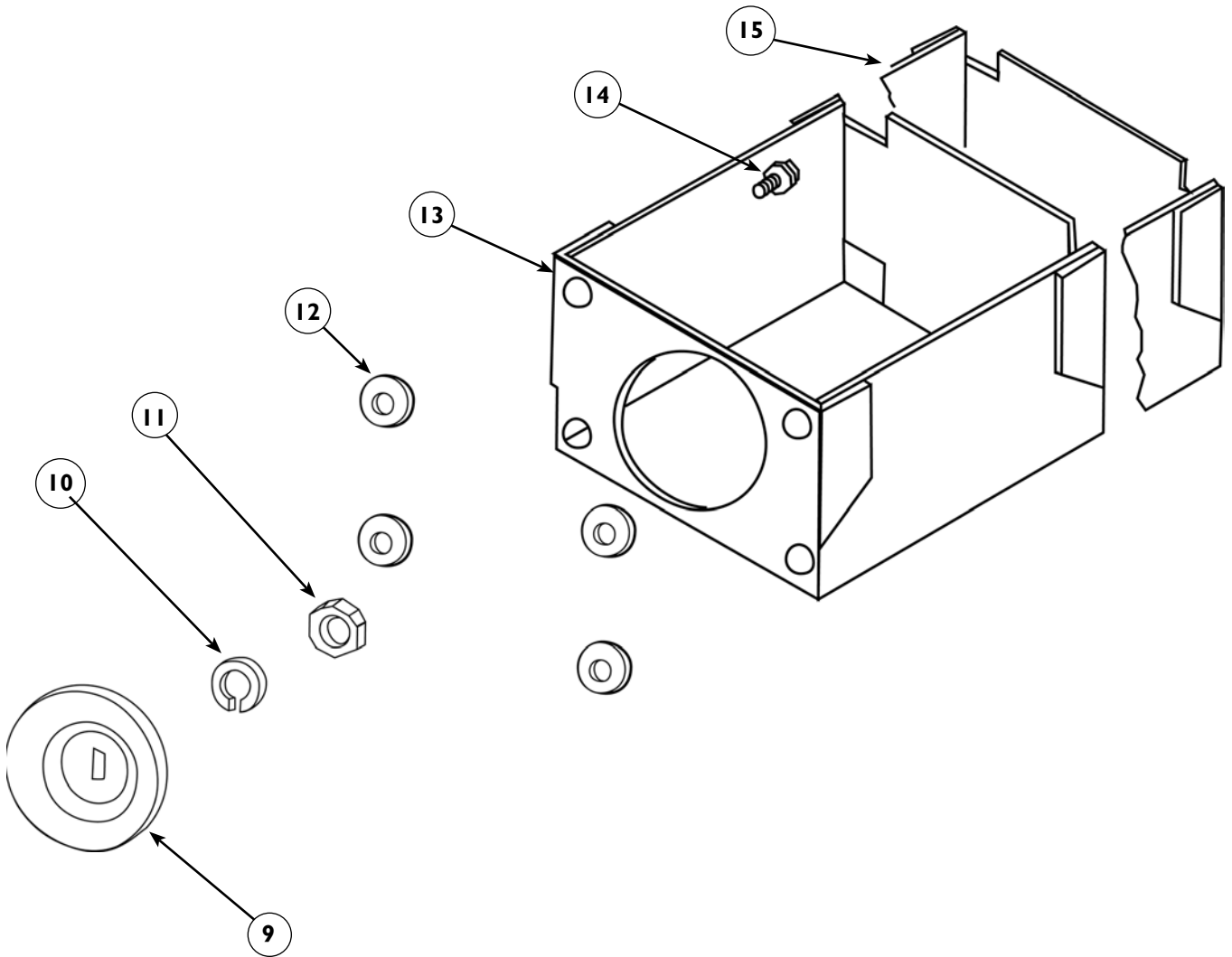
MONEY BOX PARTS LIST AND PRICES

| ITEM | PART # | DESCRIPTION | OFF |
|---------|----------|--------------------|-----|
| 1‡ | 20186XEP | ESD FACE | 1 |
| 2‡ | 20186XD | XD FACE | 1 |
| 3‡ | 20192 | COMPRESSION SPRING | 1 |
| 4 - 4A‡ | 21379 | SPINNER | 1 |
| 5 | 0600XEP | ESD MB LOCK | 1 |
| 5A | 0600XD | DUO MB LOCK | 1 |
| 6‡ | 20191 | LOCK HOLDER PLATE | 1 |
| 7‡ | 20189 | LOCKING PLATE | 2 |
| 8* | 20529 | PLASTIC WASHER | 1 |
| 9‡ | 20202 | ACTUATOR CAM | 1 |
| 10* | 50008 | SPLIT WASHER | 1 |

| ITEM | PART # | DESCRIPTION | OFF |
|------|---------|------------------|-----|
| 11* | 50014 | NUT | 1 |
| 12* | 50038 | HEX STUD WASHER | 4 |
| 14 | 50043 | STUD SCREW | 4 |
| 15 | 20205-L | LONG COIN TRAY | 1 |
| 16 | 21883 | X LONG COIN TRAY | 1 |
| 18* | 50045 | SM WAVE WASHER | 2 |
| 19* | 50028 | LARGE XD NUT | 1 |

* SOLD IN MINIMUM QUANTITY OF 100 PER BAG
‡ SOLD IN MINIMUM QUANTITY OF 20 PER BAG





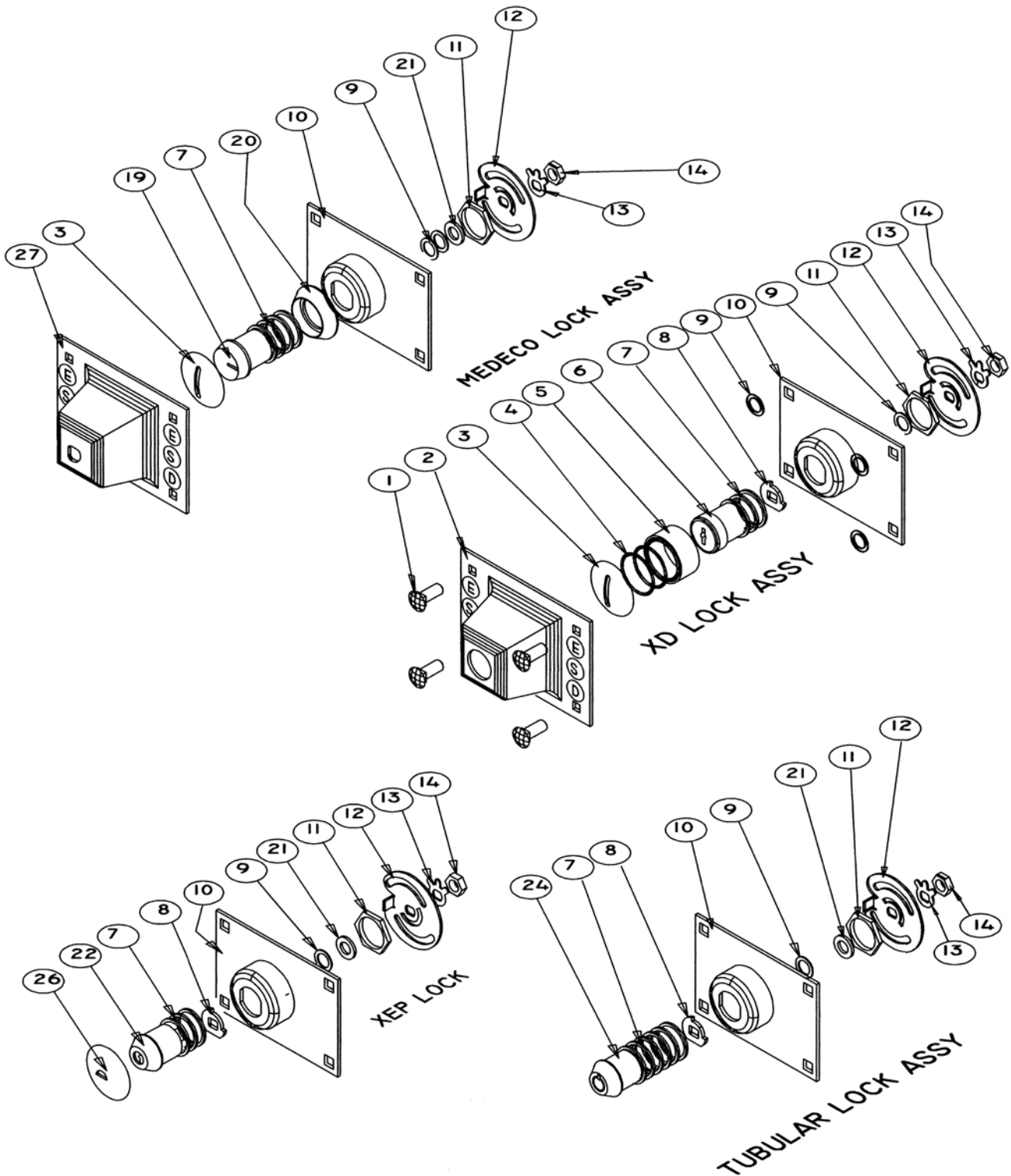
Prices are subject to change without notice.

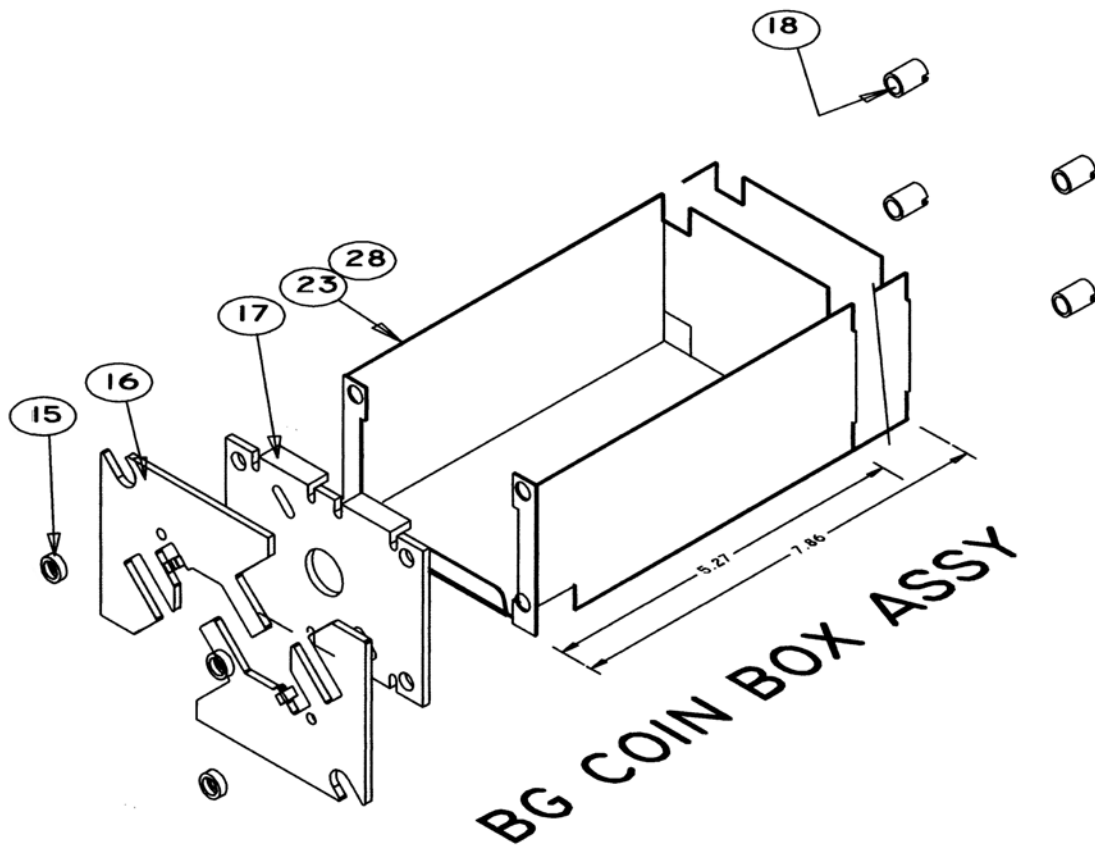


CALL TOLL FREE, USA and Canada 1-800-523-1510 • Fax 1-800-548-1638
270 Commerce Drive, Fort Washington, PA 19034 (215)628-0860 Fax (215)643-4623
Find us on the web @ www.esdcoin.com

©ESD 2017

MONEY BOX PARTS LIST AND PRICES





| ITEM | PART # | DESCRIPTION | OFF |
|------|---------|-----------------------|-----|
| 1 | 22039 | CARRIAGE BOLT | 4 |
| 2 | 20997 | FACE PLATE | 1 |
| 3 | 20984 | SPINNER | 1 |
| 4 | 20985 | SPRING | 1 |
| 5 | 20986 | SPACER-SPINNER | 1 |
| 6 | 0600XD | LOCK XD | |
| 7 | 20524 | WASHER LOCK SPACER | 4 |
| 8 | 20528 | CAM STOP 1/4 TURN | 1 |
| 9 | 21000 | WASHER | 4 |
| 10 | 20993 | LOCK HOLDER PLATE | 1 |
| 11 | 50028 | LOCK NUT 3/4-27 | 1 |
| 12 | 20983-M | CAM ACTUATOR | 1 |
| 13 | 71692 | RETAINING WASHER | 1 |
| 14 | 50014 | 9/32-28 HEX NUT | 1 |

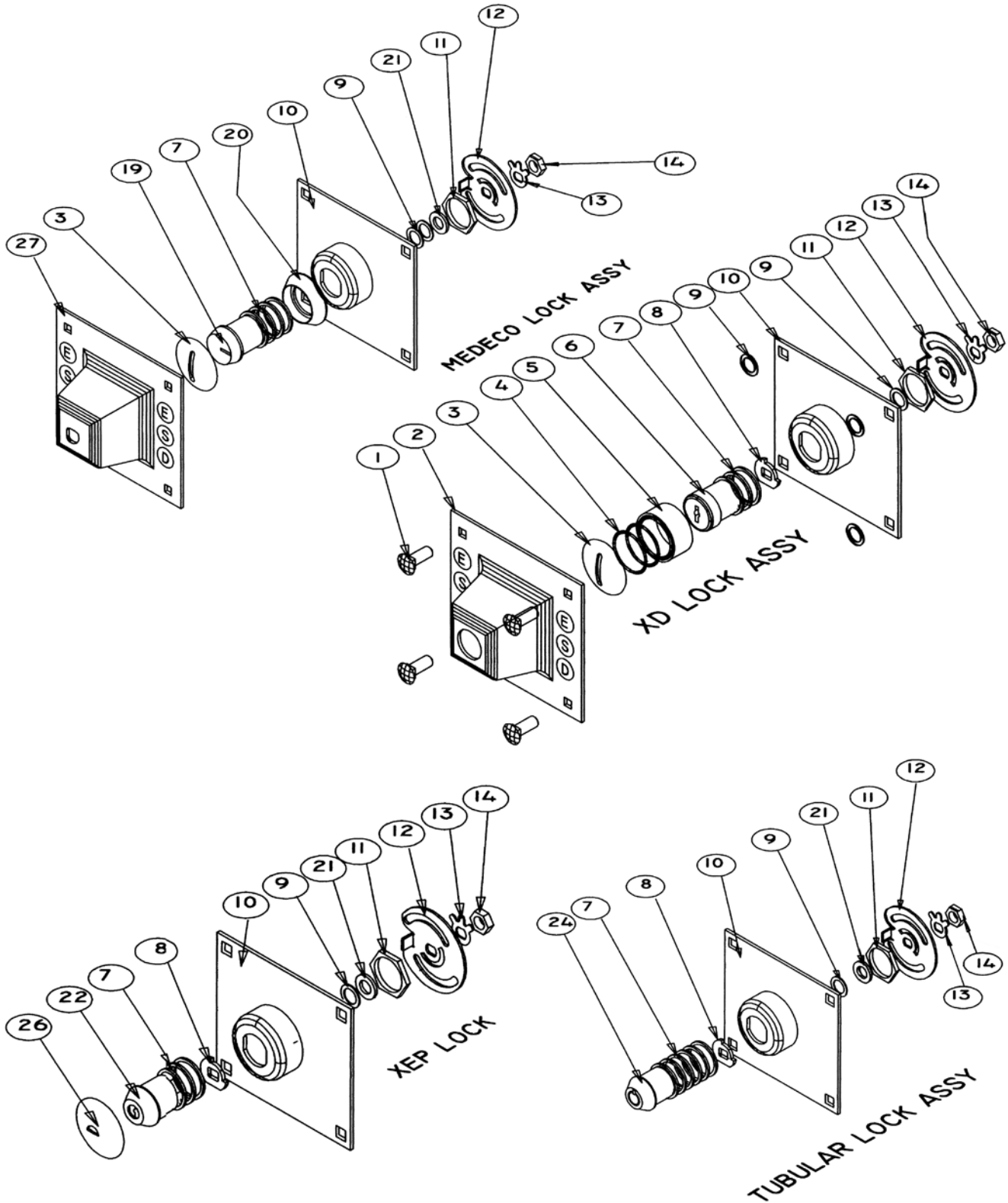
| ITEM | PART # | DESCRIPTION | OFF |
|------|---------|-----------------------------|-----|
| 15 | 20989 | SPACER LOCK HOLDER PLATE | 4 |
| 16 | 22079 | LOCKING PLATE | 2 |
| 17 | 22078 | LOCK SUPPORT PLATE | 1 |
| 18 | 20918 | NUT CARRIAGE BOLT | 4 |
| 19 | 0600 M | LOCK MEDECO | |
| 20 | 22059 | LOCK COLLAR | 1 |
| 21 | 21067 | WASHER | 1 |
| 22 | 0600XEP | LOCK XEP | |
| 23 | 22044 | COIN TRAY 7.86 LONG | 1 |
| 24 | 0600ET | TUBULAR | |
| 25 | 50013 | FLAT WASHER | 2 |
| 26 | 20998 | SPINNER XPE LOCK | 1 |
| 27 | 22496 | FACE MEDECO | 1 |
| 28 | 20999 | COIN TRAY 5.27 LONG | 1 |

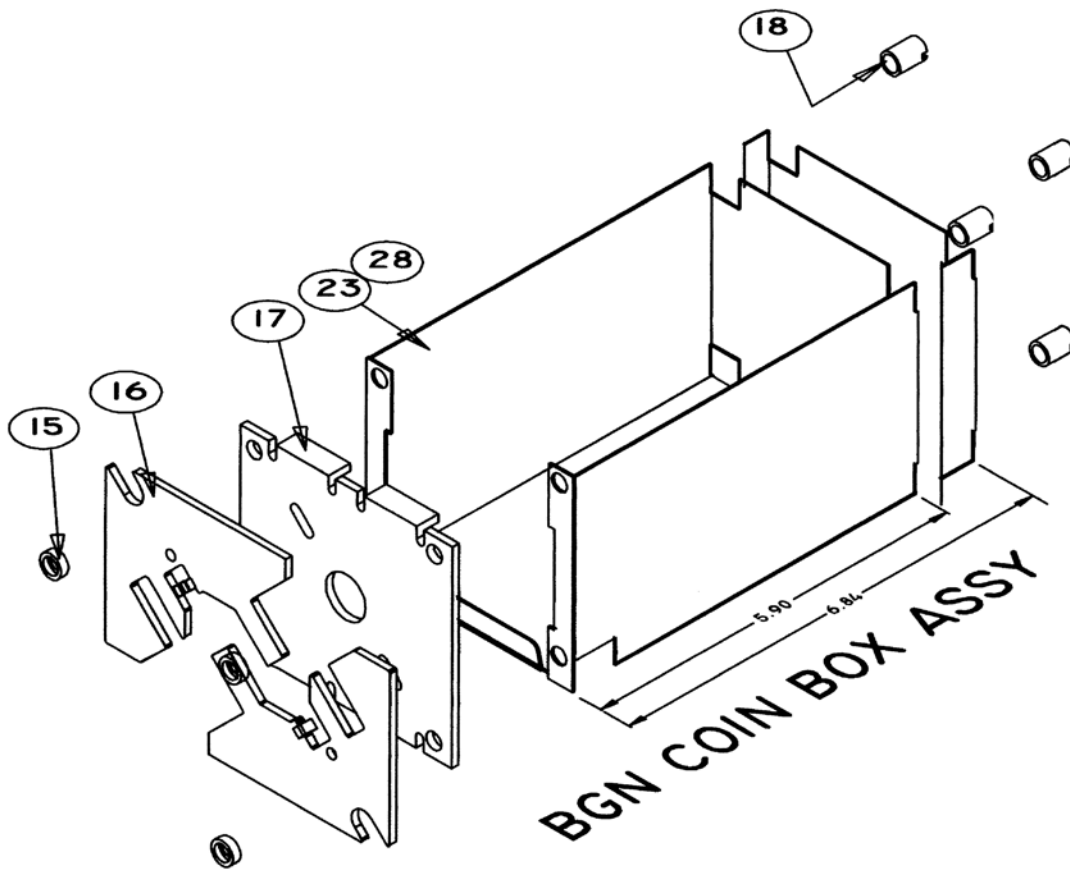
Prices are subject to change without notice.



CALL TOLL FREE, USA and Canada 1-800-523-1510 • Fax 1-800-548-1638
 270 Commerce Drive, Fort Washington, PA 19034 (215)628-0860 Fax (215)643-4623
 Find us on the web @ www.esdcoin.com

MONEY BOX PARTS LIST AND PRICES





| ITEM | PART # | DESCRIPTION | OFF |
|------|---------|-----------------------|-----|
| 1 | 22039 | CARRIAGE BOLT | 4 |
| 2 | 20978 | FACE PLATE | 1 |
| 3 | 20984 | SPINNER | 1 |
| 4 | 20985 | SPRING | 1 |
| 5 | 20986 | SPACER-SPINNER | 1 |
| 6 | 0600XD | LOCK XD | |
| 7 | 20524 | WASHER LOCK SPACER | 4 |
| 8 | 20528 | CAM STOP 1/4 TURN | 1 |
| 9 | 21000 | WASHER | 4 |
| 10 | 20979 | LOCK HOLDER PLATE | 1 |
| 11 | 50028 | LOCK NUT 3/4-27 | 1 |
| 12 | 20983-M | CAM ACTUATOR | 1 |
| 13 | 71692 | RETAINING WASHER | 1 |
| 14 | 50014 | 9/32-28 HEX NUT | 1 |

| ITEM | PART # | DESCRIPTION | OFF |
|------|---------|-----------------------------|-----|
| 15 | 20989 | SPACER LOCK HOLDER PLATE | 4 |
| 16 | 22081 | LOCKING PLATE | 2 |
| 17 | 22080 | LOCK SUPPORT PLATE | 1 |
| 18 | 20918 | NUT CARRIAGE BOLT | 4 |
| 19 | 0600 M | LOCK MEDECO | |
| 20 | 22059 | LOCK COLLAR | 1 |
| 21 | 21067 | WASHER | 1 |
| 22 | 0600XEP | LOCK XEP | |
| 23 | 22072 | COIN TRAY 6.84 LONG | 1 |
| 24 | 0600ET | TUBULAR | |
| 25 | 50013 | FLAT WASHER | 2 |
| 26 | 20998 | SPINNER XPE LOCK | 1 |
| 27 | 22496 | FACE MEDECO | 1 |
| 28 | 20982 | COIN TRAY 5.90 LONG | 1 |

Prices are subject to change without notice.

CALL TOLL FREE, USA and Canada 1-800-523-1510 • Fax 1-800-548-1638
 270 Commerce Drive, Fort Washington, PA 19034 (215)628-0860 Fax (215)643-4623
 Find us on the web @ www.esdcoin.com



CALL TOLL FREE, USA and Canada 1-800-523-1510 • Fax 1-800-548-1638
270 Commerce Drive, Fort Washington, PA 19034
(215)628-0860 Fax (215)643-4623
Find us on the web @ www.esdcoin.com