

# Mettler Toledo™ DigiTOL® Retrofit Kit

Stainless Steel, Rice Lake Weighing Systems/Flintec

## RC3 Load Cells



### Standard Features

- Stainless steel, hermetically sealed load cells
- Converts existing Mettler Toledo DigiTOL scale to an analog-based load cell weighing system
- Eight or ten load cells, cups, plus junction box and home run cable
- Load cells are NTEP Certified 1:10,000 divisions, Class III L\*
- Rocker design load cells
- Load cups

### Applications

- Toledo DigiTOL truck scale conversion

### Complete Kit Includes

- Kits include two or three JB304A or JB8SP junction boxes
- Eight, ten or twelve Flintec RC3
- 100 ft of hostile environment EL147HE SURVIVOR® load cell cable
- Cups included

### Load Cell Certifications



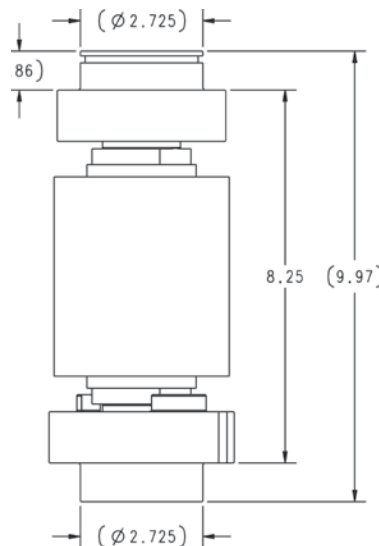
\*Consult your local Weights & Measures Authorities for local Legal for Trade requirements

Shown here with the JB8SP signal trim junction box  
Picture is a representation of actual product

This kit is designed to provide a cost effective solution for replacing Mettler Toledo™ DigiTOL® digital load cells with analog load cells. The Flintec® RC3 load cell is stainless steel and hermetically sealed to provide years of trouble-free service.

### DigiTOL Retrofit Order information

| Description                        | Part#         | Price       |
|------------------------------------|---------------|-------------|
| Eight mount kit (RC3-50T) RR/track | <b>129844</b> | \$11,995.00 |
| Eight mount (RC3-50T) truck        | <b>154347</b> | \$11,995.00 |
| Ten mount kit (RC3-50T) RR/track   | <b>111367</b> | \$14,795.00 |
| Ten mount kit (RC3-50T) truck      | <b>154348</b> | \$14,795.00 |
| Twelve mount kit (RC3-50T) truck   | <b>154349</b> | \$17,185.00 |



RC3-50t

