

EZ3000 Series Chloride Analysers

Applications

- Drinking water
- Surface water



Online ion-selective Chloride measurements in industrial and environmental applications

ISE technology for optimal analytical performance

With limited maintenance requirements and reduced reagent consumption, the EZ3000 Series are the ideal choice for a wide range of water monitoring applications where ion-selective electrodes are the preferred analytical technique. Outstanding precision and stability is guaranteed by the temperature-controlled measurement.

Direct, discontinuous ISE method

The EZ3000 Series uses discontinuous ISE analysis which enhances control over conversion of ion activity to electric potential. It also eliminates risk of cross-contamination between cycles and reduces overall reagents consumption.

The EZ3000 Series combine unique technology with a set of analysis, control and communication features in an industrial analyser mainframe with designed for the highest performance:

- Selection of different measuring ranges to match your application
- Smart automatic features
- Control and communication via industrial panel PC
- Analogue and digital output options
- Multiple stream analysis (up to 8 streams)

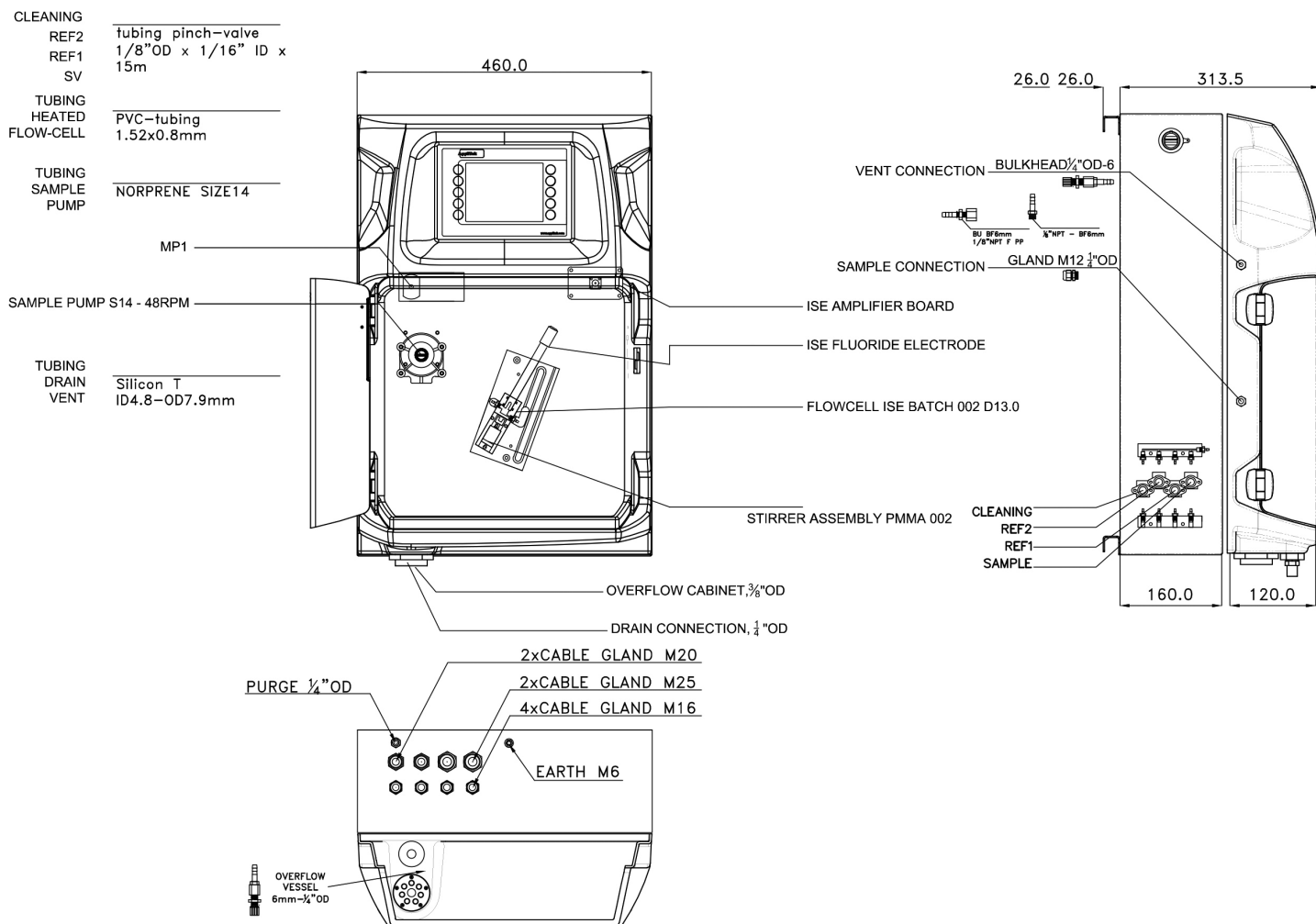
With the EZ3003 (1-10 mg/L), the EZ3004 (10-100 mg/L) and the EZ3005 (100-1,000 mg/L) there is a selection of measuring ranges available to match your application needs.

Technical Data*

Parameter	Chloride
Measurement method	Discontinuous, direct measurement by combined ion-selective electrode, conform with standard methods EPA 9212 and ASTM D512-12
Measuring range	1 - 10 mg/L Cl ⁻ 10 - 100 mg/L Cl ⁻ 100 - 1,000 mg/L Cl ⁻
Precision	Better than 2% full scale range for standard test solutions
Detection limit	≤ 1 mg/L
Interferences	Bromide, sulphide, iodide, cyanide ions may interfere. Mercury must be absent. Ammonia and thiosulphate may interfere. Fats, oil, proteins, surfactants and tar.
Cycle time	5 minutes
Automatic cleaning	Yes
Calibration	Automatic, 2-point; frequency freely programmable
Validation	Automatic; frequency freely programmable
Ambient temperature	10 - 30 °C ± 4 °C deviation at 5 - 95% relative humidity (non-condensing)
Reagent requirements	Keep between 10 - 30 °C
Sample pressure	By external overflow vessel
Flow rate	100 - 300 mL/min
Sample temperature	10 - 30 °C
Sample quality	Maximum particle size 100 µm, < 0.1 g/L; Turbidity < 50 NTU
Power	110 - 240 VAC, 4 A, 50/60 Hz Max. power consumption: 150 VA
Instrument air	Dry and oil free according to ISA-S7.0.01-1996 quality standard for instrument air
Demineralised water	For rinsing
Drain	Atmospheric pressure, vented, min. Ø 64 mm
Earth connection	Dry and clean earth pole with low impedance (< 1 Ohm) using an earth cable of > 2.5 mm ²
Analogue outputs	Active 4 - 20 mA max. 500 Ohm load, standard 1, max. 8 (option)
Digital outputs	Optional: RS232, Modbus (TCP/IP, RS485)
Alarm	1 x malfunctioning, 4 x user-configurable, max. 24 VDC/0.5 A, potential free contacts
Protection class	Analyser cabinet: IP55 / Panel PC: IP65
Material	Hinged part: Thermoform ABS, door: plexiglass Wall section: Galvanised steel, powder coated
Dimensions (H x W x D)	690 mm x 465 mm x 330 mm
Weight	25 kg
Certifications	CE compliant / UL certified

*Subject to change without notice.

Dimensions



Be confident with Hach Service

Start-Up/Commissioning: Our service technicians visit your site and setup instrumentation, provide basic end-user training on operations and maintenance, and validate settings and performance to get you started.

Service Agreement: Hach provides on-site and in-factory repair, preventive maintenance, and calibration programs for your instruments to ensure reliability and instrument up-time. We have services to fit your specific needs.

Order Information - Part Number Configurator

Standard range, 1-10 mg/L Cl ⁻	EZ3003.99						
Standard range, 10-100 mg/L Cl ⁻	EZ3004.99	X	X	X	X	X	2
Standard range, 100-1,000 mg/L Cl ⁻	EZ3005.99						
Measurement range settings / Dilution options							
25% of standard range		B					
50% of standard range		C					
Standard range		0					
Customised		Z					
Power supply							
Standard 110 - 240 VAC; 50/60 Hz			0				
Customised			Z				
Number of sample streams							
1 stream					1		
2 streams					2		
3 streams					3		
4 streams					4		
5 streams					5		
6 streams					6		
7 streams					7		
8 streams					8		
Outputs							
1x mA						1	
2x mA						2	
3x mA						3	
4x mA						4	
5x mA						5	
6x mA						6	
7x mA						7	
8x mA						8	
RS232						A	
Modbus TCP/IP						B	
Modbus RS485						C	
1x mA + Modbus RS485						E	
2x mA + Modbus RS485						F	
3x mA + Modbus RS485						G	
4x mA + Modbus RS485						H	
1x mA + Modbus TCP/IP						I	
2x mA + Modbus TCP/IP						J	
3x mA + Modbus TCP/IP						K	
4x mA + Modbus TCP/IP						L	
Customised / combined						Z	
Specials							
No adaption, standard version							0
Customer specific adaptations required, to specify							S