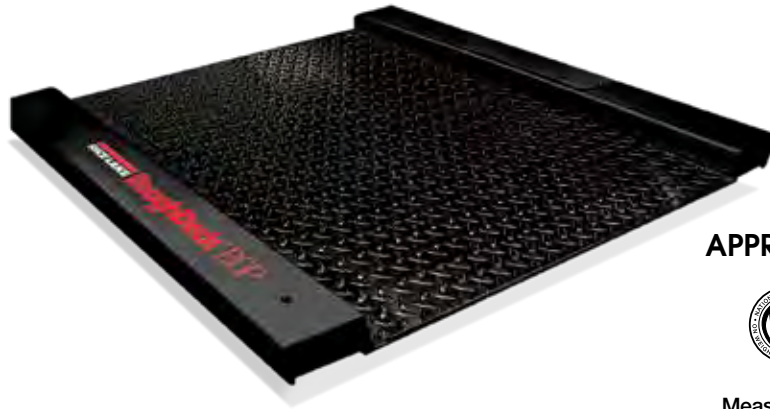


# RoughDeck® BDP Mild Steel

Barrel, Drum, Pallet Scale – Stationary Model



## APPROVALS



Measurement  
Canada  
Approved



## Specifications

### End Load Capacity:

1000 lb: 100% full scale  
2500 lb: 80% full scale

### Cable Length:

10 ft (3 m)

### Threaded Eyebolt:

Hole (1/2-13NC) located in center of deck for easy lifting

### Warranty:

RoughDeck BDP weldment three years, load cells two years, all other components one year

### Approvals:

NTEP CC 03-060, Class III 2,500d  
Measurement Canada AM-5578  
(500 kg) Class III 2,500d  
(1000 kg) Class III 2,000d

## Standard Features

- Live siderails
- Top access foot adjustment holes (holes are 1/2-13 threaded for lifting scale)
- Four adjustable stainless steel SUREFOOT™ support feet
- TuffSeal® JB4SS stainless steel, NEMA Type 4X junction box with signal trim card
- Treaded top plate
- Alloy steel load cells

## Part Number/Price

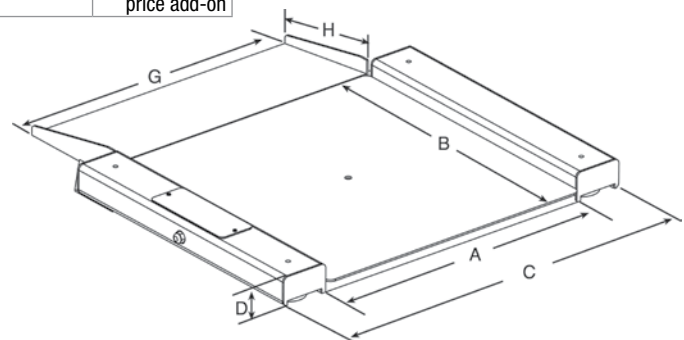
Part #	Size (W x L) Not Including Side Rails	Capacity (Canadian Approved Capacities)	Est. Weight	Price
77962	30 in x 31 in	1,000 lb (500 kg)	205 lb	\$1,595.00
77963	30 in x 31 in	2,500 lb (1,000 kg)	205 lb	\$1,595.00
77964	36 in x 37 in	1,000 lb (500 kg)	265 lb	\$1,695.00
77965	36 in x 37 in	2,500 lb (1,000 kg)	265 lb	\$1,695.00
<b>Access Ramps</b>				
78011	30 in x 12 in (sold individually)		25 lb	\$200.00
78012	36 in x 12 in (sold individually)		30 lb	\$200.00

## Options/Accessories

Part #	Description	Price
18777	Floor anchor plates, mild steel, set of 2 (for use with static scale, without ramps)	\$30.00
19352	RoughDeck floor stand for indicator, 36.3 in high, mild steel (for use with static scale)	\$205.00
126384	RoughDeck floor stand for indicator, 48 in high, mild steel	\$225.00
N/A	Mild steel deck with RL35023S stainless steel (cFMus approved) load cells, and hardware	+\$300.00 list price add-on
N/A	Mild steel deck with RLH35 welded seal IP67 stainless steel (FM approved) load cells and hardware	+\$500.00 list price add-on
N/A	Mild steel deck with RL35082 hermetically sealed IP69K stainless steel cFMus approved load cells and hardware	+\$800.00 list price add-on

## Dimensions Roughdeck BDP with access ramp

30 in x 31 in models			
A	30.0 in (762 mm)	D	3.31 in (84.1 mm)
B	31.0 in (787.4 mm)	G	30.0 in (762 mm)
C	40.0 in (1016 mm)	H	12.0 in (304.8 mm)
36 in x 37 in models			
A	36.0 in (914.4 mm)	D	3.31 in (84.1 mm)
B	37.0 in (939.8 mm)	G	36.0 in (914.4 mm)
C	46.0 in (1168.4 mm)	H	12.0 in (304.8 mm)



Distance from floor to top of center weighing surface: 1.625 in (41.2 mm)  
Distance from floor to bottom of weighing surface: 0.31 in (7.87 mm)

# RoughDeck® BDP Mild Steel

Barrel, Drum, Pallet Scale – Portable Model

## Standard Features

- Live siderails
- Top access foot adjustment holes
- Holes are 1/2-13 threaded for lifting scale
- Four adjustable stainless steel SUREFOOT™ support feet
- TuffSeal® JB4SS stainless steel, NEMA Type 4X junction box with signal trim card
- Treaded top plate
- Alloy steel load cells

## Specifications

### End Load Capacity:

- 1,000 lb: 100% full scale
- 2500 lb: 80% full scale

### Cable Length:

10 ft (3m)

### Threaded Eyebolt:

Hole (1/2-13NC) located in center of deck for easy lifting

### Warranty:

RoughDeck BDP weldment three years, load cells two years, all other components one year

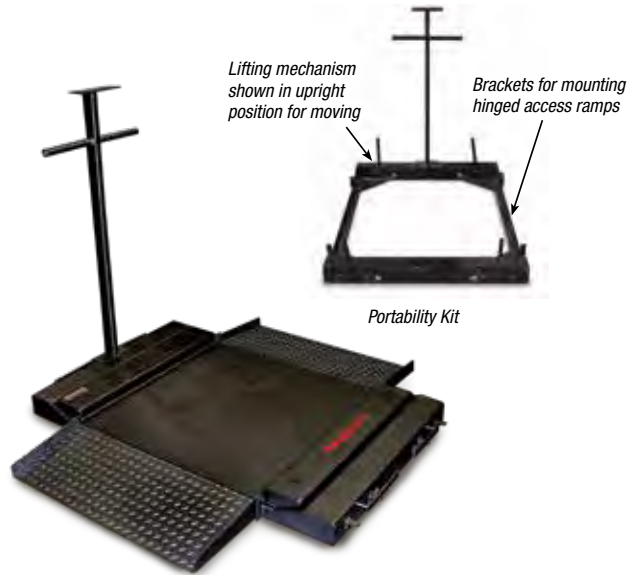
### Approvals:

NTEP CC 03-060, Class III 2,500 d  
Measurement Canada AM-5578  
(500 kg) Class III 2,500 d;  
(1000 kg) Class III 2,000 d

## APPROVALS



Measurement  
Canada  
Approved



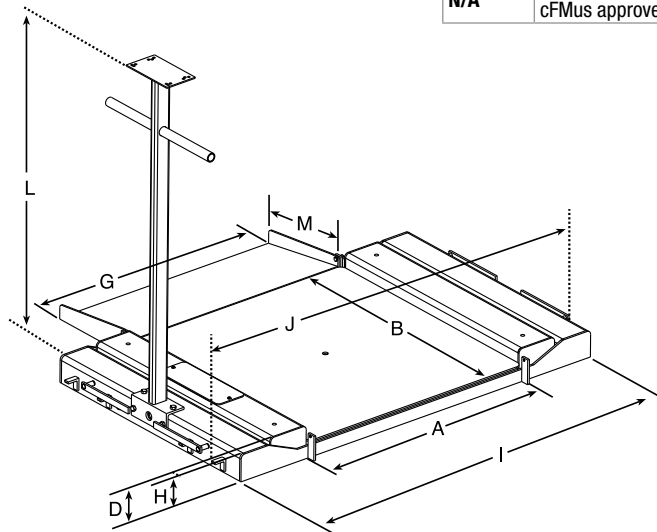
Scale shown with optional portability kit

## Part Number/Price

Part #	Size (W x L) Not Including Side Rails	Capacity (Canadian Approved Capacities)	Est. Weight	Price
77962	30 in x 31 in	1,000 lb (500 kg)	205 lb	\$1,595.00
77963	30 in x 31 in	2,500 lb (1,000 kg)	205 lb	\$1,595.00
77964	36 in x 37 in	1,000 lb (500 kg)	265 lb	\$1,695.00
77965	36 in x 37 in	2,500 lb (1,000 kg)	265 lb	\$1,695.00
<b>Portability Kits</b>				
Kits Include: Frame, two swivel and two fixed zinc plated steel NSF approved wheels (75lb max. load capacity), indicator stand				
78021	For use with 30 in x 31 in scale		90 lb	\$750.00
78022	For use with 36 in x 37 in scale		100 lb	\$750.00
<b>Hinged Access Ramps: For use with portability kit</b>				
78015	29.25 in x 12 in (sold individually)		25 lb	\$200.00
78016	35.25 in x 12 in (sold individually)		30 lb	\$200.00

## Options/Accessories

Part #	Description	Price
N/A	Mild steel deck with RL35023S stainless steel cFMus approved load cells, and hardware	+\$300.00 list price add-on
N/A	Mild steel deck with RLH35 welded-seal IP67 stainless steel FM approved load cells and hardware	+\$500.00 list price add-on
N/A	Mild steel deck with RL35082 hermetically sealed IP69K stainless steel cFMus approved load cells and hardware	+\$800.00 list price add-on



### Dimensions with portability frame & hinged access ramps

#### 30 in x 31 in models

A	30.0 in (762 mm)	I	49.25 in (1250.9 mm)
B	31.0 in (787.4 mm)	J	52.25 in (1327.1 mm)
D	3.66 in (92.9 mm)	L	40.37 in (1025.4 mm)
G	29.25 in (742.9 mm)	M	12.0 in (304.8 mm)
H	3.25 in (82.5 mm)		

#### 36 in x 37 in models

A	36.0 in (914.4 mm)	I	55.25 in (1403.4 mm)
B	37.0 in (939.8 mm)	J	58.25 in (1479.5 mm)
D	3.66 in (92.9 mm)	L	40.37 in (1025.4 mm)
G	35.25 in (895.3 mm)	M	12.0 in (304.8 mm)
H	3.25 in (82.5 mm)		

Distance from floor to top of center weighing surface: 1.94 in (49.2 mm)  
Distance from floor to bottom of weighing surface: 0.62 in (15.7 mm)