



COIN SLIDES



CALL TOLL FREE, USA and Canada 1-800-523-1510 • Fax 1-800-548-1638
270 Commerce Drive, Fort Washington, PA 19034 (215)628-0860 Fax (215)643-4623
Find us on the web @ www.esdcoin.com©

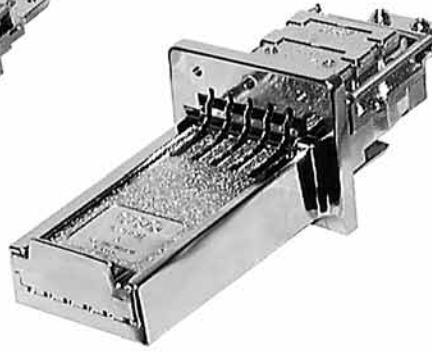
©ESD 2017

ESD TOKEN SLIDES

All Slides have Case Hardened Parts to Avoid Slamming



VERTICAL 4



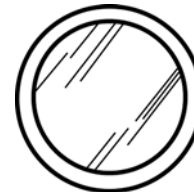
VERTICAL 5



VERTICAL 8

MODEL
V4-(Token Size)
V5-(Token Size)
V8-(Token Size)

MODEL	TOKEN SIZES ACCEPTED				
VERTICAL 4	.800	.882	.900	DD	
VERTICAL 5	.800	.882	.900	.984	1" DD
VERTICAL 8	.800	.882	.900	.984	1" DD



Round "DD"
Available Sizes in Stock Include:



.800 .882 .900 .984 1" and "DD"

TOKEN QUANTITIES UNDER 1000
TOKEN QUANTITIES OVER 1000

* Minimum token order quantity is 100 tokens



CALL TOLL FREE, USA and Canada 1-800-523-1510 • Fax 1-800-548-1638
270 Commerce Drive, Fort Washington, PA 19034 (215)628-0860 Fax (215)643-4623
Find us on the web @ www.esdcoin.com

TOKETTE I&2



#1 black (bl)



#2 black (bl)

**TOKETTES
ITEM# 21075**

21075-1-Color

21075-2-Color

**MINIMUM ORDER 1,000
AVAILABLE IN INCREMENTS OF 1,000 ONLY
STOCK COLOR: Black**



CALL TOLL FREE, USA and Canada 1-800-523-1510 • Fax 1-800-548-1638
270 Commerce Drive, Fort Washington, PA 19034 (215)628-0860 Fax (215)643-4623
Find us on the web @ www.esdcoin.com

©ESD 2017

ESD SPECIALTY TOKEN SLIDE TOKEN & QUARTER SLIDE

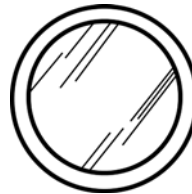
All Slides Have Case Hardened Parts To Resist Damage From Slamming



ESD SPECIALTY TOKEN SLIDE

MODEL
71673

MODEL	TOKEN SIZES ACCEPTED
71673	.984



Round
Available Size in Stock Includes:
.984

* Minimum token order quantity is 100 tokens

Standard pack is 20 to a carton.
Prices are subject to change without notice.

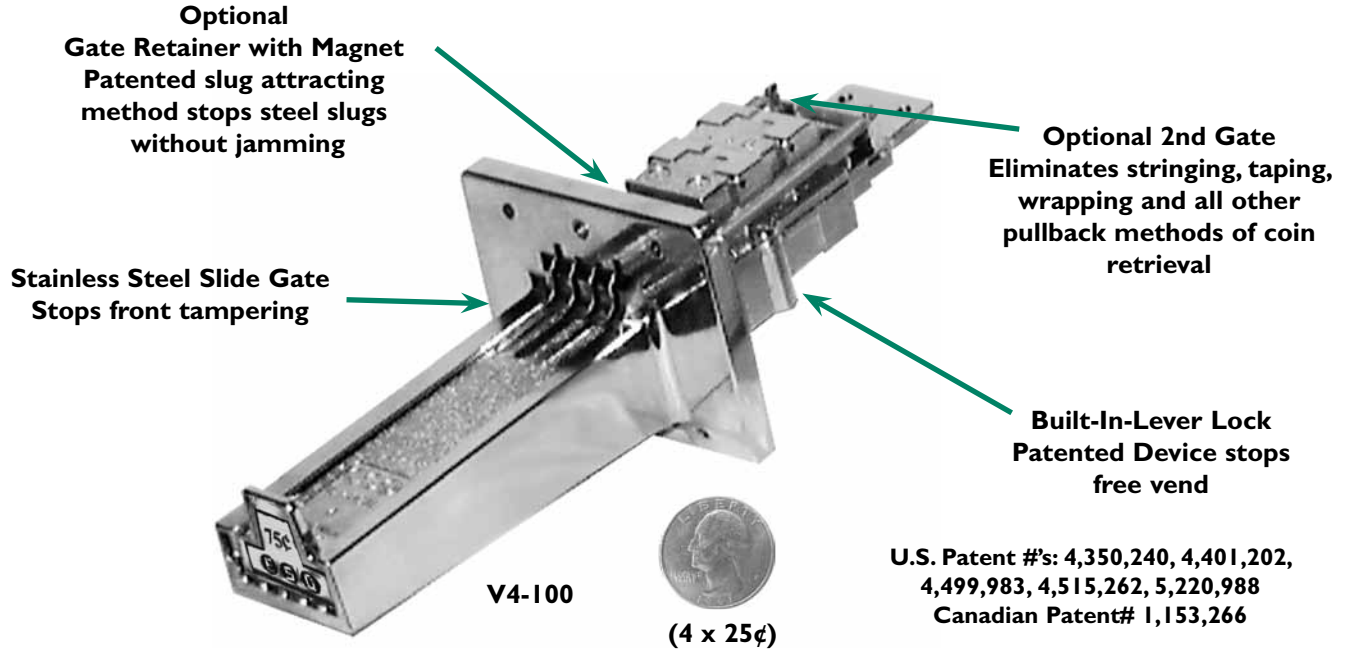


CALL TOLL FREE, USA and Canada 1-800-523-1510 • Fax 1-800-548-1638
270 Commerce Drive, Fort Washington, PA 19034 (215)628-0860 Fax (215)643-4623
Find us on the web @ www.esdcoin.com

ESD SLIDE VERTICAL 4[®]

WITH OPTIONAL SECURITY FEATURES

All Slides Have Case Hardened Parts To Resist Damage From Slamming



FEATURES:

- Variable price settings: 00¢ - 25¢ - 50¢ - 75¢ - \$1.00
- Vertical coin acceptance
- All steel security gate with solid metal bridge
- One step price changing - UP or DOWN in seconds without disassembly
- Exclusive dual return springs for smoother operation
- Fits all existing extensions and machines
- Total UP and DOWN multiple price flexibility for price increases, price decreases or price features. Factory pre-set pricing to suit needs
- Initial vend pricing is pre-set at factory as specified by customer

MODEL
V4-100*
V4-100GM

Standard pack is 20 to a carton.
Prices are subject to change without notice.



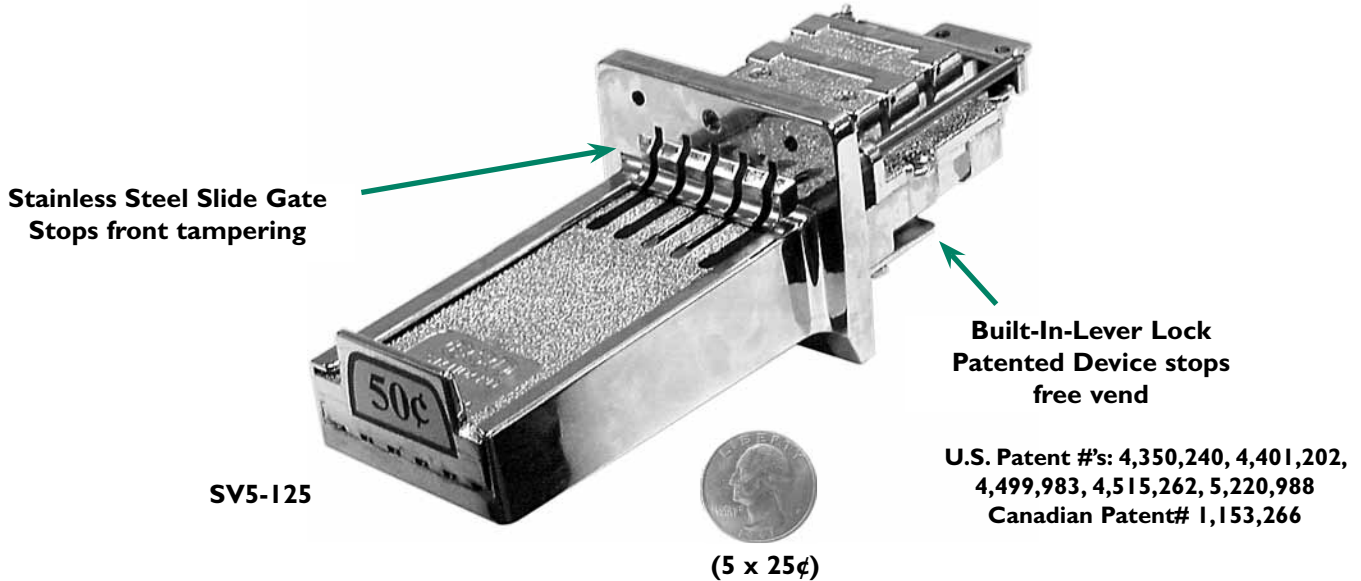
CALL TOLL FREE, USA and Canada 1-800-523-1510 • Fax 1-800-548-1638
270 Commerce Drive, Fort Washington, PA 19034 (215)628-0860 Fax (215)643-4623

Find us on the web @ www.esdcoin.com

©ESD 2017

ESD SLIDE STD VERTICAL 5[®]

All Slides Have Case Hardened Parts To Resist Damage From Slamming



FEATURES:

Variable price settings: 00¢ - 10¢ - 25¢ - 50¢ - 75¢ - \$1.00 - \$1.25

Vertical coin acceptance

All steel security gate with solid metal bridge

One step price changing - UP or DOWN in seconds without disassembly

Exclusive dual return springs for smoother operation

Fits all existing extensions and machines

Total UP and DOWN multiple price flexibility for price increases, price decreases or price features. Factory pre-set pricing to suit needs

MODEL
SV5-125

Standard pack is 20 to a carton.
Prices are subject to change without notice.



CALL TOLL FREE, USA and Canada 1-800-523-1510 • Fax 1-800-548-1638
270 Commerce Drive, Fort Washington, PA 19034 (215)628-0860 Fax (215)643-4623

Find us on the web @ www.esdcoin.com

©ESD 2017

ESD SLIDE VERTICAL 5®

SV5 200 SLIDE (US \$1.00 COIN or \$1.00 CANADIAN COIN)

All Slides Have Case Hardened Parts To Resist Damage From Slamming

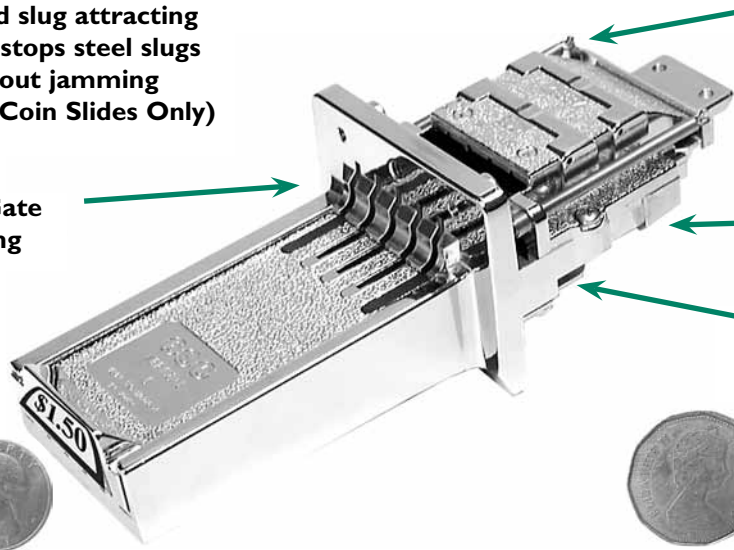
Optional*
Gate Retainer with Magnet
Patented slug attracting
method stops steel slugs
without jamming
(For U.S. Coin Slides Only)

2nd Gate
Eliminates stringing, taping,
wrapping and all other
pullback methods of coin
retrieval

Stainless Steel Slide Gate
Stops front tampering

Anti Straw Device
(Optional)

Built-In-Lever Lock
Patented Device stops
free vend



(1 x \$1.00 U.S.) (4 x 25¢)



(1 x \$1.00 CN) (1 x 25¢)

FEATURES:

- Fits all U.S. Machines
- Variable price settings 00¢ - \$3.50
- Accepts 1 dollar coins, quarters (singularly or in combination)
- Exclusive dual return springs for smoother operation
- All steel security gate with solid metal bridge
- One step price changing - UP OR DOWN in seconds without disassembly
- Fits all existing extensions and machines
- Total UP and DOWN multiple price flexibility for price increases, price decreases or price features
- Initial vend pricing is pre-set at factory as specified by customer

U.S. Patent #'s: 4,350,240, 4,401,202,
4,499,983, 4,515,262, 5,220,988
Canadian Patent# 1,153,266
Additional Patents Pending

When ordering specify model number: Model No. SV5-200, SV5-275, SV5-350

MODEL
SV5-200
SV5-275
SV5-350

Standard pack is 20 to a carton.
Prices are subject to change without notice.



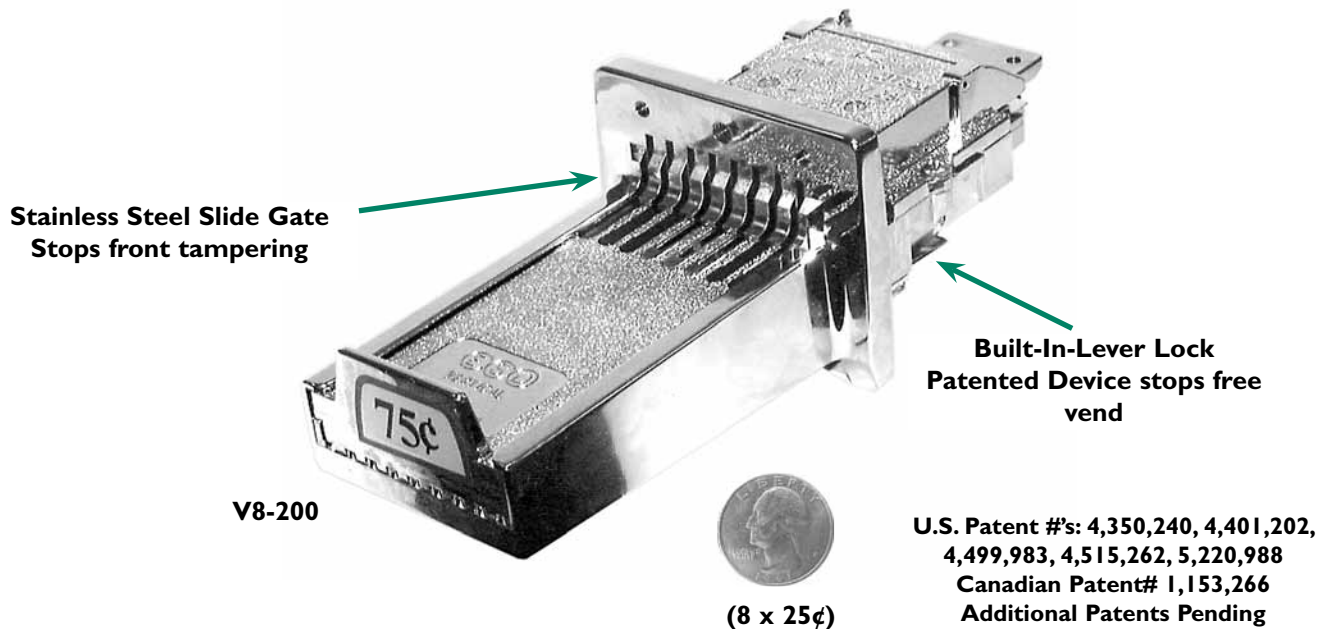
CALL TOLL FREE, USA and Canada 1-800-523-1510 • Fax 1-800-548-1638
270 Commerce Drive, Fort Washington, PA 19034 (215)628-0860 Fax (215)643-4623

Find us on the web @ www.esdcoin.com

©ESD 2017

ESD SLIDE STD VERTICAL 8[®]

All Slides Have Case Hardened Parts To Resist Damage From Slamming



FEATURES:

Variable price settings: 00¢ - 25¢ - 50¢ - 75¢ - \$1.00 - \$1.25 - \$1.50 - \$1.75 - \$2.00
Vertical coin acceptance
All steel security gate with solid metal bridge
One step price changing - UP or DOWN in seconds without disassembly
Exclusive dual return springs for smoother operation
Fits all existing extensions and machines
Total UP and DOWN multiple price flexibility for price increases, price decreases or price features. Factory pre-set pricing to suit needs

MODEL

V8-200

Standard pack is 20 to a carton.
Prices are subject to change without notice.



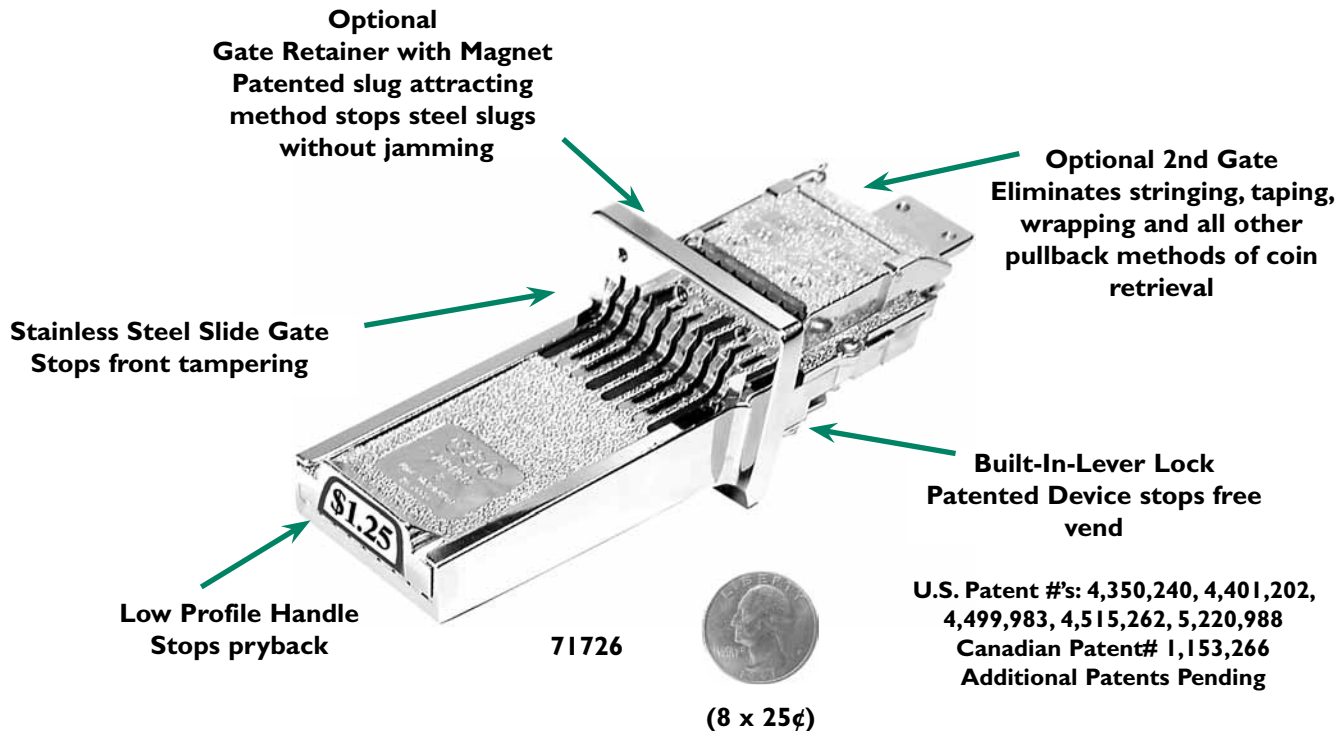
CALL TOLL FREE, USA and Canada 1-800-523-1510 • Fax 1-800-548-1638
270 Commerce Drive, Fort Washington, PA 19034 (215)628-0860 Fax (215)643-4623

Find us on the web @ www.esdcoin.com

©ESD 2017

ESD SLIDE VERTICAL 8[®] WITH OPTIONAL SECURITY FEATURES

All Slides Have Case Hardened Parts To Resist Damage From Slamming



FEATURES:

- Variable price settings :00¢ - 25¢ - 50¢ - 75¢ - \$1.00 - \$1.25 - \$1.50 - \$1.75 - \$2.00
- Vertical coin acceptance
- All steel security gate with solid metal bridge
- One step price changing - UP or DOWN in seconds without disassembly
- Fits all existing extensions and machines
- Total UP and DOWN multiple price flexibility for price increases, price decreases or price features
- Initial vend pricing is pre-set at factory as specified by customer

MODEL
71726
72102LHGM

Standard pack is 20 to a carton.
Prices are subject to change without notice.



CALL TOLL FREE, USA and Canada 1-800-523-1510 • Fax 1-800-548-1638
270 Commerce Drive, Fort Washington, PA 19034 (215)628-0860 Fax (215)643-4623
Find us on the web @ www.esdcoin.com

ESD SLIDE VERTICAL I4[®]

All Slides Have Case Hardened Parts To Resist Damage From Slamming

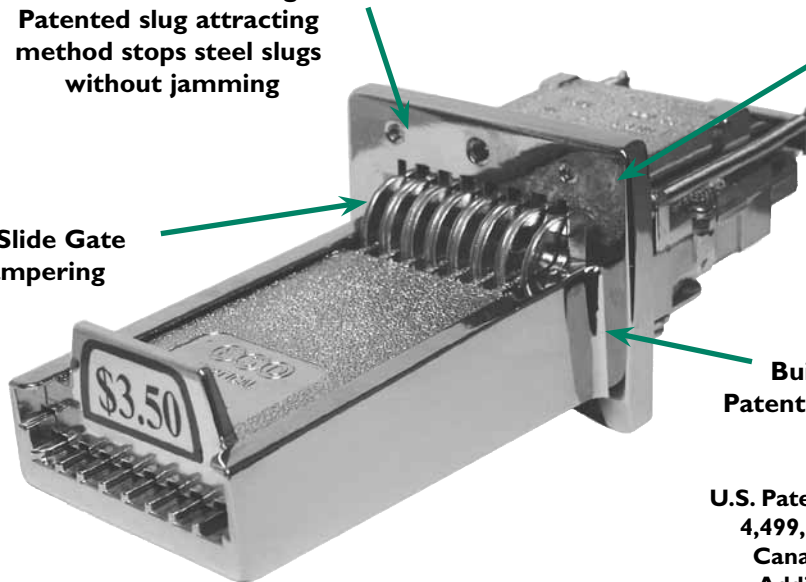
Optional
Gate Retainer with Magnet
Patented slug attracting
method stops steel slugs
without jamming

2nd Gate Eliminates
stringing, taping, wrapping
and all other pullback
methods of coin retrieval

Stainless Steel Slide Gate
Stops front tampering



(14 x 25¢)



Built-In-Lever Lock
Patented Device stops free
vend

U.S. Patent #'s: 4,350,240, 4,401,202,
4,499,983, 4,515,262, 5,220,988
Canadian Patent# 1,153,266
Additional Patents Pending

FEATURES:

- Variable price settings: 0-\$3.50
- Vertical coin acceptance
- All steel security gate with solid metal bridge
- One step price changing - UP or DOWN in seconds without disassembly
- Exclusive dual return springs for smoother operation
- Fits all existing extensions and machines
- Total UP and DOWN multiple price flexibility for price increases, price decreases or price features. Factory pre-set pricing to suit needs

MODEL
72198
72198GM
72198LHGM

Standard pack is 20 to a carton.
Prices are subject to change without notice.



CALL TOLL FREE, USA and Canada 1-800-523-1510 • Fax 1-800-548-1638
270 Commerce Drive, Fort Washington, PA 19034 (215)628-0860 Fax (215)643-4623
Find us on the web @ www.esdcoin.com

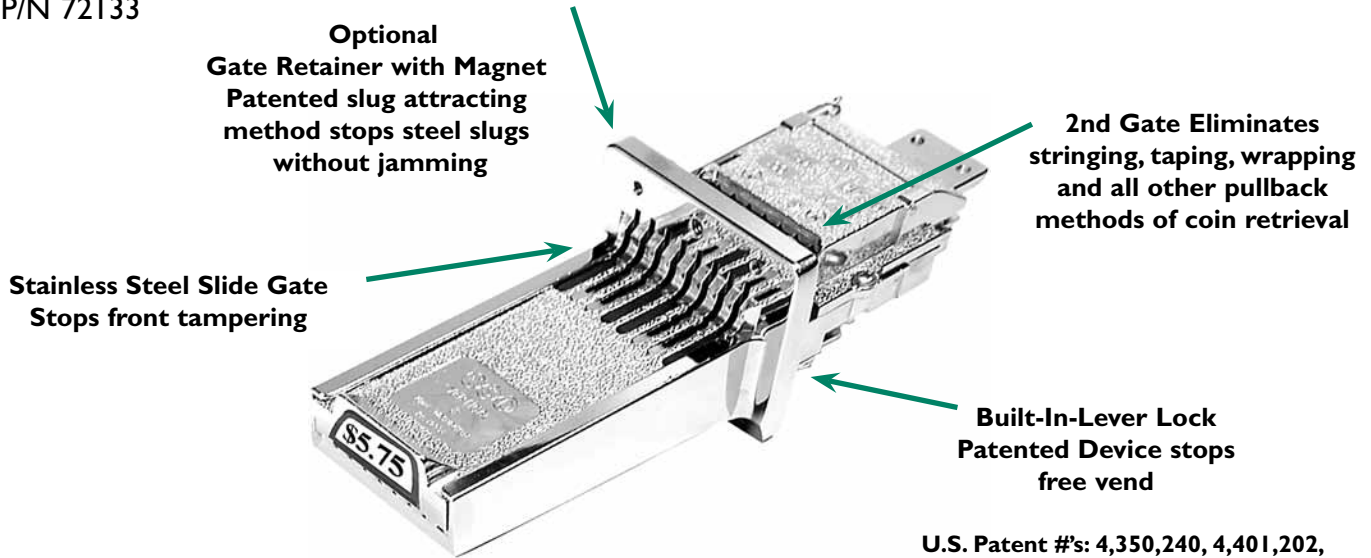
©ESD 2017

ESD SLIDE VERTICAL 8®

(Sacagawea \$1.00 coin or Canadian \$1.00 coin)

All Slides Have Case Hardened Parts To Resist Damage From Slamming

P/N 72133



U.S. Patent #'s: 4,350,240, 4,401,202,
4,499,983, 4,515,262, 5,220,988
Canadian Patent# 1,153,266
Additional Patents Pending

FEATURES:

- Variable price settings: 0-\$6.50
- Vertical coin acceptance
- All steel security gate with solid metal bridge
- One step price changing - UP or DOWN in seconds without disassembly
- Exclusive dual return springs for smoother operation
- Fits all existing extensions and machines
- Total UP and DOWN multiple price flexibility for price increases, price decreases or price features. Factory pre-set pricing to suit needs

MODEL
72133*

* Part Number 72133 =
A Vertical 8 Coin Slide
with a maximum vend price
of \$2.75 (1 x \$1, 7 x 25¢)

Standard pack is 20 to a carton.
Prices are subject to change without notice.



‡ Part Number V8-650 =
A Vertical 8 Coin Slide
with a maximum vend price
of \$6.50 (6 x \$1, 2 x 25¢)

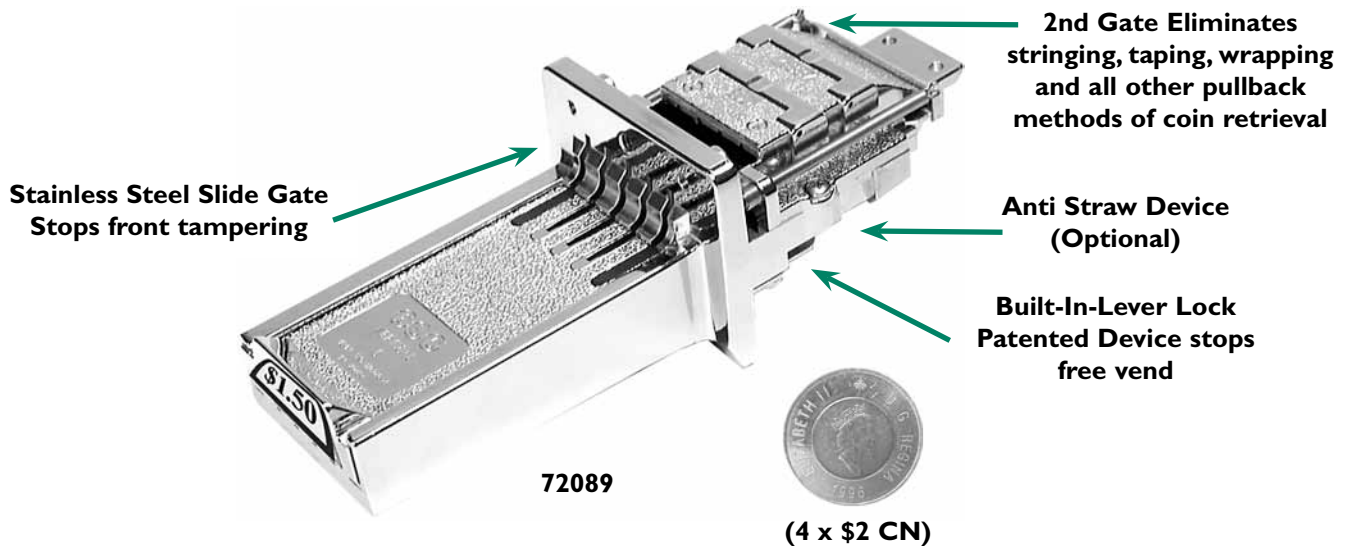
CALL TOLL FREE, USA and Canada 1-800-523-1510 • Fax 1-800-548-1638
270 Commerce Drive, Fort Washington, PA 19034 (215)628-0860 Fax (215)643-4623

Find us on the web @ www.esdcoin.com

©ESD 2017

ESD SLIDE VERTICAL 5[®] SV5 COIN SLIDE (\$2.00 CANADIAN COIN)

All Slides Have Case Hardened Parts To Resist Damage From Slamming



U.S. Patent #'s: 4,350,240, 4,401,202,
4,499,983, 4,515,262, 5,220,988
Canadian Patent# 1,153,266
Additional Patents Pending

FEATURES:

- Fits all Canadian and U.S. Machines
- Variable price settings 00¢ - \$8.00
- Accepts 2 dollar coins
- Exclusive dual return springs for smoother operation
- All steel security gate with solid metal bridge
- One step price changing - UP OR DOWN in seconds without disassembly
- Fits all existing extensions and machines
- Total UP and DOWN multiple price flexibility for price increases, price decreases or price features
- Initial vend pricing is pre-set at factory as specified by customer

When ordering specify your desired combination.

MODEL
72089

Standard pack is 20 to a carton.
Prices are subject to change without notice.

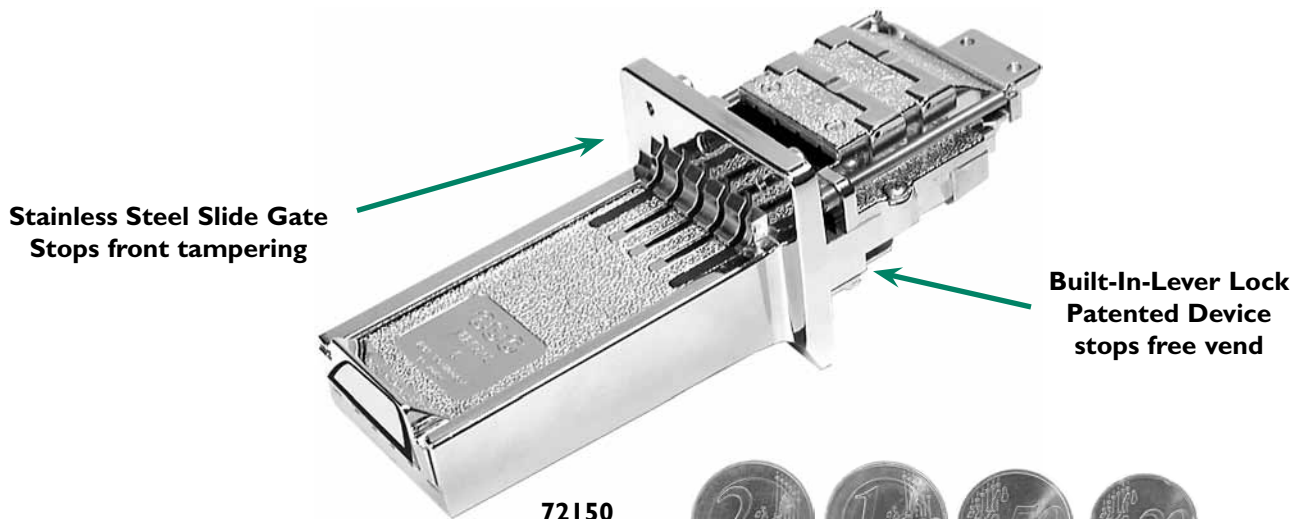


CALL TOLL FREE, USA and Canada 1-800-523-1510 • Fax 1-800-548-1638
270 Commerce Drive, Fort Washington, PA 19034 (215)628-0860 Fax (215)643-4623
Find us on the web @ www.esdcoin.com

ESD SLIDE VERTICAL 5[®]

FOR THE NEW EURO COIN - EU470

All Slides Have Case Hardened Parts To Resist Damage From Slamming



(1x \$2E, 2x \$1E, 1x.50E, 1x.20E)

FEATURES:

- Variable price settings: 00¢ - 20¢ - 50¢ - 70¢ - \$1.00 - \$1.20 - \$1.50 - \$1.70 - \$2.00 - \$2.20 - \$2.50 - \$2.70 - \$3.00 - \$3.20 - \$3.50 - \$3.70 - \$4.00 - \$4.20 - \$4.50 - \$4.70
- Vertical coin acceptance
- All steel security gate with solid metal bridge
- One step price changing - UP or DOWN in seconds without disassembly
- Exclusive dual return springs for smoother operation
- Fits all existing extensions and machines
- Total UP and DOWN multiple price flexibility for price increases, price decreases or price features.
- Factory pre-set pricing to suit needs

MODEL

72150

Standard pack is 20 to a carton.
Prices are subject to change without notice.



CALL TOLL FREE, USA and Canada 1-800-523-1510 • Fax 1-800-548-1638
270 Commerce Drive, Fort Washington, PA 19034 (215)628-0860 Fax (215)643-4623
Find us on the web @ www.esdcoin.com

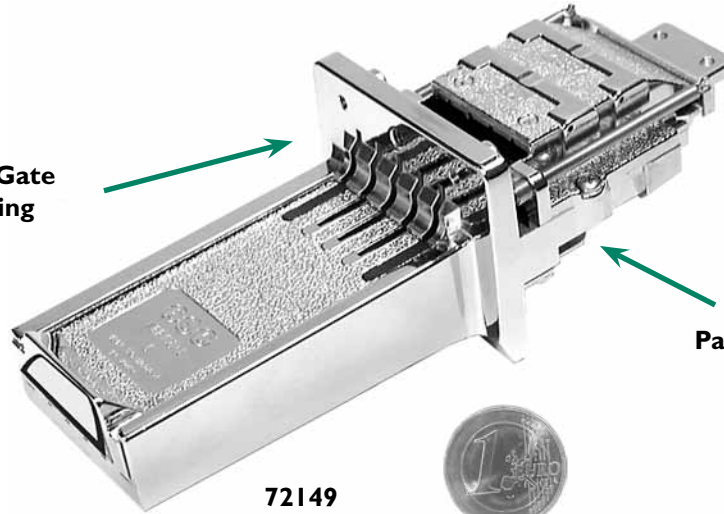
©ESD 2017

ESD SLIDE VERTICAL 5[®]

FOR THE NEW EURO COIN - EU500

All Slides Have Case Hardened Parts To Resist Damage From Slamming

Stainless Steel Slide Gate
Stops front tampering



Built-In-Lever Lock
Patented Device stops free vend

72149



(5 x \$1.00 E)

U.S. Patent #'s: 4,350,240, 4,401,202,
4,499,983, 4,515,262, 5,220,988
Canadian Patent# 1,153,266
Additional Patents Pending

FEATURES:

Variable price settings: \$1.00 - \$2.00 - \$3.00 - \$4.00 - \$5.00

Vertical coin acceptance

All steel security gate with solid metal bridge

One step price changing - UP or DOWN in seconds without disassembly

Exclusive dual return springs for smoother operation

Fits all existing extensions and machines

Total UP and DOWN multiple price flexibility for price increases, price decreases or price features.

Factory pre-set pricing to suit needs

MODEL

72149

Standard pack is 20 to a carton.

Prices are subject to change without notice.



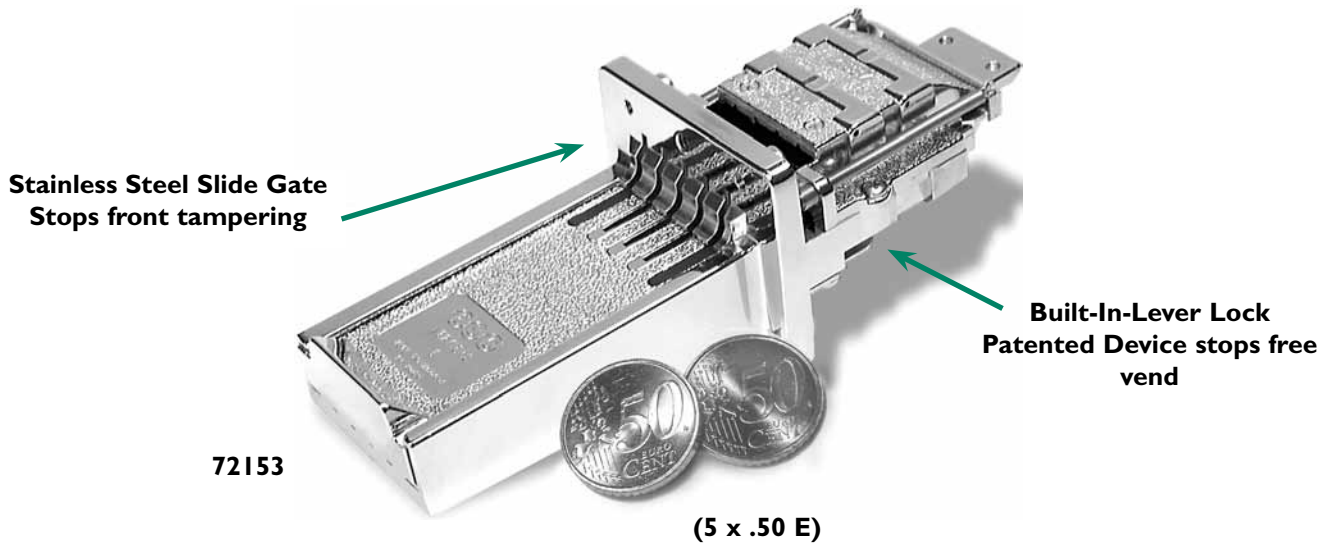
CALL TOLL FREE, USA and Canada 1-800-523-1510 • Fax 1-800-548-1638
270 Commerce Drive, Fort Washington, PA 19034 (215)628-0860 Fax (215)643-4623

Find us on the web @ www.esdcoin.com

©ESD 2017

ESD SLIDE VERTICAL 5[®] FOR THE NEW EURO COIN - EU250

All Slides Have Case Hardened Parts To Resist Damage From Slamming



U.S. Patent #'s: 4,350,240, 4,401,202,
4,499,983, 4,515,262, 5,220,988
Canadian Patent# 1,153,266
Additional Patents Pending

FEATURES:

Variable price settings: \$.50 - \$1.00 - \$1.50 - \$2.00 - \$2.50
Vertical coin acceptance
All steel security gate with solid metal bridge
One step price changing - UP or DOWN in seconds without disassembly
Exclusive dual return springs for smoother operation
Fits all existing extensions and machines
Total UP and DOWN multiple price flexibility for price increases, price decreases or price features. Factory pre-set pricing to suit needs

MODEL

72153

Standard pack is 20 to a carton.

Prices are subject to change without notice.



CALL TOLL FREE, USA and Canada 1-800-523-1510 • Fax 1-800-548-1638
270 Commerce Drive, Fort Washington, PA 19034 (215)628-0860 Fax (215)643-4623

Find us on the web @ www.esdcoin.com

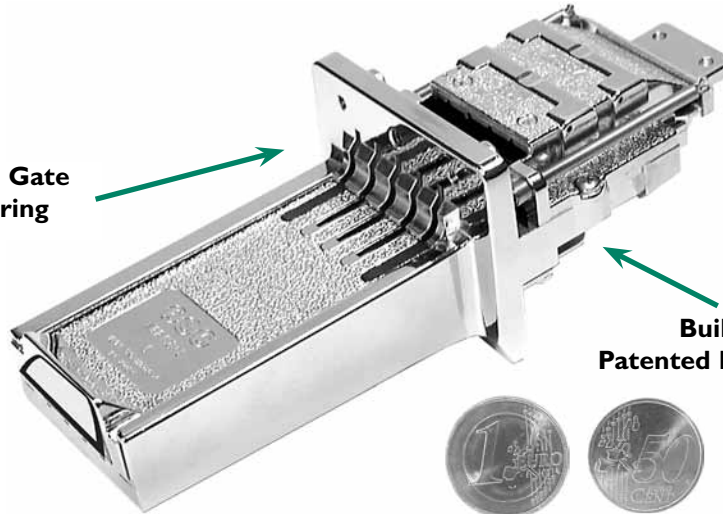
©ESD 2017

ESD SLIDE VERTICAL 5[®] FOR THE NEW EURO COIN - EU215

All Slides Have Case Hardened Parts To Resist Damage From Slamming

Stainless Steel Slide Gate
Stops front tampering

72158



Built-In-Lever Lock
Patented Device stops free vend



(1x \$1E, 2x .50E, 1x.10E, 1x.05E)

U.S. Patent #'s: 4,350,240, 4,401,202,
4,499,983, 4,515,262, 5,220,988
Canadian Patent# 1,153,266
Additional Patents Pending

FEATURES:

- Variable price settings: \$.15 - \$.50 - \$.65 - \$1.00 - \$1.15 - \$1.50 - \$1.65 - \$2.00
- Vertical coin acceptance
- All steel security gate with solid metal bridge
- One step price changing - UP or DOWN in seconds without disassembly
- Exclusive dual return springs for smoother operation
- Fits all existing extensions and machines
- Total UP and DOWN multiple price flexibility for price increases, price decreases or price features. Factory pre-set pricing to suit needs

MODEL

72158

Standard pack is 20 to a carton.
Prices are subject to change without notice.



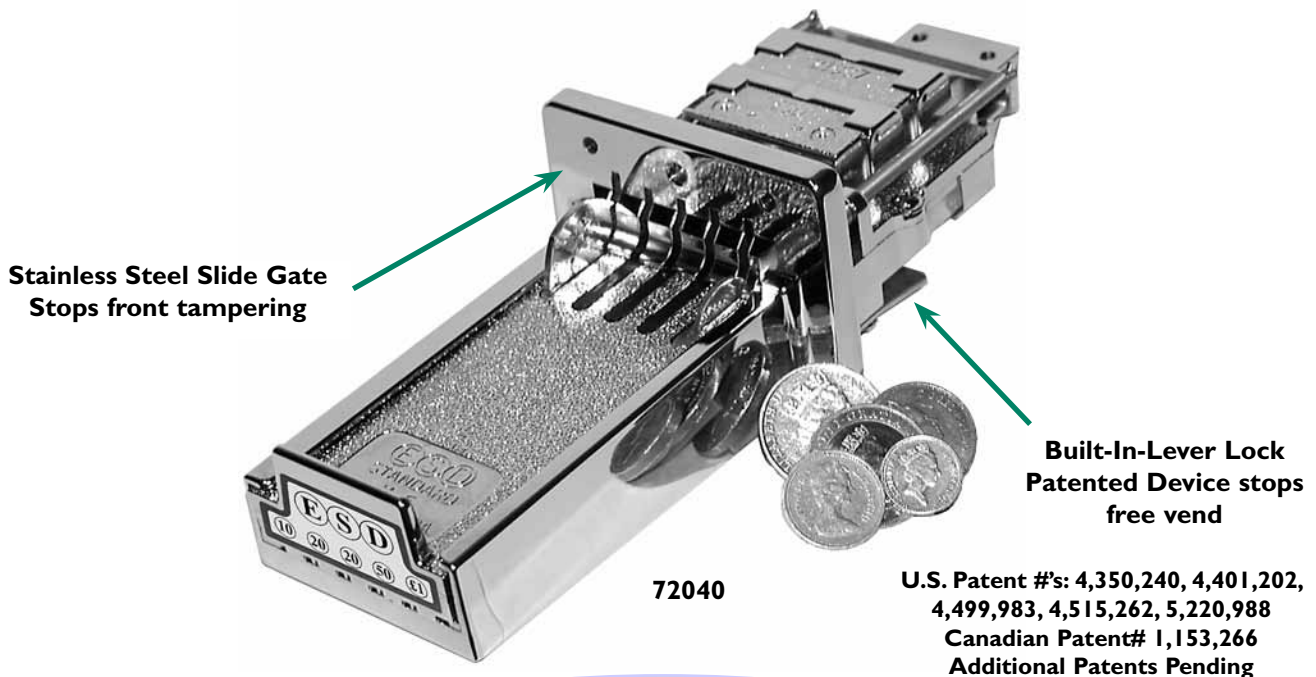
CALL TOLL FREE, USA and Canada 1-800-523-1510 • Fax 1-800-548-1638
270 Commerce Drive, Fort Washington, PA 19034 (215)628-0860 Fax (215)643-4623

Find us on the web @ www.esdcoin.com

©ESD 2017

ESD BRITISH SLIDE VERTICAL 5[®] 2£ POUND COIN SLIDE

All Slides Have Case Hardened Parts To Resist Damage From Slamming



FEATURES:

- Variable price settings: 1x.10p, 2x.20p, 1x.50p, 1x1#
- Vertical coin acceptance
- All steel security gate with solid metal bridge
- One step price changing - UP or DOWN in seconds without disassembly
- Exclusive dual return springs for smoother operation
- Fits all existing extensions and machines
- Total UP and DOWN multiple price flexibility for price increases, price decreases or price features. • Factory pre-set pricing to suit needs

MODEL

72040

Standard pack is 20 to a carton.
Prices are subject to change without notice.



CALL TOLL FREE, USA and Canada 1-800-523-1510 • Fax 1-800-548-1638
270 Commerce Drive, Fort Washington, PA 19034 (215)628-0860 Fax (215)643-4623
Find us on the web @ www.esdcoin.com

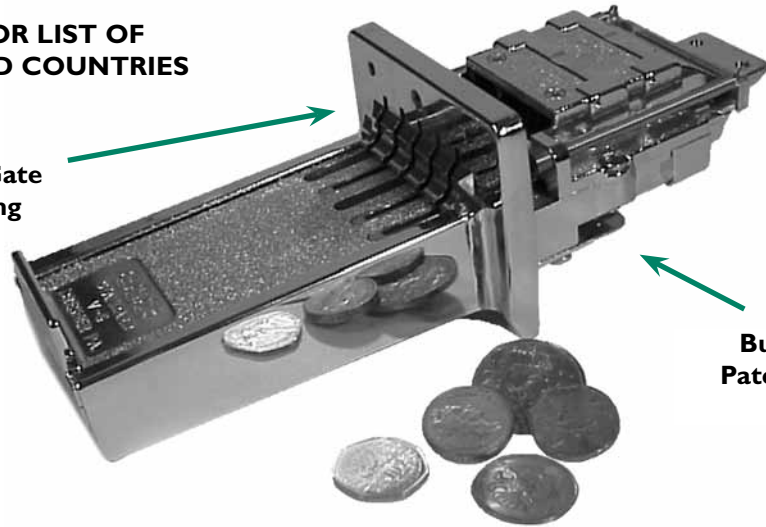
©ESD 2017

ESD INTERNATIONAL SLIDE VERTICAL 5®

All Slides Have Case Hardened Parts To Resist Damage From Slamming

SEE NEXT PAGE FOR LIST OF
CURRENTLY SUPPLIED COUNTRIES

Stainless Steel Slide Gate
Stops front tampering



Built-In-Lever Lock
Patented Device stops
free vend

U.S. Patent #'s: 4,350,240, 4,401,202,
4,499,983, 4,515,262, 5,220,988
Canadian Patent# 1,153,266
Additional Patents Pending

FEATURES:

Variable price settings:
Vertical coin acceptance
All steel security gate with solid metal bridge
One step price changing - UP or DOWN in seconds without disassembly
Exclusive dual return springs for smoother operation
Fits all existing extensions and machines
Total UP and DOWN multiple price flexibility for price increases, price decreases or price features. Factory pre-set pricing to suit needs

MODEL

INTERNATIONAL
V5

Standard pack is 20 to a carton.
Prices are subject to change without notice.



CALL TOLL FREE, USA and Canada 1-800-523-1510 • Fax 1-800-548-1638
270 Commerce Drive, Fort Washington, PA 19034 (215)628-0860 Fax (215)643-4623

Find us on the web @ www.esdcoin.com

©ESD 2017

ESD INTERNATIONAL SLIDE COUNTRY LIST

- 
- ARGENTINA**
ARABIA
ARUBA
AUSTRALIA
BAHAMAS
BAHRAIN
- BARBADOS**
BELGIUM
BELIZE
BERMUDA
BRAZIL
BRITISH CARIBBEAN
- CANADA**
CENTRAL AFRICA
CHILE
CHINA
COLOMBIA
CUBA
- CYPRUS**
CZECH REPUBLIC
DENMARK
DOMINICAN REPUBLIC
EUROPEAN UNION
FINLAND
FRANCE
- GERMANY**
GREECE
GUATEMALA
HOLLAND
HONG KONG
HUNGARY
- INDIA**
INDONESIA
IRELAND
ICELAND
ISRAEL
ITALY
- JAMAICA**
JAPAN
KOREA
LIBERIA
MALAYSIA
MALTA
- MEXICO**
MOROCCO
NETHERLANDS
AMSTERDAM
NEW ZEALAND
NORWAY
- PANAMA**
PERU
PHILIPPINES
POLAND
PORTUGAL
ROMANIA
- SINGAPORE**
SOUTH AFRICA
SPAIN
ST. MARTIN
SWITZERLAND
TAIWAN
- THAILAND**
TRINIDAD/TOBAGO
U.A.E.
UNITED KINGDOM
URUGUAY
VENEZUELA
YUGOSLAVIA

ESD has manufactured coin slides for the coin currency of all of the above listed countries. Since coinage is subject to change in size and value, please submit samples of the current coin or coins that you wish to accept, for price quote.



CALL TOLL FREE, USA and Canada 1-800-523-1510 • Fax 1-800-548-1638
270 Commerce Drive, Fort Washington, PA 19034 (215)628-0860 Fax (215)643-4623

Find us on the web @ www.esdcoin.com

©ESD 2017