

TABLE OF CONTENTS

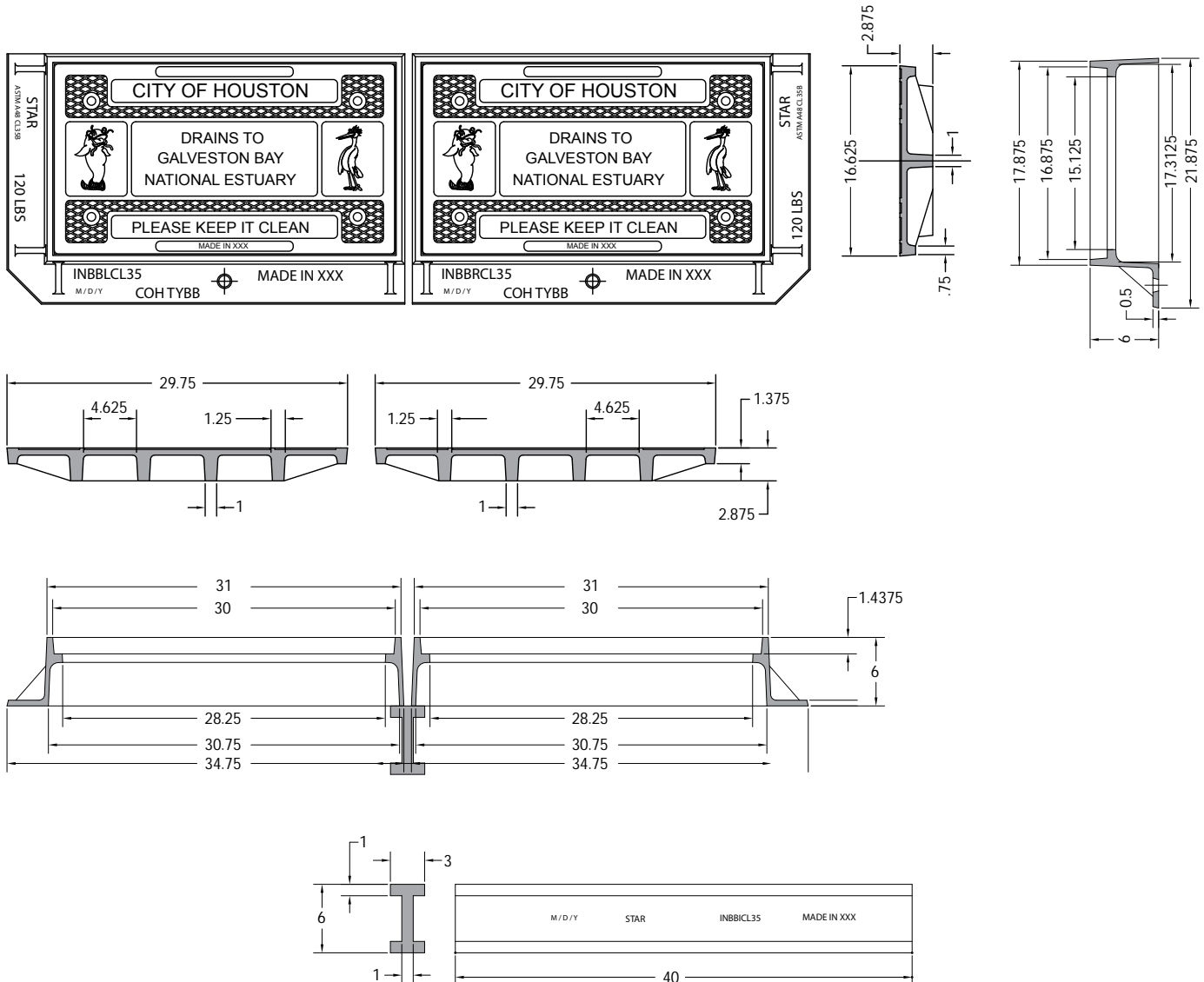
CONTENTS PAGE 1 OF 1
FG-0001 / FG-0028

NAME	CAT #
CITY OF HOUSTON "BB" INLET (SOLID COVER) CLASS 35B	FG-0001
CITY OF HOUSTON "BB" INLET (GRATE COVER) CLASS 35B	FG-0002
CITY OF HOUSTON TYPE "A" 30"X30" FRAME & GRATE CLASS 35B	FG-0003
12"X12" FRAME & GRATE	FG-0004
18"X18" FRAME & GRATE	FG-0005
24"X24" FRAME & GRATE	FG-0006
TYPE "A" 30"X30" FRAME & GRATE	FG-0007
23½" ROUND FRAME & GRATE	FG-0008
24"X24"X4" FRAME & GRATE (REVERSIBLE)	FG-0009
24"X36"X4" FRAME & GRATE (REVERSIBLE)	FG-0010
NC DOT TYPE "E" (GRATE, FRAME & HOOD) FOR 30" CURB & GUTTER (NC/SC)	FG-0011
2412 CATCH BASIN INLET	FG-0012
12" X 12" GRATE	FG-0013
14" X 14" GRATE	FG-0014
20" X 20" GRATE	FG-0015
27" X 27" GRATE	FG-0016
32" X 32" GRATE	FG-0017
38" X 38" GRATE	FG-0018
26" X 26" BIKE PROOF FRAME & GRATE	FG-0019
32" X 32" BIKE PROOF FRAME & GRATE	FG-0020
38" X 38" BIKE PROOF FRAME & GRATE	FG-0021
21" X 21" GRATE	FG-0022
30" X 30" GRATE (EQ-4880-3)	FG-0023
#2409 CURB INLET - COVER, FRAME & GRATE	FG-0024
#2410 CATCH BASIN - COVER, FRAME & INLET	FG-0025
36" X 36" PLAIN GRATE	FG-0026
24" X 4" FLANGED FRAME & GRATE	FG-0027
HD SINUSOIDAL GRATE	FG-0028

CITY OF HOUSTON "BB" INLET (SOLID COVER) CLASS 35B

FG-001

ITEM CODE	DETAILS
INBBHC-CL35	COMPLETE
INBBCL35	SOLID COVER - 2 COVERS
INBBRCL35	RIGHT FRAME
INBBLCL35	LEFT FRAME
INBBICL35	INLET

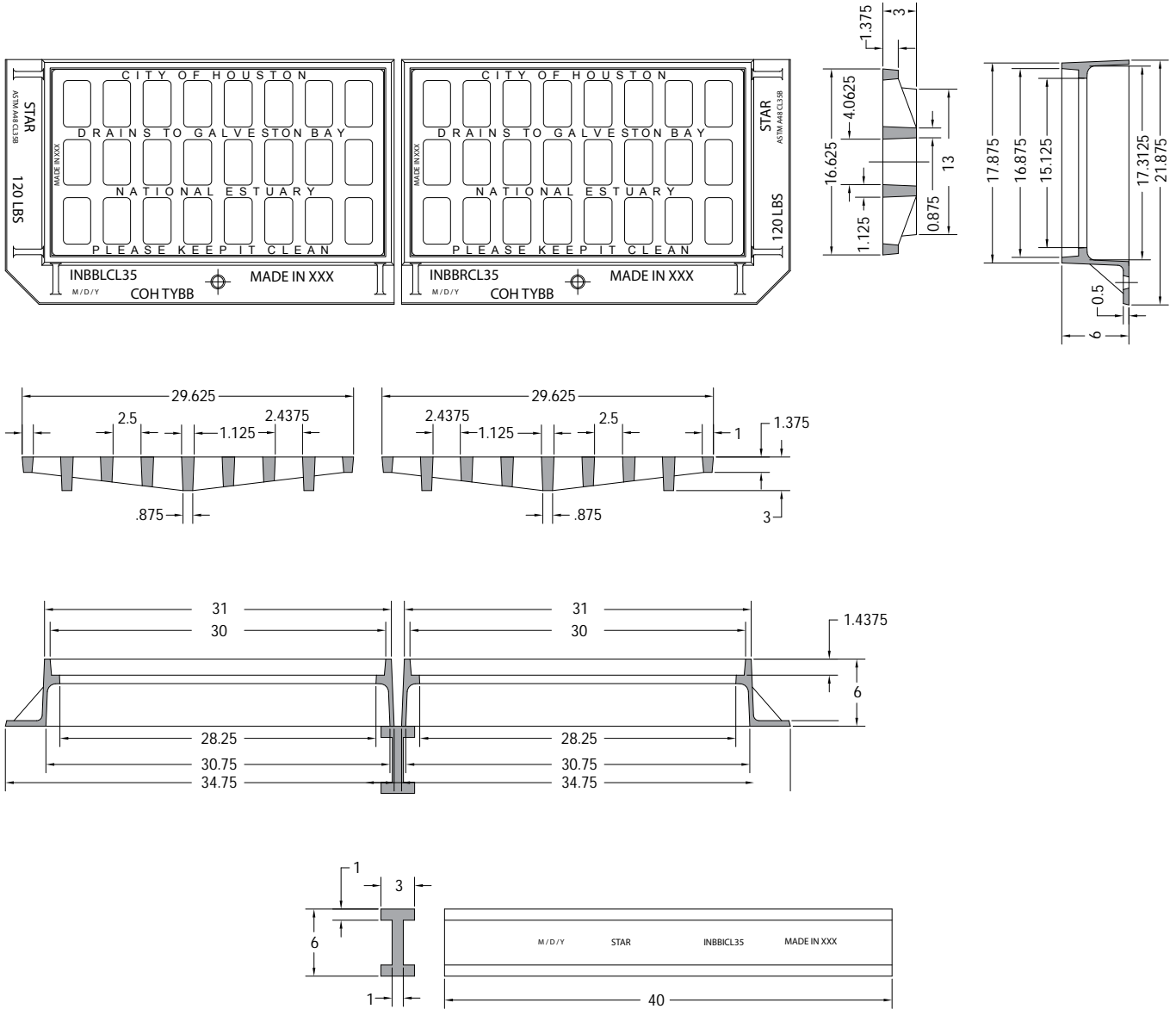


- Notes:**
- Material - Cast Iron
 - Per ASTM A48 Class 35B
 - Dimensions in Inches

CITY OF HOUSTON "BB" INLET (GRATE COVER) CLASS 35B

FG-002

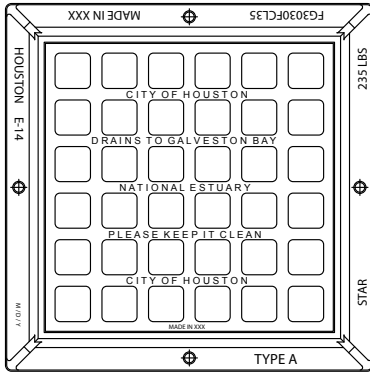
ITEM CODE	DETAILS
INBBGC-CL35	COMPLETE
INBBGCL35	GRATE - 2 GRATES
INBBRCL35	RIGHT FRAME
INBBLCL35	LEFT FRAME
INBBILCL35	INLET



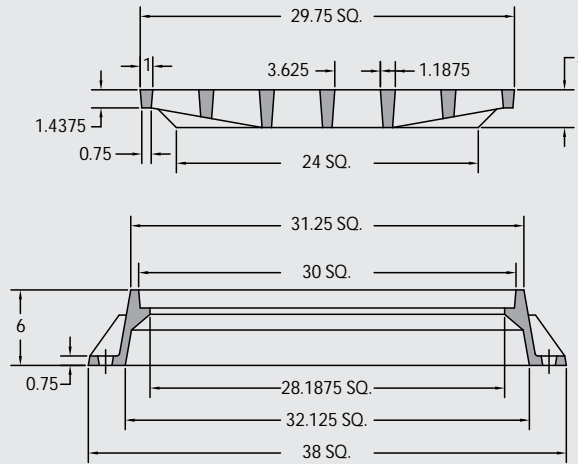
- Notes:**
- Material - Cast Iron
 - Per ASTM A48 Class 35B
 - Dimensions in Inches

CITY OF HOUSTON TYPE "A" 30"x30" FRAME & GRATE CLASS 35B

FG-0003



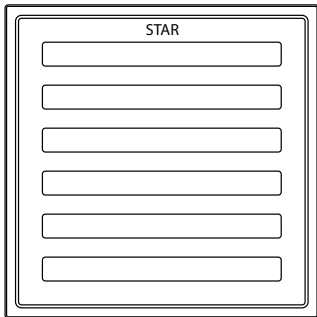
- Notes:**
- Material - Cast Iron
Per ASTM A48 Class 35B
 - Dimensions in Inches



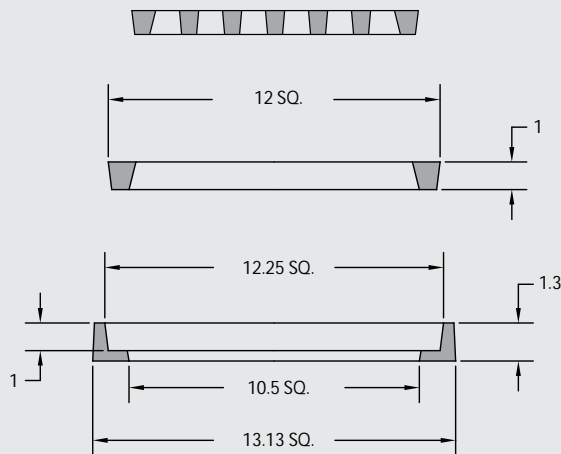
ITEM CODE	DETAILS
FG3030A-CL35	COMPLETE

12"x12" FRAME & GRATE

FG-0004



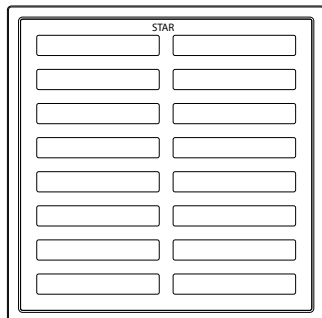
- Notes:**
- Material - Cast Iron
Per ASTM A48 Class 30B
 - Dimensions in Inches



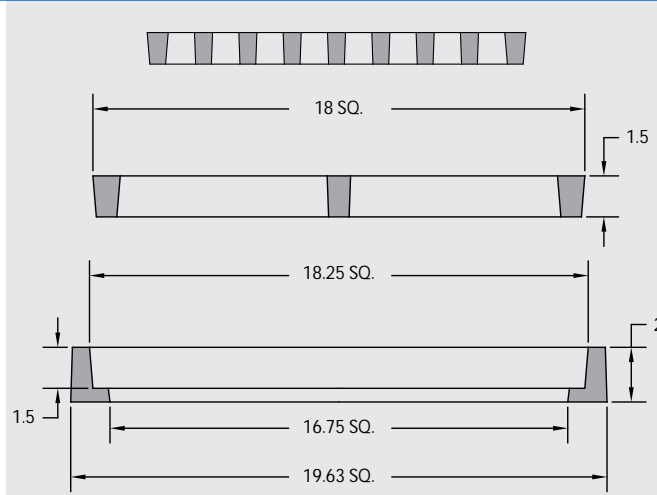
ITEM CODE	DETAILS
FG1212	COMPLETE

18"x18" FRAME & GRATE

FG-0005



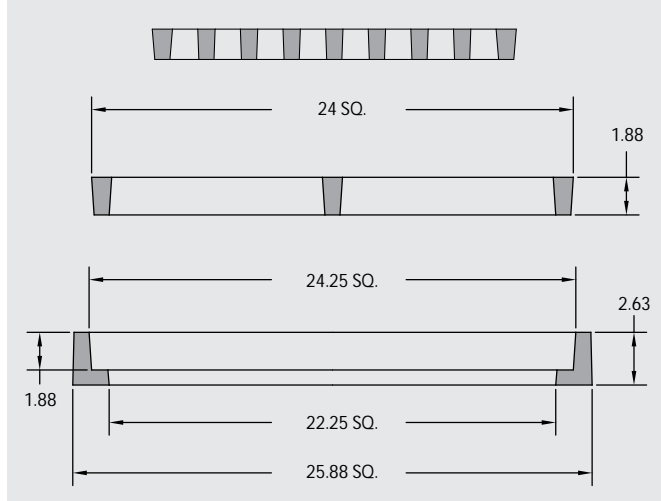
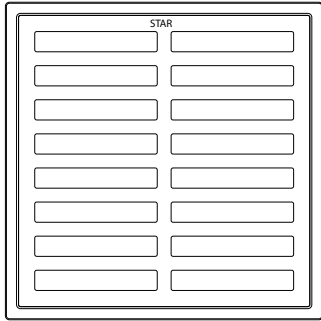
- Notes:**
- Material - Cast Iron
Per ASTM A48 Class 30B
 - Dimensions in Inches



ITEM CODE	DETAILS
FG1818	COMPLETE

24"x24" FRAME & GRATE

FG-006



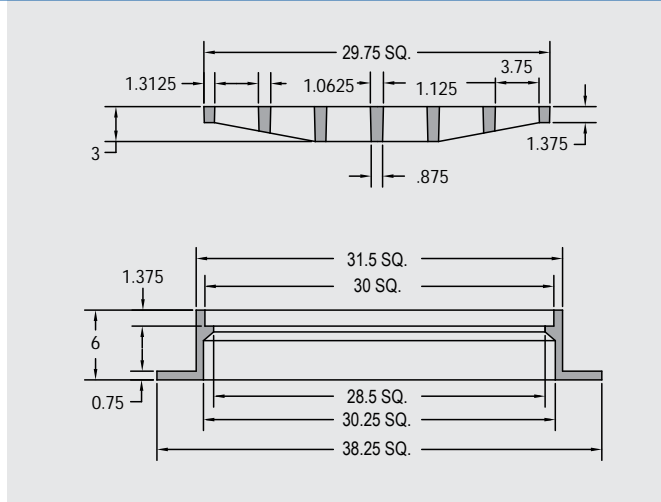
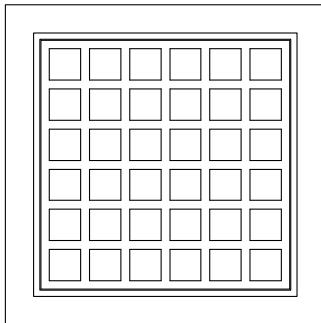
ITEM CODE	DETAILS
FG2424	COMPLETE

Notes:

- Material - Cast Iron
Per ASTM A48 Class 30B
- Dimensions in Inches

TYPE "A" 30"x30" FRAME & GRATE

FG-007



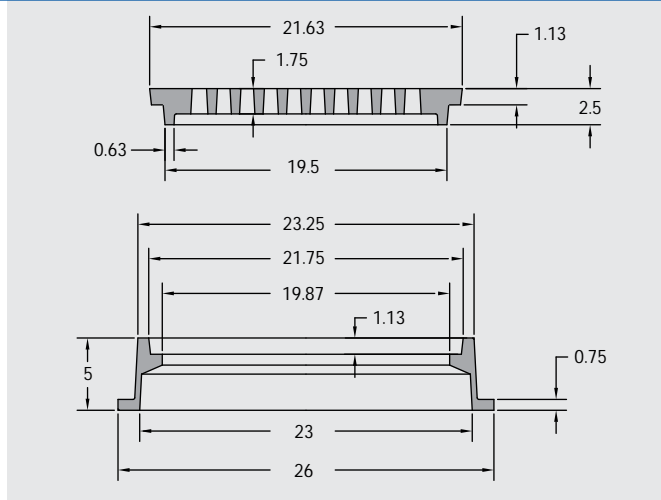
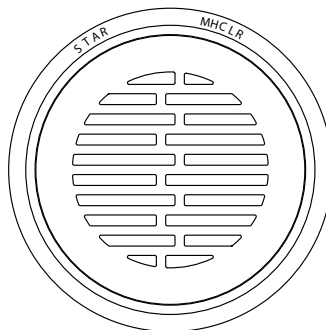
ITEM CODE	DETAILS
FG3030A	COMPLETE

Notes:

- Material - Cast Iron
Per ASTM A48 Class 30B
- Dimensions in Inches

23 1/2" ROUND FRAME & GRATE

FG-008



ITEM CODE	DETAILS
MHCL	COMPLETE

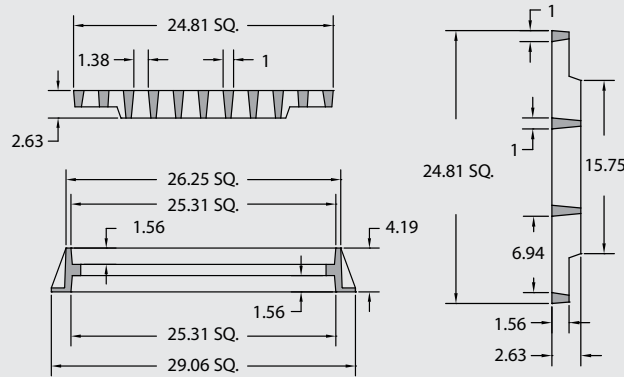
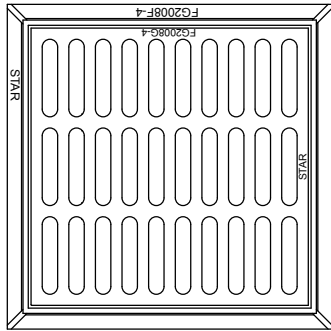
Notes:

- Material - Cast Iron
Per ASTM A48 Class 30B
- Dimensions in Inches



24"x24"x4" FRAME & GRATE (REVERSIBLE)

FG-009



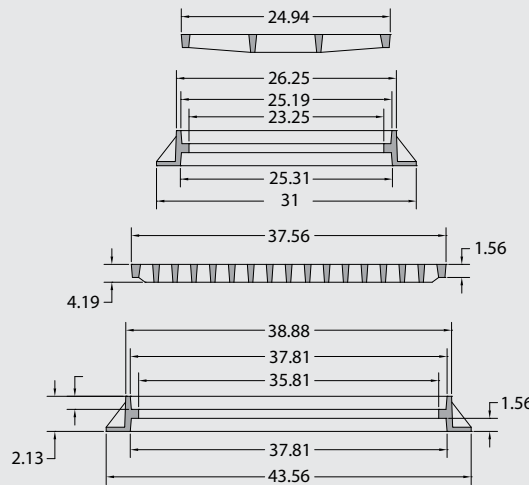
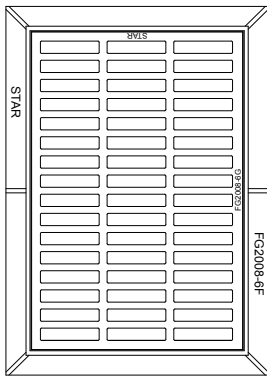
ITEM CODE	DETAILS
FG2008-4	COMPLETE

Notes:

- Material - Cast Iron
Per ASTM A48 Class 30B
- Dimensions in Inches

24"x36"x4" FRAME & GRATE (REVERSIBLE)

FG-010



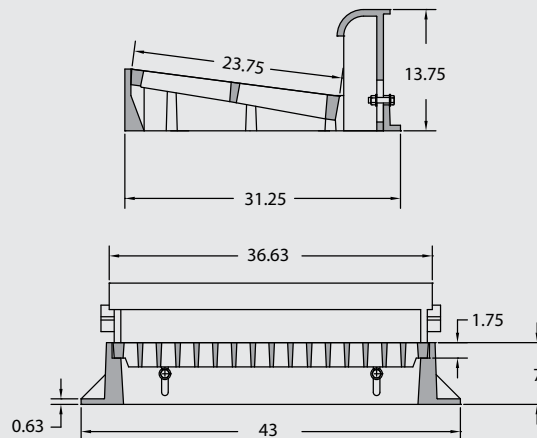
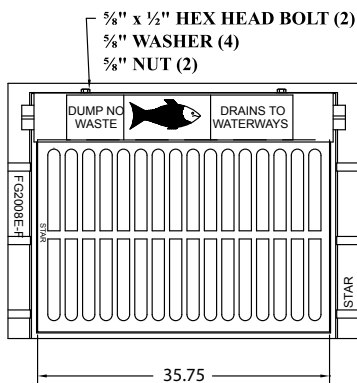
ITEM CODE	DETAILS
FG2008-6	COMPLETE

Notes:

- Material - Cast Iron
Per ASTM A48 Class 30B
- Dimensions in Inches

NC DOT TYPE "E" (GRATE, FRAME & HOOD) FOR 30" CURB & GUTTER (NC/SC)

FG-011



ITEM CODE	DETAILS
FG2008E	COMPLETE

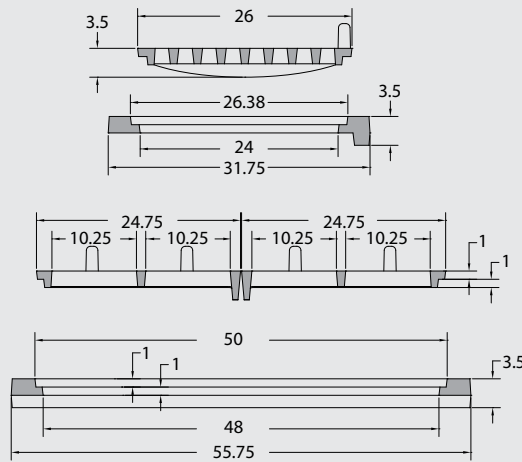
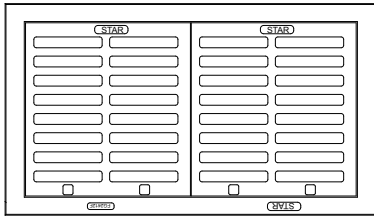
Notes:

- Material - Cast Iron
Per ASTM A48 Class 30B
- Dimensions in Inches



2412 CATCH BASIN INLET

FG-0012

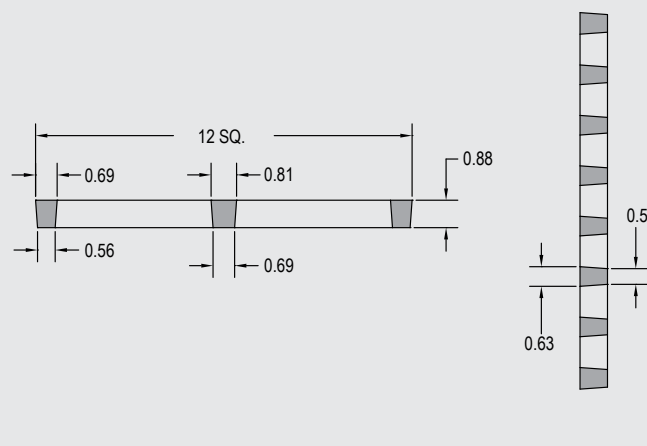
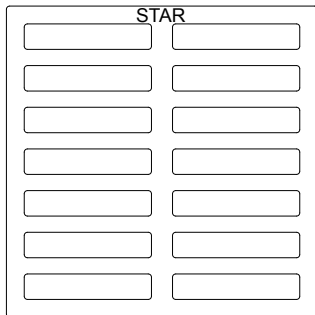


ITEM CODE	DETAILS
FG2412	COMPLETE

- Notes:**
- Material - Cast Iron
Per ASTM A48 Class 30B
 - Dimensions in Inches

12" x 12" GRATE

FG-0013

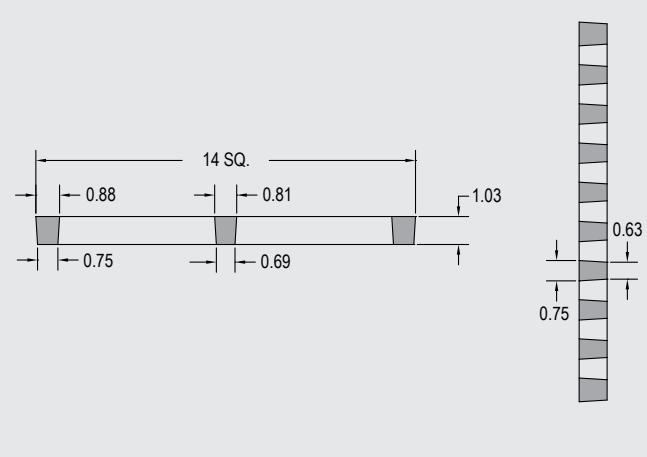
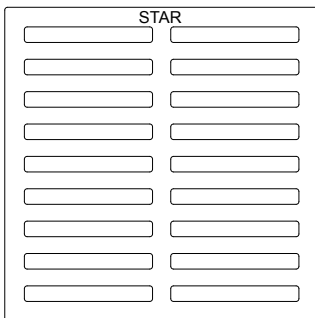


ITEM CODE	DETAILS
FG1212P	GRATE

- Notes:**
- Material - Cast Iron
Per ASTM A48 Class 30B
 - Dimensions in Inches

14" x 14" GRATE

FG-0014



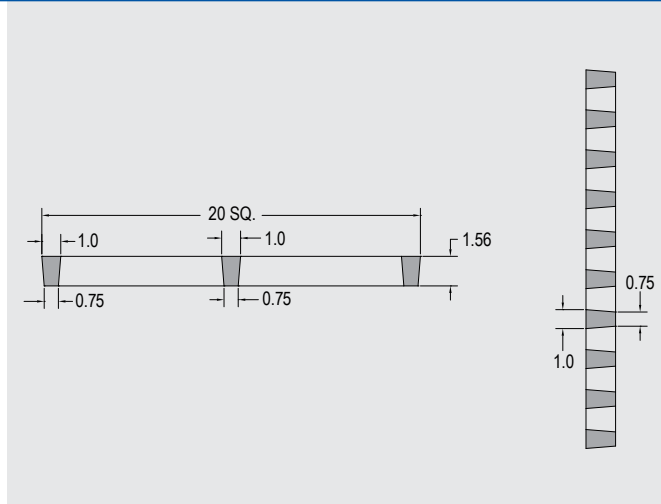
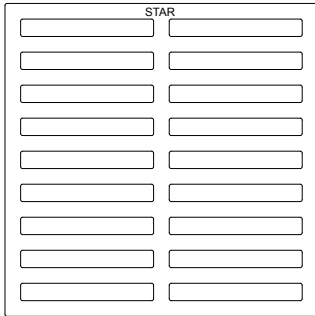
ITEM CODE	DETAILS
FG1414P	GRATE

- Notes:**
- Material - Cast Iron
Per ASTM A48 Class 30B
 - Dimensions in Inches



20" x 20" GRATE

FG-0015



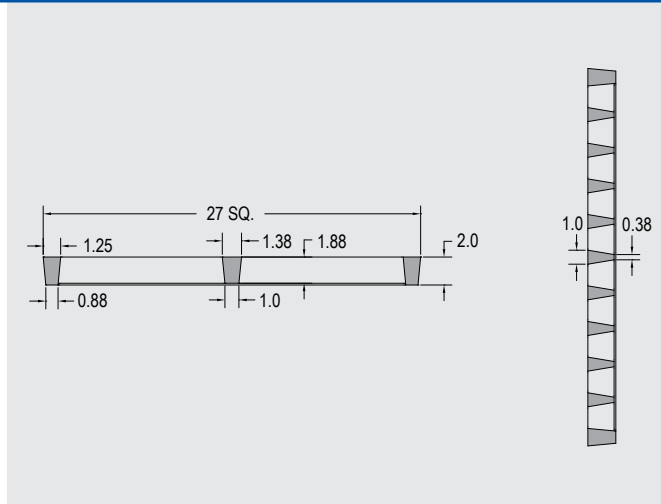
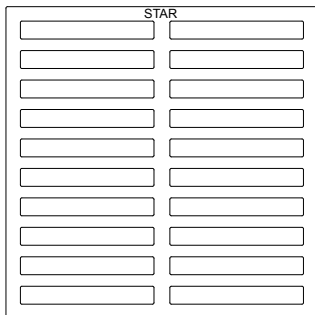
ITEM CODE	DETAILS
FG2020G	GRATE

Notes:

- Material - Cast Iron
Per ASTM A48 Class 30B
- Dimensions in Inches

27" x 27" GRATE

FG-0016



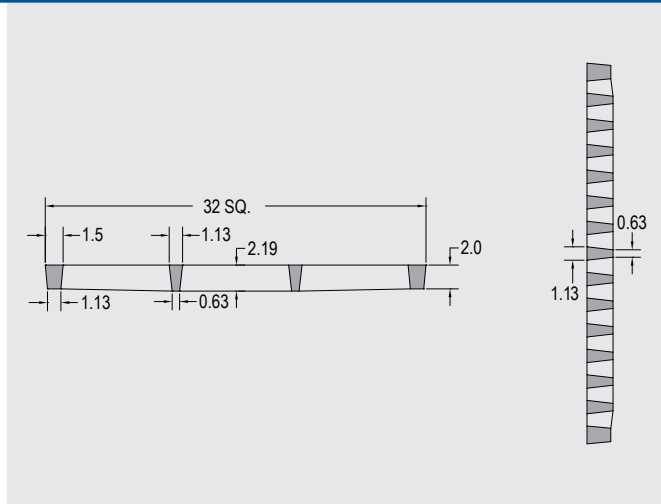
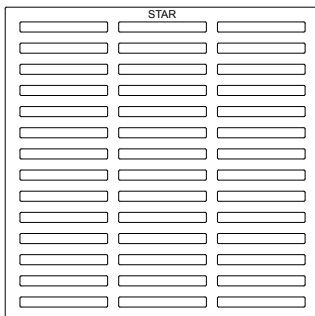
ITEM CODE	DETAILS
FG2727G	GRATE

Notes:

- Material - Cast Iron
Per ASTM A48 Class 30B
- Dimensions in Inches

32" x 32" GRATE

FG-0017



ITEM CODE	DETAILS
FG3232G	GRATE

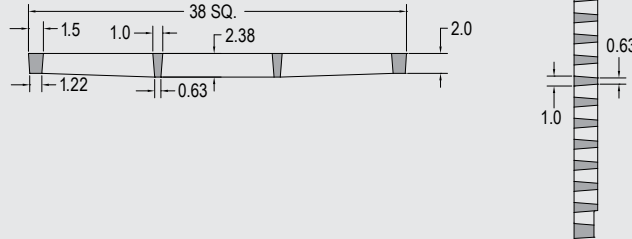
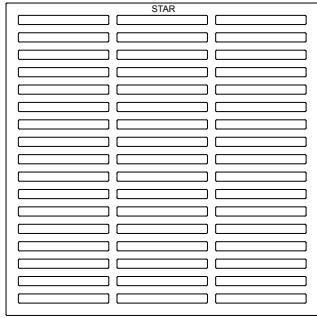
Notes:

- Material - Cast Iron
Per ASTM A48 Class 30B
- Dimensions in Inches



38" x 38" GRATE

FG-0018

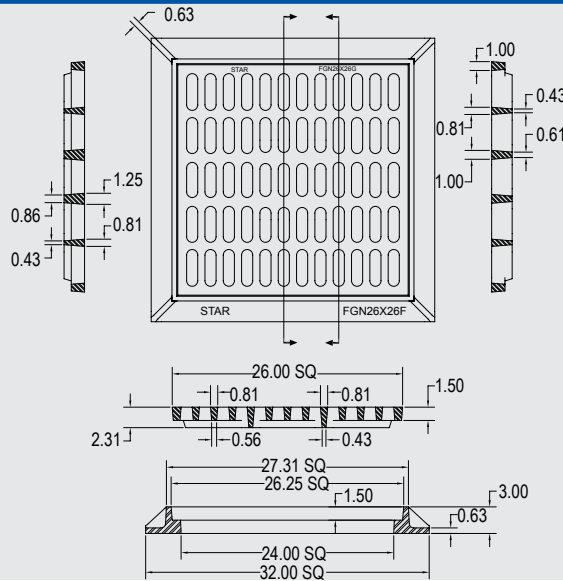
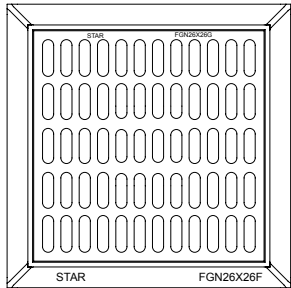


ITEM CODE	DETAILS
FG3838G	GRATE

- Notes:**
- Material - Cast Iron
Per ASTM A48 Class 30B
 - Dimensions in Inches

26" x 26" BIKE PROOF FRAME & GRATE

FG-0019

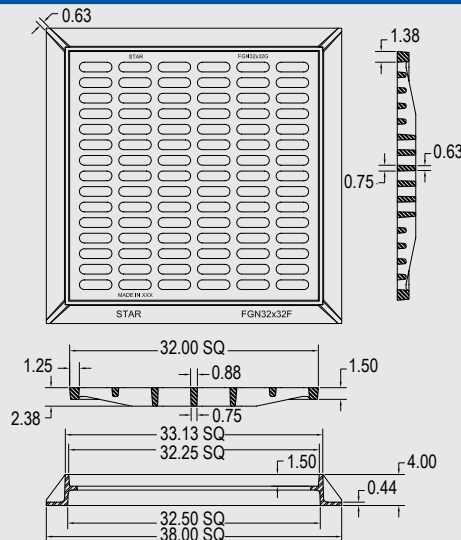
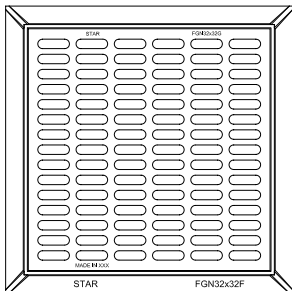


ITEM CODE	DETAILS
FGN26X26	COMPLETE

- Notes:**
- Material - Cast Iron
Per ASTM A48 Class 30B
 - Dimensions in Inches

32" x 32" BIKE PROOF FRAME & GRATE

FG-0020

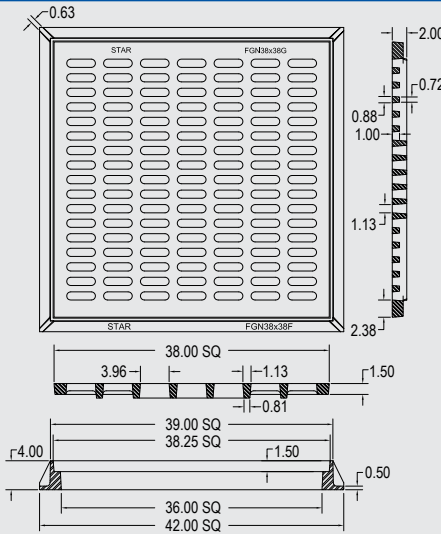
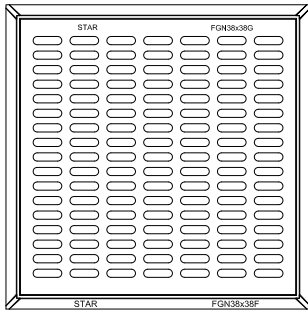


ITEM CODE	DETAILS
FGN32X32	COMPLETE

- Notes:**
- Material - Cast Iron
Per ASTM A48 Class 30B
 - Dimensions in Inches

38" x 38" BIKE PROOF FRAME & GRATE

FG-0021



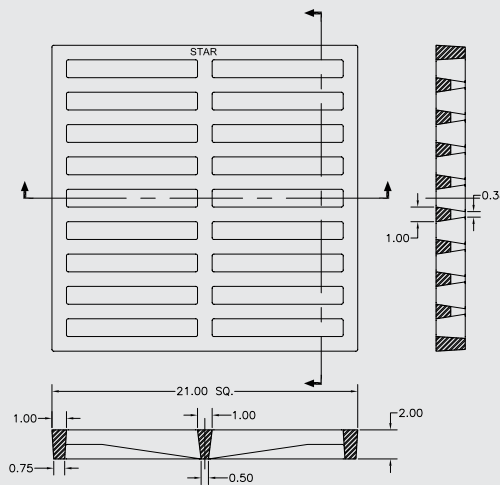
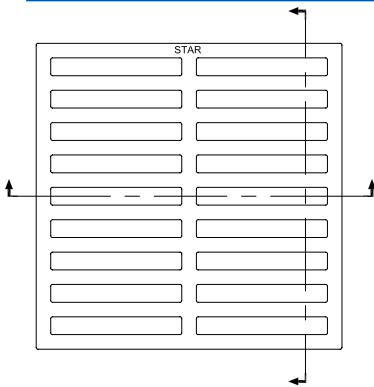
ITEM CODE	DETAILS
FGN38X38	COMPLETE

Notes:

- Material - Cast Iron
- Per ASTM A48 Class 30B
- Dimensions in Inches

21" x 21" GRATE

FG-0022



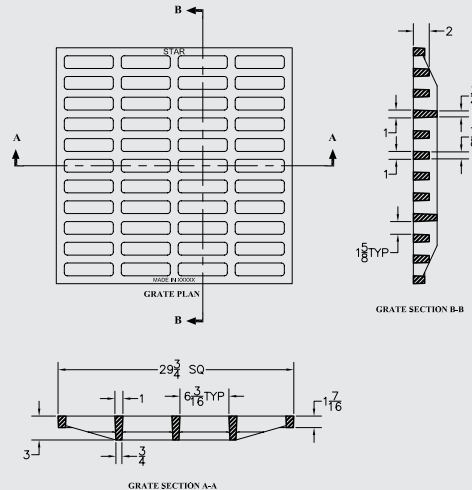
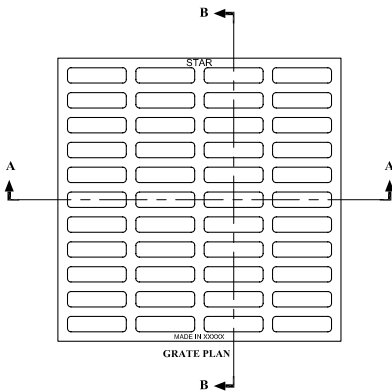
ITEM CODE	DETAILS
FG2121G	COMPLETE

Notes:

- Material - Cast Iron
- Per ASTM A48 Class 30B
- Dimensions in Inches

30" x 30" GRATE (EQ-4880-3)

FG-0023



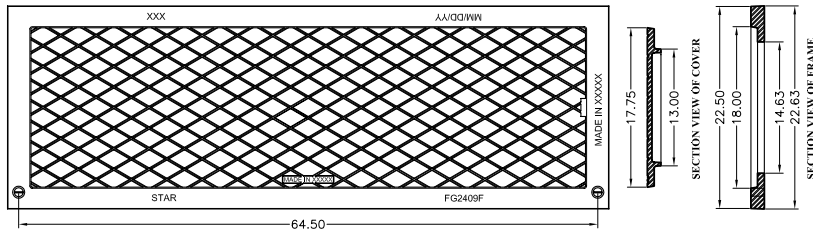
ITEM CODE	DETAILS
FG3030G-3	COMPLETE

Notes:

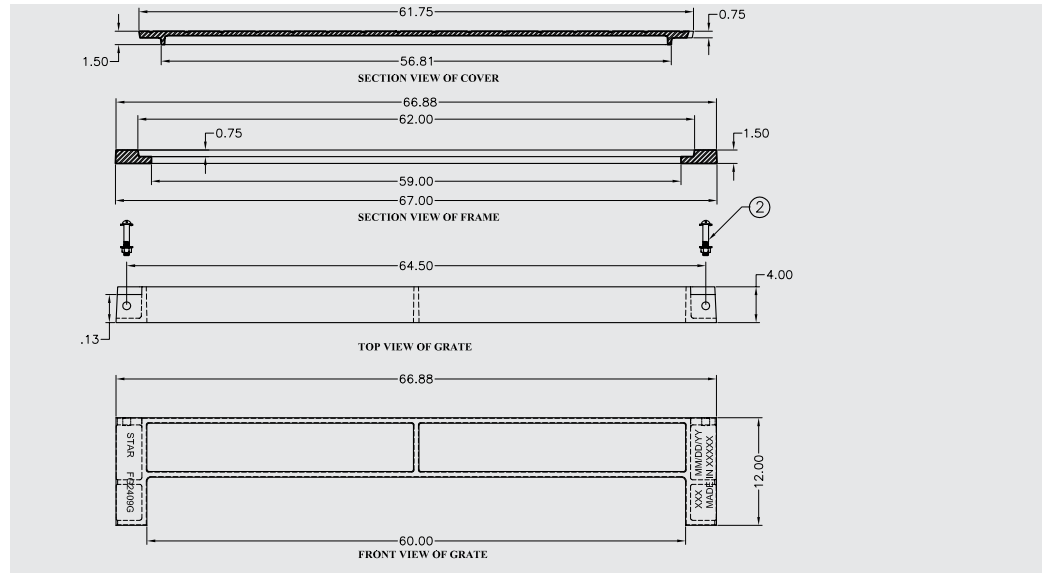
- Material - Cast Iron Per ASTM A48 Class 35B
- Dimensions in Inches

#2409 CURB INLET - COVER, FRAME & GRATE

FG-0024



ITEM CODE	DETAILS
FG2409	COMPLETE

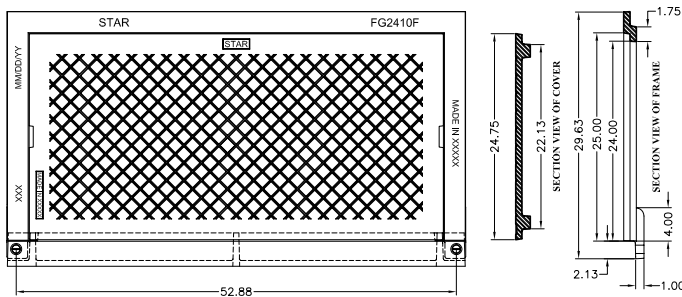


Notes:

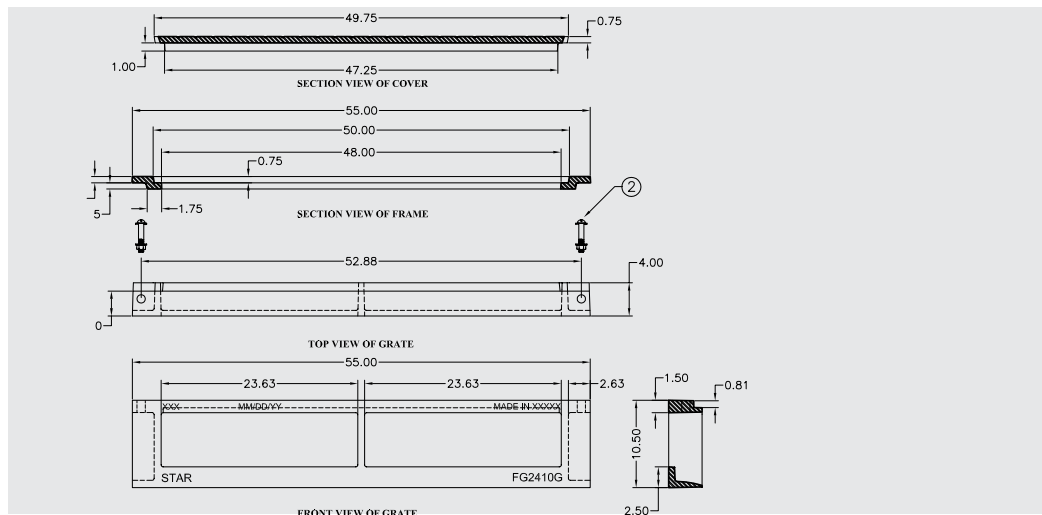
- Material - Cast Iron Per ASTM A48 Class 30B
- 5/8"x3 1/2" SS slotted round head bolt (qty-2)
- 5/8" SS hex nut (qty-2)
- 5/8" SS washer (qty-4)
- Casting to be gloss black asphaltic coated
- Dimensions in inches

#2410 CATCH BASIN - COVER, FRAME & INLET

FG-0025



ITEM CODE	DETAILS
FG2410	COMPLETE

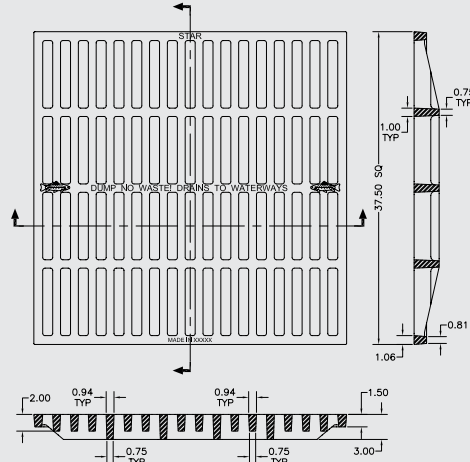
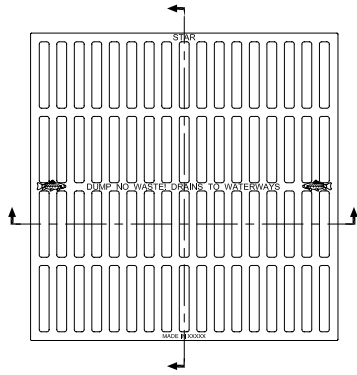


Notes:

- Material - Cast Iron Per ASTM A48 Class 30B
- 5/8"x3 1/2" SS slotted round head bolt (qty-2)
- 5/8" SS hex nut (qty-2)
- 5/8" SS washer (qty-4)
- Casting to be gloss black asphaltic coated
- Dimensions in inches

36" x 36" PLAIN GRATE

FG-0026

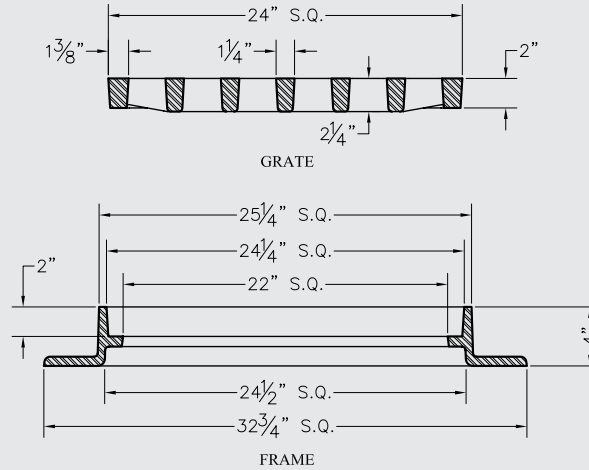
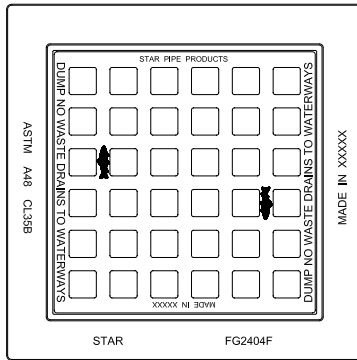


- Notes:**
- Material - Cast Iron Per ASTM A48 Class 35B
 - Dimensions in Inches

ITEM CODE	DETAILS
FG3636G	COMPLETE

24" X 4" FLANGED FRAME & GRATE

FG-0027

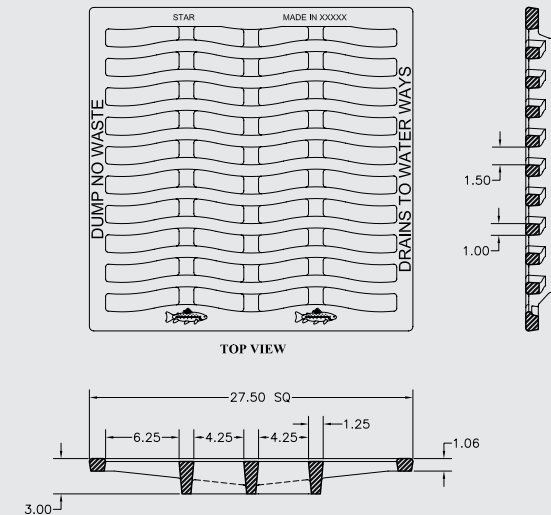
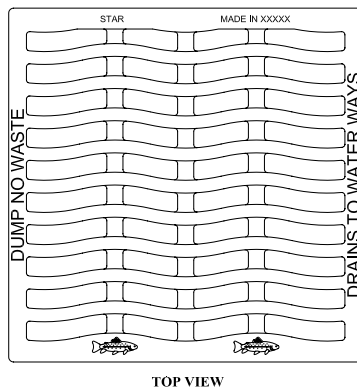


- Notes:**
- Material - Cast Iron Per ASTM A48 Class 35B
 - Casting to be Black Asphaltic Coated
 - Dimensions in Inches

ITEM CODE	DETAILS
FG2404	COMPLETE

HD SINUSOIDAL GRATE

FG-0028



- Notes:**
- Material - Cast Iron Per ASTM A48 Class 35B
 - Dimensions in Inches

ITEM CODE	DETAILS
FG2008-M3	COMPLETE