



SUPERIOR RELIABILITY

3,000 – 6,500 LB. CAPACITY
INTERNAL COMBUSTION
CUSHION TIRE LIFT TRUCK



TRIED-AND-TRUE PERFORMANCE



A Truck You Can Depend On

The Cat® 3,000-6,500 lb. LP gas cushion tire series offers what businesses demand: fuel economy, reliable performance and greater operator control. Built for dependability, these forklifts can operate in a wide range of indoor applications to move goods, stage pallets or transfer loads.

KEY INDUSTRIES:

- General Warehousing
- Building Materials
- Fabricated Metal
- Primary Metal
- Lumber And Wood
- Stone, Clay And Glass
- Industrial Equipment
- Chemicals And Allied Products



EXCELLENT HORSEPOWER AND TORQUE

The GK21 (53 hp / 2C3000-2CC4000) and GK25 (61 hp / 2C4000-2C6500) engines – both proven performers – are well known for reliability when working in demanding applications. Both engines deliver high performance with excellent fuel efficiency and meet all CARB and EPA emissions regulations.



FRONT TO BACK DURABILITY

A Truck With Solid Dependability

Constructed with a heavy-duty mast that features narrow channels and six load rollers, this forklift takes durability to the next level.

SURROUNDED BY STRENGTH

Load Rollers

- Added strength via six load rollers used to support the forward and backward loading of the carriage
- Greater contact, increased stability and extended life of the mast through the use of specially-shaped mast channels and large mast rollers



Inching Pedal

- Simultaneously applies and disengages the brake
- Provides slow, controlled acceleration and precise maneuvering in tight locations



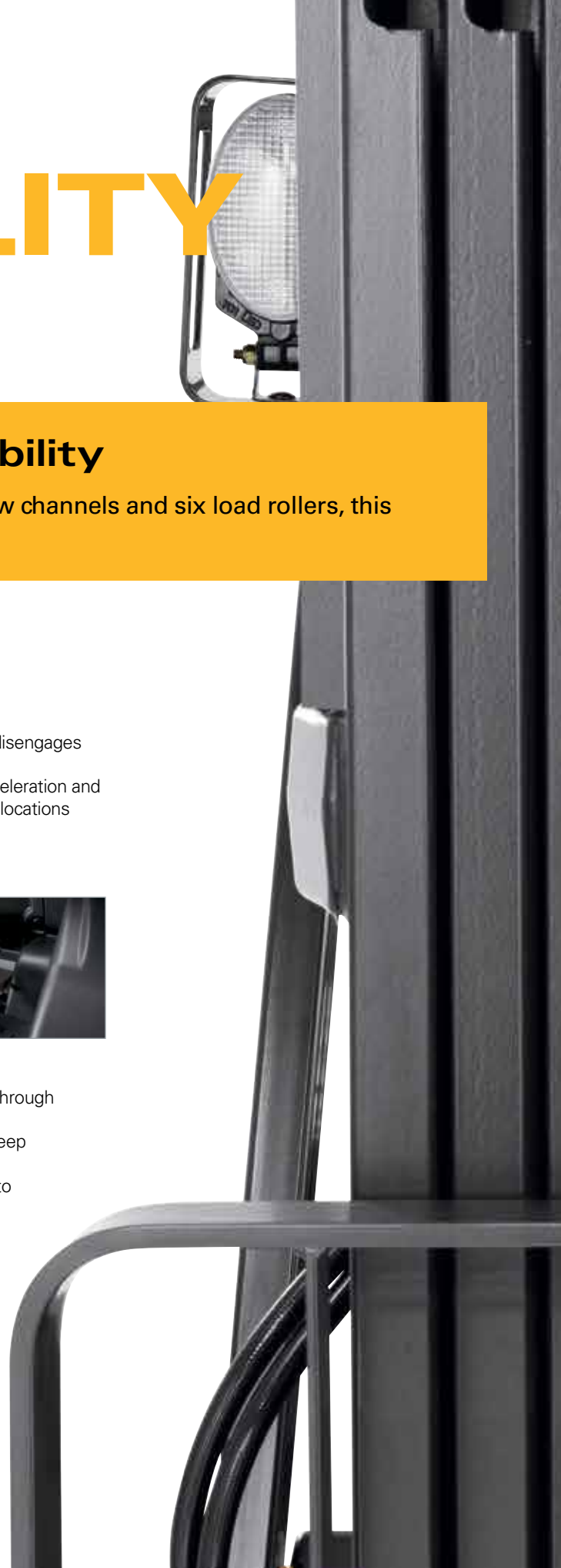
Drive Axle

- One-piece, single-cast drive axle
- Reduces potential leak points, absorbs the shock from the wheels and reduces stress on the chassis



Mast Channels

- Enhanced operator visibility through narrow flanges
- Added mast strength from deep web design
- Increased load capacity due to larger rollers canted three degrees with full-face contact





GIVING YOU TOTAL CONTROL

Performance tailored to your operation



Performance

Fuel Saver Mode

Controlled by a toggle switch on the dash, this feature helps reduce overall fuel consumption and the risk of premature tire wear. The result: up to 14% more fuel efficiency without affecting the top speed of the truck.*

Adjustable Speed Control

Limits top speed in applications that require improved security of loads, congested areas or where pedestrian traffic may be prevalent.



*Fuel efficiency increase shown against previous model in preliminary testing. Levels may vary based on application.

Service

Engine Protection System

Provides greater uptime and lower repair costs by notifying your operator when vital fluids are low or engine maintenance is required.

Maintenance Tools

With up to 500-hour service intervals, on-board diagnostics, display-based indicators and easy access to service components, you can count on maximizing uptime and lowering maintenance costs.



Maneuverability

Hydrostatic Steering – This feature provides precise movement with less effort. The hydrostatic steering is coupled with a tilt steering column and memory function.



Hydraulic Levers – These are ergonomically-designed to fit the operator's hand and posture, while providing the accuracy needed for precise maneuvering.



Optional Fingertip Controls – These controls are mounted to the armrest and allow the operator to easily manipulate the hydraulic system from a comfortable position.





Local service and support



Genuine OEM parts



Custom financing packages

MORE CONFIDENCE





Factory warranty for added protection



Local Support You Can Count On

A Cat lift truck purchase connects you to a variety of material handling solutions, including world-class service and support from your local, trusted dealer. With trained service technicians, a diverse parts inventory and a broad selection of service options, your local dealer can help you lower costs, enhance productivity and more efficiently manage your business.

FINANCING MADE SIMPLE

Financing your next Cat lift truck is easy with our wide range of flexible leasing and purchasing options. Whether you want to finance or lease, your local Cat lift truck dealer can help customize a package for your business.

WHEN EVERY PART COUNTS

When buying from your local Cat lift truck dealer, you can rest assured that your genuine OEM parts are manufactured to meet original equipment criteria. Additionally, all Cat lift trucks OEM parts come with a six-month, unlimited-hours warranty.

When speed is critical, our Parts Fast Or Parts Free Guarantee* ensures next-business-day delivery of all Cat lift trucks parts, or they're free, including freight. If your part doesn't come in by the next business day, we pay for it.

STANDING BEHIND OUR PRODUCTS

We deliver peace of mind by helping your lift trucks stay on the job. Every new Cat lift truck is covered by a 1-year / 2,000-hours warranty that includes parts and labor, as well as components and systems. With our standard 2-year / 4,000-hours extended powertrain warranty, you'll have the confidence that only comes from owning a Cat lift truck.

* At dealer's location.

† Programs may be subject to change without notice and may vary by region.
Please ask your local Cat lift truck dealer for complete terms and conditions.

Specifications

Characteristics				2C3000		2C3500	
1	Capacity – at rated load center	lb	kg	3,000	1,500	3,500	1,750
2	Capacity – at load center-distance	in	mm	24	500	24	500
3	Power			LP Gas		LP Gas	
4	Tire type – cushion or pneumatic			Cushion		Cushion	
5	Wheels (x = driven) – number front / rear			2x / 2		2x / 2	
Dimensions				2C3000		2C3500	
11	Lift with standard two-stage mast – maximum fork height (top of forks)	in	mm	131.0	3,325	131.0	3,325
12	Lift with standard two-stage mast – free fork height	in	mm	4.5	115	4.5	115
13	Forks – length x width x thickness	in	mm	42 x 3.9 x 1.4	1,070 x 100 x 35	42 x 3.9 x 1.4	1,070 x 100 x 35
	Fork spacing – out-to-out minimum / maximum	in	mm	7.9 / 32.3	200 / 820	7.9 / 32.3	200 / 820
14	Tilt – forward / backward	deg		5° / 10°		5° / 10°	
15	Length to fork face	in	mm	81.9	2,080	83.3	2,115
16	Width – with standard tires	in	mm	38.2	970	38.2	970
	Width – with standard tires, wide-stance	in	mm	39.3	997	39.3	997
	Width – with standard tires, wide-axle	in	mm	N/A		N/A	
17	Height – mast lowered	in	mm	83.0	2,105	83.0	2,105
18	Height – seat height	in	mm	43.1	1,096	43.1	1,096
19	Height – top of overhead guard	in	mm	80.9	2,055	80.9	2,055
20	Height – mast extended	in	mm	179.5	4,550	179.5	4,550
21	Minimum outside turning radius	in	mm	69.9	1,775	71.3	1,810
22	Load moment constant	in	mm	15.3	388	15.3	388
23	Minimum aisle - 90° stack - zero clearance w/out load ¹	in	mm	85.2	2,163	86.5	2,198
Performance				2C3000		2C3500	
40	Travel speed loaded / empty	mph	km/h	9.6 / 10.3	15.5 / 16.5	9.6 / 10.3	15.5 / 16.5
41	Lift speed loaded / empty	fpm	mm/s	122 / 124	620 / 630	122 / 124	620 / 630
42	Lowering speed loaded / empty	fpm	mm/s	98.4 / 98.4	500 / 500	98.4 / 98.4	500 / 500
43	Drawbar pull – loaded at 1 mph (1.6 kph)	lb	N	3,750	16,700	3,750	16,700
	Drawbar pull – loaded maximum	lb	N	4,270	19,000	4,270	19,000
44	Gradeability – loaded at 1 mph (1.6 kph)	%		45		40	
	Gradeability – maximum loaded	%		53		47	
Weight				2C3000		2C3500	
50	Empty	lb	kg	6,040	2,740	6,420	2,910
51	Axle load – without load front / rear	lb	kg	2,350 / 3,720	1,070 / 1,690	2,230 / 4,230	1,010 / 1,920
	Axle load – with load front	lb	kg	7,870	3,570	8,670	3,930
Chassis				2C3000		2C3500	
60	Tire size – front, standard	in		18 x 6 x 12.125		18 x 6 x 12.125	
61	Tire size – rear	in		14 x 5 x 10		14 x 5 x 10	
62	Wheelbase	in	mm	46.9	1,190	46.9	1,190
63	Tread width – front, standard tires	in	mm	32.2	818	32.2	818
	Tread width – front, wide-stance tires	in	mm	33.3	845	33.3	845
64	Tread width – rear, standard tires	in	mm	32.3	820	32.3	820
65	Ground clearance – at lowest point of mast	in	mm	3.0	75	3.0	75
66	Ground clearance – at center of wheelbase	in	mm	4.6	116	4.6	116
67	Service brakes	type		Foot, Hydraulic		Foot, Hydraulic	
68	Parking brakes	type		Hand, Mechanical		Hand, Mechanical	
Powertrain				2C3000		2C3500	
80	Engine model			GK21E		GK21E	
81	Continuous output (S.A.E. gross)	HP	kW	50	37.4	50	37.4
		at rpm		2,400		2,400	
82	Maximum torque (S.A.E. gross)	lb-ft	Nm	111	151	111	151
		at rpm		2,000		2,000	
83	Cylinder / displacement	cu in	L	4 / 126	4 / 2.1	4 / 126	4 / 2.1
84	Transmission type			Powershift		Powershift	
85	Number of speeds forward / reverse			1 / 1		1 / 1	
	Battery	volts		12		12	
Hydraulics				2C3000		2C3500	
86	Relief pressure – For attachments at auxiliary valve	psi	bar	2,630	181	2,630	181
88	Hydraulic flow – For attachments at auxiliary valve	gpm	L/min	19.0	72.0	19.0	72.0

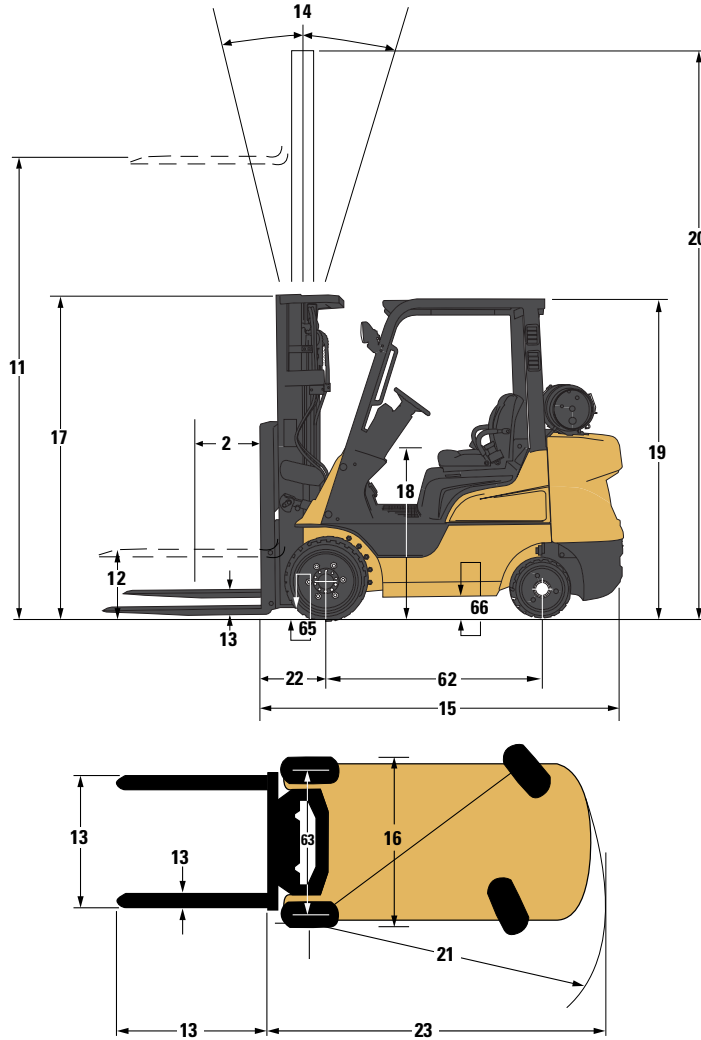
2CC4000			2C4000			2C5000					
1	lb	kg	4,000	2,000	4,000	2,000	5,000	2,500			
2	in	mm	24	500	24	500	24	500			
3	LP Gas			LP Gas			LP Gas				
4	Cushion			Cushion			Cushion				
5	2x / 2			2x / 2			2x / 2				
2CC4000			2C4000			2C5000					
11	in	mm	131	3,330	131.5	3,340	131.5	3,340			
12	in	mm	4.7	120	5.1	130	5.1	130			
13	in	mm	42 x 3.9 x 1.6	1,070 x 100 x 40	42 x 3.9 x 1.6	1,070 x 100 x 40	42 x 3.9 x 1.6	1,070 x 100 x 40			
	in	mm	7.9 / 32.3	200 / 820	7.9 / 36.2	200 / 920	7.9 / 36.2	200 / 920			
14	deg	5° / 10°			5° / 9°			5° / 9°			
15	in	mm	85.6	2,175	90.2	2,290	92.5	2,350			
16	in	mm	40.2	1,021	41.9	1,064	41.9	1,064			
	in	mm	N/A			44.4	1,128	44.4	1,128		
	in	mm	N/A			N/A					
17	in	mm	83.5	2,105	83.0	2,110	83.0	2,110			
18	in	mm	43.1	1,096	43.3	1,100	43.3	1,100			
19	in	mm	80.9	2,055	81.5	2,070	81.5	2,070			
20	in	mm	179.5	4,550	180	4,570	180	4,570			
21	in	mm	72.8	1,850	77.4	1,965	79.5	2,020			
22	in	mm	15.9	404	16.3	414	16.3	414			
23	in	mm	88.7	2,254	93.7	2,379	95.8	2,434			
2CC4000			2C4000			2C5000					
40	mph	km/h	9.6 / 10.3	15.5 / 16.5	10.9 / 11.2	17.5 / 18.0	10.9 / 11.2	17.5 / 18.0			
41	fpm	mm/s	122 / 124	620 / 630	126 / 130	640 / 660	126 / 130	640 / 660			
42	fpm	mm/s	98.4 / 98.4	500 / 500	98.4 / 98.4	500 / 500	98.4 / 98.4	500 / 500			
43	lb	N	3,660	16,300	4,650	20,700	4,610	20,500			
	lb	N	4,160	18,500	5,190	23,100	5,170	23,000			
44	%	36.0			45			37			
	%	42.0			51			43			
2CC4000			2C4000			2C5000					
50	lb	kg	6,980	3,170	7,310	3,320	8,110	3,680			
51	lb	kg	2,040 / 4,890	930 / 2,220	3,050 / 4,290	1,380 / 1,950	2,800 / 5,340	1,270 / 2,420			
	lb	kg	9,440	4,280	9,990	4,530	11,470	5,200			
2CC4000			2C4000			2C5000					
60	in	18 x 7 x 12.125			21 x 7 x 15			21 x 7 x 15			
61	in	14 x 5 x 10			16 x 6 x 10.5			16 x 6 x 10.5			
62	in	mm	46.9	1,190	55.1	1,400	55.1	1,400			
63	in	mm	33.2	843	34.9	886	34.9	886			
	in	mm	N/A			37.4	950	37.4	950		
64	in	mm	32.3	820	35	890	35	890			
65	in	mm	3.0	75	3.1	80	3.1	80			
66	in	mm	4.6	116	5.5	139	5.5	139			
67	type	Foot, Hydraulic			Foot, Hydraulic			Foot, Hydraulic			
68	type	Hand, Mechanical			Hand, Mechanical			Hand, Mechanical			
2CC4000			2C4000			2C5000					
80			GK21E			GK25E			GK25E		
81	HP	kW	50	374	63	46.9	63	46.9			
	at rpm	2,400			2,700			2,700			
82	lb-ft	Nm	111	151	139	188	139	188			
	at rpm	2,000			1,600			1,600			
83	cu in	L	4 / 126	4 / 2.1	4 / 152	4 / 2.5	4 / 152	4 / 2.5			
84	Powershift			Powershift			Powershift				
85	1 / 1			1 / 1			1 / 1				
	volts	12			12			12			
2CC4000			2C4000			2C5000					
86	psi	bar	2,630	181	2,630	181	2,630	181			
88	gpm	L/min	19.0	72.0	23.5	89.1	23.5	89.1			

NOTE: These specifications assume the use of drive axles, tires and tilt angles specified. Any modification to specifications, or any other combination of specifications made after the shipment of the truck, requires prior written approval from Mitsubishi Caterpillar Forklift America Inc. (MCFA). (See ANSI/ITSDF B56.1.) Also be advised that overall operating visibility may be affected by the mast configuration and mast options of your truck. Therefore, you may need to add ancillary [auxiliary] devices or modify your operating practices. Consult your dealer for further information.

Characteristics				2C5500		2C6000	
1	Capacity – at rated load center	lb	kg	5,500	2,800	6,000	3,000
2	Capacity – at load center-distance	in	mm	24	500	24	500
3	Power			LP Gas		LP Gas	
4	Tire type – cushion or pneumatic			Cushion		Cushion	
5	Wheels (x = driven) – number front / rear			2x / 2		2x / 2	
Dimensions				2C5500		2C6000	
11	Lift with standard two-stage mast – maximum fork height (top of forks)	in	mm	130.5	3,315	130.5	3,315
12	Lift with standard two-stage mast – free fork height	in	mm	5.3	135	5.3	135
13	Forks – length x width x thickness	in	mm	42 x 4.9 x 1.8	1,070 x 125 x 45	42 x 4.9 x 1.8	1,070 x 125 x 45
	Fork spacing – out-to-out minimum / maximum	in	mm	7.9 / 378	200 / 960	7.9 / 378	200 / 960
14	Tilt – forward / backward	deg		5° / 6°		5° / 6°	
15	Length to fork face	in	mm	95.1	2,415	96.5	2,450
16	Width – with standard tires	in	mm	43.9	1,115	43.9	1,115
	Width – with standard tires, wide-stance	in	mm	45.5	1,155	45.5	1,155
	Width – with standard tires, wide-axle	in	mm	N/A		N/A	
17	Height – mast lowered	in	mm	83.0	2,110	83.0	2,110
18	Height – seat height	in	mm	43.3	1,100	43.3	1,100
19	Height – top of overhead guard	in	mm	81.5	2,070	81.5	2,070
20	Height – mast extended	in	mm	179	4,540	179	4,540
21	Minimum outside turning radius	in	mm	81.3	2,065	82.5	2,095
22	Load moment constant	in	mm	172	436	172	436
23	Minimum aisle - 90° stack - zero clearance w/out load ¹	in	mm	98.5	2,501	99.6	2,531
Performance				2C5500		2C6000	
40	Travel speed loaded / empty	mph	km/h	10.3 / 10.6	16.5 / 170	10.3 / 10.6	16.5 / 170
41	Lift speed loaded / empty	fpm	mm/s	104 / 106	530 / 540	104 / 106	530 / 540
42	Lowering speed loaded / empty	fpm	mm/s	98.4 / 98.4	500 / 500	98.4 / 98.4	500 / 500
43	Drawbar pull – loaded at 1 mph (1.6 kph)	lb	N	4,860	21,600	4,830	21,500
	Drawbar pull – loaded maximum	lb	N	5,510	24,500	5,490	24,400
44	Gradeability – loaded at 1 mph (1.6 kph)	%		36		33	
	Gradeability – maximum loaded	%		41		38	
Weight				2C5500		2C6000	
50	Empty	lb	kg	9,010	4,090	9,440	4,280
51	Axle load – without load front / rear	lb	kg	3,010 / 5,990	1,370 / 2,720	2,820 / 6,580	1,280 / 2,980
	Axle load – with load front	lb	kg	12,640	5,730	13,320	6,040
Chassis				2C5500		2C6000	
60	Tire size – front, standard	in		21 x 8 x 15		21 x 8 x 15	
61	Tire size – rear	in		16 x 6 x 10.5		16 x 6 x 10.5	
62	Wheelbase	in	mm	55.1	1,400	55.1	1,400
63	Tread width – front, standard tires	in	mm	35.9	912	35.9	912
	Tread width – front, wide-stance tires	in	mm	37.5	952	37.5	952
64	Tread width – rear, standard tires	in	mm	35	890	35	890
65	Ground clearance – at lowest point of mast	in	mm	3.1	80	3.1	80
66	Ground clearance – at center of wheelbase	in	mm	5.5	139	5.5	139
67	Service brakes	type		Foot, Hydraulic		Foot, Hydraulic	
68	Parking brakes	type		Hand, Mechanical		Hand, Mechanical	
Powertrain				2C5500		2C6000	
80	Engine model			GK25E		GK25E	
81	Continuous output (S.A.E. gross)	HP	kW	63	46.9	63	46.9
		at rpm		2,700		2,700	
82	Maximum torque (S.A.E. gross)	lb-ft	Nm	139	188	139	188
		at rpm		1,600		1,600	
83	Cylinder / displacement	cu in	L	4 / 152	4 / 2.5	4 / 152	4 / 2.5
84	Transmission type			Powershift		Powershift	
85	Number of speeds forward / reverse			1 / 1		1 / 1	
	Battery	volts		12		12	
Hydraulics				2C5500		2C6000	
86	Relief pressure – For attachments at auxiliary valve	psi	bar	2,630	181	2,630	181
88	Hydraulic flow – For attachments at auxiliary valve	gpm	L/min	23.5	89.1	23.5	89.1

Call-out numbers shown in the diagram correspond to the first column of the specifications chart.

2C6500				
1	lb	kg	6,500	3,300
2	in	mm	24	500
3	LP Gas			
4	Cushion			
5	2x / 2			
2C6500				
11	in	mm	131.0	3,345
12	in	mm	5.5	140
13	in	mm	42 x 4.9 x 1.8	1,070 x 125 x 45
	in	mm	7.9 / 37.8	200 / 960
14	deg	5° / 6°		
15	in	mm	97.6	2,480
16	in	mm	43.9	1,115
	in	mm	45.5	1,155
	in	mm	N/A	
17	in	mm	88.0	2,230
18	in	mm	43.3	1,100
19	in	mm	81.5	2,070
20	in	mm	181	4,570
21	in	mm	83.7	2,125
22	in	mm	17.4	441
23	in	mm	101	2,566
2C6500				
40	mph	km/h	10.3 / 10.6	16.5 / 17.0
41	fpm	mm/s	104 / 106	530 / 540
42	fpm	mm/s	98.4 / 98.4	500 / 500
43	lb	N	4,830	21,500
	lb	N	5,460	24,300
44	%	31		
	%	35		
2C6500				
50	lb	kg	9,880	4480
51	lb	kg	2,680 / 7,200	1,220 / 3,260
	lb	kg	14,010	6,350
2C6500				
60	in	21 x 8 x 15		
61	in	16 x 6 x 10.5		
62	in	mm	55.1	1,400
63	in	mm	35.9	912
	in	mm	37.5	952
64	in	mm	35	890
65	in	mm	3.1	80
66	in	mm	5.5	139
67	type	Foot, Hydraulic		
68	type	Hand, Mechanical		
2C6500				
80	GK25E			
81	HP	kW	63	46.9
	at rpm	2,700		
82	lb-ft	Nm	139	188
	at rpm	1,600		
83	cu in	L	4 / 152	4 / 2.5
84	Powershift			
85	1 / 1			
	volts	12		
2C6500				
86	psi	bar	2,630	181
88	gpm	L/min	23.5	89.1



Safety Standards

These trucks meet American National Standards Institute/Industrial Truck Standards Development Foundation, ANSI/ITSDF B56.1.

UL-Classified by Underwriters Laboratories, Inc., as to fire and electric shock hazard only. Availability: Types G, LP and D standard. Types GS, LPS and DS optional. Users should be aware of, and adhere to, applicable codes and regulations regarding operator training, use, operation, and maintenance of powered industrial trucks, including:

- ANSI/ITSDF B56.1.
- NFPA 505, fire safety standard for powered industrial trucks — type designations, areas of use, maintenance and operation.
- Occupational Safety and Health Administration (OSHA) regulations that may apply.

Contact your Cat lift truck dealer for further information, including operator training programs and auxiliary visual and audible warning systems, fire extinguishers, etc., as available for specific user applications and requirements. Specifications, equipment, technical data, photos and illustrations based on information at time of printing and subject to change without notice. Some products may be shown with optional equipment.

14 2C3000-2C65000 OPTIONS

A Custom Fit

OPTIONS FOR PRODUCTIVITY, COMFORT AND MORE:



Application Packages

Cotton / Fiber Protection Package

This protection package provides a high-speed fan and radiator screen to keep the system clean from dust and debris.

Foundry / Brick Protection Package

Ideal for demanding applications like block and brick fabrication:

- Dust-proof front axle
- Hydraulic tank breathers
- Elevated air intake / pre-cleaner

- Transmission oil filter
- Dual element air filter
- Tilt cylinder boots
- Dashboard indicators



Ergonomics

Swivel Seat

This option, which makes entering and exiting the truck easier, is great for short shuttles.



Rear Grab Bar With Horn Button

This option is ideal for short shuttle applications and those with a significant amount of reverse travel.



Light And Strobe Packages

For darker environments or for applications with higher traffic, these optional light packages help improve operator visibility and visibility of the forklift.

Contact your local dealer to learn more about the different options available for this series.



Your Cat lift truck dealer can provide additional options and features to specialize your lift truck for your unique application. Operator training and custom financing programs are also available to help find the right fit for your business.

Helping move businesses forward – that's how we're built.

1-800-CAT-LIFT | www.mcfa.com/cat

© 2018 MCFA. All Rights Reserved. CAT, CATERPILLAR, their respective logos, "Caterpillar Yellow," the "Power Edge" trade dress as well as corporate and product identity used herein, are trademarks of Caterpillar and may not be used without permission. All registered trademarks are the property of their respective owners.

Some products may be shown with optional equipment.

CECT0201

04/18

