



The People You Know. The Products You Trust.



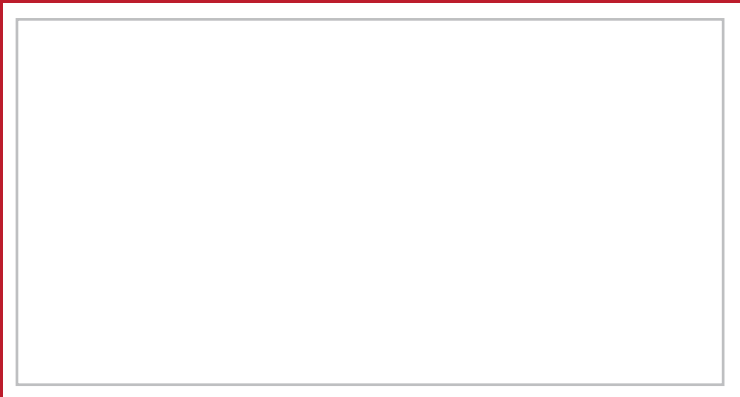
# A7 Tornado<sup>TM</sup>

*8.4 Cubic Yard Regenerative Air Street Sweeper*

\*Sweeper shown with optional equipment



- PM 10 Certified
- WhisperWheel Fan Technology
- Schwarze Sweeps-in-Reverse
- DC Auxiliary Hydraulic Pump



|         |             |               |       |                  |
|---------|-------------|---------------|-------|------------------|
|         |             |               |       |                  |
| Quality | Performance | Public Safety | Value | Customer Support |

800.879.7933

www.schwarze.com

↑ 40" Dump Height

# A7 Tornado™

## 8.4 Cubic Yard Regenerative Air Street Sweeper



◀◀ Sweeps-In-Reverse

\*Optional Equipment Shown

Increased hopper screen surface area through saw-tooth design.

Easy to use backlit switches with text and icon labels.



Shielded broom motor reduces entanglement of strings & twine.



Also available on short wheel base M2 chassis.

### MUST HAVE OPTIONS

#### INCREASED WATER

Extra 350 gallon polyethylene water tank

#### INCREASED SIDE BROOM USABILITY

Add The Gutter Broom Extension Override (Schwarze GEO<sup>SM</sup>)

#### GREATER DURABILITY

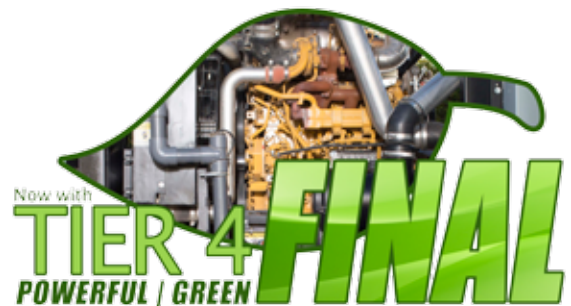
Choose the Stainless Steel Hopper option

#### AT YOUR FINGERTIPS

In-cab down pressure control

#### CLEANING IN TIGHT AREAS

8" auxiliary hand hose







## VALUE

We are dedicated to satisfying our customers by providing the most advanced training for their specific needs. Our training programs are designed to help operators of all skill levels learn the best operating practices for their Schwarze equipment.



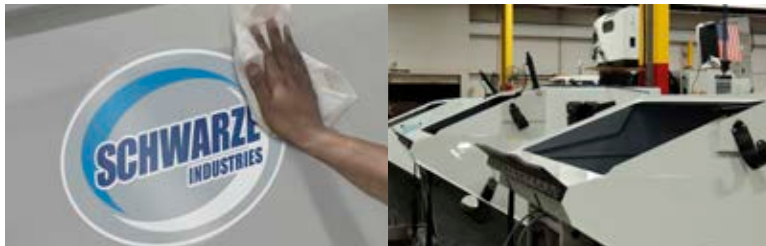
## PERFORMANCE

There is a lot riding on creating solutions that are suited to the particular needs of different industry applications. Innovation often involves high technology, but doesn't always have to be. Some of our best ideas have been simple, based on a clear and deep understanding of our customers' working lives.



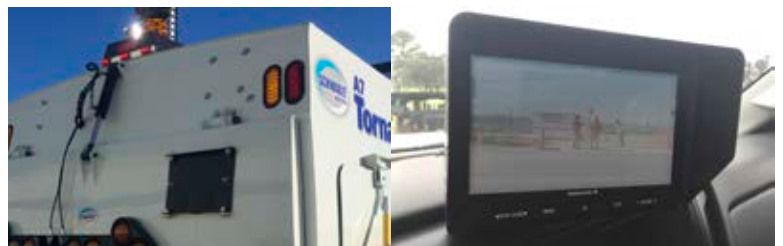
## QUALITY

In a Schwarze product, end user concerns like fuel efficiency, serviceability, durability, purchase cost, service cost, etc. are all taken into account. We also consider the needs and strive for ease of use and application optimization. It should be obvious, because when it comes to cost of ownership, quality pays.



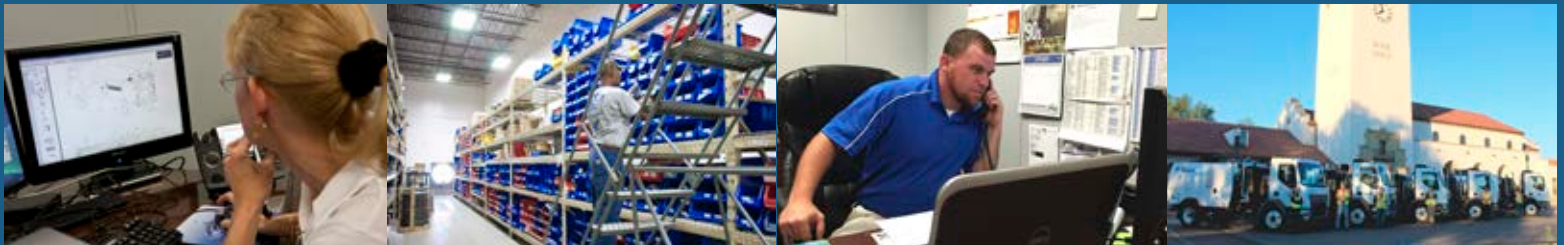
## PUBLIC SAFETY

No other name speaks safety louder than Schwarze. Protecting operators, those around them, and minimizing our environmental impact are traditional values that continue to shape our product design philosophy.



## CUSTOMER SUPPORT

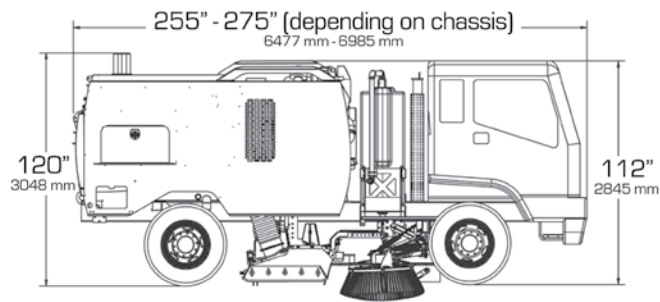
Being a Schwarze customer means having a complete set of services at your fingertips. Schwarze can offer you a long-term relationship, protect your revenue and provide a full range of customer solutions, delivered by passionate people. At Schwarze, we don't see effective service and support just as an added value to your purchase, but as an integral part of it.



Also Available from Schwarze Industries, Inc:



# A7 Tornado



\*TYPICAL MEASUREMENTS SHOWN, EXACT DIMENSIONS DEPENDING ON OPTIONS AND TRUCK MANUFACTURER

## SWEEPING PATH

|                   |                  |
|-------------------|------------------|
| Pickup head only  | 90 in (2286 mm)  |
| Head and 1 broom  | 117 in (2972 mm) |
| Head and 2 brooms | 144 in (3658 mm) |

## CHASSIS

Mounts on various chassis to meet requirements

## SWEEPER BODY

|              |                                       |
|--------------|---------------------------------------|
| Construction | Welded 10-gauge stainless steel plate |
| Safety props | Lift spacers                          |

## STANDARD ENGINE

|                   |  |
|-------------------|--|
| Model/type        | 4045T in-line 4 cylinder   |
| Aspiration        | Tier 4 Final turbo-charged diesel  |
| Manufacturer      | John Deere   |
| Displacement      | 275 cu in. (4.5 L)   |
| Brake horsepower  | 134 hp (100 kw)<br>@ 2400 rpm  |
| Torque            | 398 ft lb (540 Nm)<br>@1600 rpm  |
| Air cleaner       | Centrifugal precleaner;<br>dry type with safety element<br>and restriction indicator |
| Oil filter        | Full-flow/spin-on  |
| Stroke            | 5 in (127 mm)  |
| Bore              | 4.20 in (106 mm)   |
| Compression ratio | 19 to 1  |
| Safety shutdown   | Three-point automatic  |
| Throttle control  | Electronic   |

## SWEEPER ELECTRICAL SYSTEM

|                   |        |
|-------------------|--------|
| Voltage           | 12 V   |
| Engine alternator | 90 amp |

## DUST CONTROL SYSTEM

|                   |   |
|-------------------|---|
| Type              | High pressure/low volume  |
| Capacity          | 250 gallon (946 L)  |
| Tank construction | Polyethylene filter;<br>50 mesh; cleanable  |
| Fill diameter     | 2.5 in (63.5 mm)  |
| Fill hose         | 25 ft (7620 mm)   |
| Controls          | Electric; in-cab  |
| Nozzles           | 2 on each broom;<br>5 around suction head;<br>2 inside suction nozzle;<br>2 on front axle;<br>2 inside hopper |
| Water level gauge | In-cab  |

## INSTRUMENTATION

|                  |  |
|------------------|--|
| Auxiliary engine | Flat panel display;<br>tachometer; hourmeter;<br>voltmeter; temperature<br>gauge; oil pressure gauge;<br>warning icons |
|------------------|--|

## FAN SYSTEM

|                 |   |
|-----------------|---|
| Type            | Closed-face radial                            |
| Drive           | Direct via 5 groove;<br>banded power belt     |
| Construction    | Hardox steel                                  |
| Balance         | 1.5 grams on 2 sides                          |
| Diameter        | 32.75 in (832 mm)                             |
| Housing lining  | Bolt-in corded rubber                         |
| Mounting        | 2 regreasable sealed<br>bearings              |
| Vacuum enhancer | For heavy/light material;<br>in-cab indicator |

## PICKUP HEAD

|                     |   |
|---------------------|---|
| Type                | Dual chambered<br>full-width blast orifice                |
| Operating direction | Forward and reverse                                       |
| Suspension          | Adjustable spring balanced                                |
| Length              | 90 in (2286 mm)   |
| Pressure hose diam  | 14 in (355.6 mm)  |
| Suction hose diam   | 14 in (355.6 mm)  |
| Hose construction   | 3/8 in (9.5 mm)<br>wire-reinforced<br>molded rubber       |
| Head area           | 3240 sq in (20903 sq cm)                                  |
| Controls            | Hydraulic raise and lower                                 |
| Skids               | Double wide tungsten<br>carbide                           |
| Construction        | Abrasion-resistant steel<br>inlet and outlet transitions. |

## SIDE BROOMS

|                       |  |
|-----------------------|--|
| Type                  | Vertical steel digger                  |
| Location              | Right; left; forward of<br>pickup head |
| Diameter              | 42 in (1118 mm)                        |
| Drive                 | Hydraulic                              |
| Suspension            | Torque-sensing spring                  |
| Wear adjustment       | Automatic                              |
| Pressure              | Manual                                 |
| Speed                 | Variable; non-reversing                |
| Segments              | 5 each side; disposable                |
| Tilt angle adjustment | In-cab controls                        |

## DEBRIS HOPPER

|                     |   |
|---------------------|---|
| Volumetric capacity | 8.4 cu yd (6.4 cu m)                    |
| Usable Capacity     | 7.0 cu yd (5.4 cu m)                    |
| Dump angle          | 51 degrees                              |
| Floor angle         | 3 degrees                               |
| Lifting             | Twin hydraulic cylinders                |
| Hopper dump door    | Hydraulic open, close, lock             |
| Inspection doors    | 1 on each side,<br>pressure vessel lock |
| Hopper dump height  | 40 in (1016 mm)                         |
| Debris screens      | Sawtooth drop down                      |

## HYDRAULIC SYSTEM

|                  |  |
|------------------|--|
| Type             | Dual output 2 section  |
| Pump capacity    | 8 gpm @ 1800 rpm<br>(30 lpm) per section<br>for 16 gpm total |
| Drive            | Direct gear  |
| Maximum pressure | 2750 psi (190 bar)   |
| Reservoir        | 25 gal (94 L)  |
| Filter           | 10 micron; spin on   |
| Protection       | Pressure relief valve  |
| Controls         | Electro-hydraulic  |

## AUXILIARY HYDRAULIC SYSTEM

|          |   |
|----------|---|
| Type     | Gear type; driven by<br>electric motor                                      |
| Function | Lower hopper;<br>open/close hopper door;<br>raise brooms and<br>pickup head |

## PAINT

One coat of sealer/primer and two coats of Dupont imron elite polyurethane in standard white color

Note: Design and specifications subject to change without notice.

\*Ask us about our optional:



Affiliates:



© 2018 Schwarze Industries  
1055 Jordan Road  
Huntsville, AL 35811  
800.879.7933  
An Alamo-Group Company

