

NEW



BACKHOE LOADER | 3CX

Gross power: 74hp (55kW) Maximum dig depth: 18 ft6" (5.63m) Maximum loader bucket capacity: 1.3yd³ (1.0m³)



INTRODUCING THE JCB 3CX.

COMBINING LOW COST OF OWNERSHIP, SUPERIOR STRENGTH AND INNOVATIVE FEATURES GALORE, THE JCB 3CX IS ANOTHER GREAT VALUE MACHINE FROM THE WORLD'S NUMBER ONE BACKHOE MANUFACTURER. PRODUCTIVITY, PERFORMANCE AND EFFICIENCY ARE ALL CLASS-LEADING, MAKING THIS A PERFECT SOLUTION FOR LARGE FLEETS, RENTAL YARDS AND SMALLER BUSINESSES ALIKE.

The world's number one.

Market leader in 74 countries, around half of all the backhoe loaders sold in the world today are JCBs.

Value for money.

Our 3CX backhoe offers low cost of ownership and superior strength as standard. Coupled with the industry's best warranty, the 3CX provides customers with unmatched levels of Return on Investment.

Innovation built in.

This machine packs the sort of innovative features that make JCB backhoes synonymous with class-leading productivity, performance and efficiency.

Strength in depth.

There's durability throughout to cope with the rigors of the rental industry, as well as a superior aftercare package and extended warranty.

Low maintenance engine.

JCB EcoMax is a highly efficient 74hp Tier 4 Final engine that doesn't require costly DPF technology; this keeps servicing and refueling costs low.

Excellence in any field.

The 3CX is the number one go-to solution for large fleets, rental yards and owner operators alike.



COMPETITORS'
COMBINED
MARKET SHARE

JCB

As global market leader, JCB sells around half of all the world's backhoe loaders.

COST OF OWNERSHIP AND EFFICIENCY.

WE UNDERSTAND THAT A LOW COST OF OWNERSHIP IS ESSENTIAL IN TODAY'S COMPETITIVE WORLD. WHETHER YOU RENT OR OPERATE YOUR FLEET, THE JCB 3CX IS DESIGNED TO GIVE YOU ULTIMATE VALUE FOR YOUR MONEY.

Maximum return on investment.

1 The JCB 3CX delivers superb return on investment as well as affordable insurance, finance and service parts.

2 Unlike most comparable backhoes, this is an extremely efficient machine. JCB's EcoMax engine is very powerful and offers excellent fuel economy by producing high torque at low revs.

EcoMAX is a highly durable engine design, with tens of thousands of units in service all over the world working on a huge range of different applications.

3 The 3CX has a top speed of 23mph so you can reduce travel times on site and between locations.

4 With high breakout forces you'll be able to shift more material in less time. Put simply, these are the most efficient loaders in their class.



2



1



3



4

QUALITY, RELIABILITY AND DURABILITY.

WHATEVER YOU HAVE IN STORE FOR YOUR BACKHOE LOADER FLEET, YOU'RE SAFE IN THE KNOWLEDGE THAT THE JCB 3CX IS BUILT TO WITHSTAND ANYTHING. STRUCTURAL PARTS ARE UNCOMPROMISINGLY TOUGH, AND KEY COMPONENTRY IS WELL PROTECTED FROM HARM.



Designed and built by JCB.

1 The 3CX range's cabs, axles, transmissions and engines are all designed and built by JCB. All components therefore work in perfect harmony for optimum reliability.

2 We use state-of-the-art manufacturing processes like robot machining, precision paint technology and innovative assembly techniques to achieve the highest levels of quality.



Tested to the limits.

3 To ensure maximum reliability, we've tested our EcoMax engine rigorously in climates ranging from -40°F to 115°F with a grid heater fitted.

Fluorescent dye is added to the hydraulic oil so we can accurately identify any potential leaks during testing.



Each key component of the latest JCB backhoe range is stringently tested. The chassis, boom, loader arms and other major parts are all subjected to prolonged high-stress loading, while the transmission design has been repeatedly put through its paces over thousands of cycles.

Rear stabilizers are equipped with twin hose burst check valves (HBCVs), which means the legs can't move during machine operation.

Built to last.

- 6 JCB precision machining provides high tolerances and accurate location of pins and bushings.
- 7 The hydraulic cylinders have friction welded ends to give extra strength.
- 8 We use a powder coat paint process which provides a high quality finish. Paint coverage is optimized and your machine stays looking good for longer.
- 9 By heating the boom and dipper to 1200°F, we remove any internal stresses caused by manufacturing and welding. This process doubles the life of our booms and reduces the overall machine weight at the same time.

Protected from damage.

- 10 JCB stabilizer cylinder guards are fitted as standard to reduce downtime by protecting your backhoe from potential costly damage.
- 11 To protect boom and dipper hoses from the perils of trenchwork, we've enclosed them inside the rear structures of the machine.

The stabilizer leg hoses are protected to prevent damage from material spillage when using the excavator.

- 12 Kingpost hoses, meanwhile, are enclosed in a flexible, robust guide to keep them from snagging or sustaining damage.

The steering cylinders are positioned high up behind the front axle which provides additional protection when moving over arduous ground.



PRODUCTIVITY AND PERFORMANCE.

THE JCB 3CX IS DESIGNED TO OFFER YOU ULTIMATE PRODUCTIVITY – WHICH OF COURSE EQUATES TO ULTIMATE VALUE-FOR-MONEY. PERFORMANCE IS BEST-IN-CLASS AND SO IS THE MACHINE'S STANDARD SPECIFICATION.

A more productive backhoe.

1 The JCB EcoMax engine produces its peak power and torque at low engine speeds, which makes for exceptional responsiveness, great economy and outstanding performance.

2 Select our optional Extradig package and an innovative inner box design to give you an extra 3'9" of reach and dig depth. That means less repositioning and, of course, more efficiency.

The boom and dipper are of equal length, this allows digging close to the machine, meaning less repositioning, thus saving fuel.

3 A large 38 gallon fuel tank extends refuelling intervals and maximizes productivity.

4 This backhoe excels in both uneven terrain and confined spaces thanks to a winning combination of high ground clearance and an excellent turning circle.

5 Powerful swing forces ensure fast and controllable backfilling.



To guarantee ultimate performance in all conditions, the 3CX is equipped with 4WD as standard, and has a top speed of 23mph.



Lifting standards.

7 Load retention is exceptional with the 3CX's 45° loader bucket rotation.

Best-in-class loader bucket break out forces give exceptional breakout ability improving loading times.

8 Reduce downtime during attachment changes by choosing our mechanical rear quickhitch option.

9 Limited Slip Differential provides automatic traction control to enable the machine to drive in the toughest of conditions and enables the machine to still steer unlike differential lock designs.

10 JCB's highly versatile 6-in-1 bucket is compatible with the 3CX backhoe, meaning that operators can dig, doze, load, grab, grade and backfill with just one tool.

11 Excellent forward reach enables the machine to reach much further and effective loading into high sided trucks.

12 You can easily operate high powered attachments like breakers and patch planers courtesy of a high performance 32.5g/min hydraulic pump.

13 Large 24" wheels give excellent stability when working on uneven ground.



SERVICEABILITY.

WE'VE MADE SURE THE JCB 3CX WILL PROVIDE MAXIMUM UPTIME BY VIRTUE OF BEING INCREDIBLY EASY TO SERVICE. ROUTINE MAINTENANCE IS STRAIGHTFORWARD, DAILY CHECKS COULDN'T BE SIMPLER, AND THERE'S PLENTY OF GROUND-LEVEL ACCESSIBILITY.

Easier routine servicing.

1 All of the 3CX's daily checks and routine servicing can be done from one side of the machine. Important service items are grouped for improved access and productivity.

Daily under hood checks are monitored electronically so are not reliant on the operator carrying out the checks to minimize downtime and to avoid expensive repairs.

2 The hood is a one-piece unit, and opens easily without having to remove extra panels.

3 Greasing and refuelling can both be done from ground level, making them easy and safe tasks to carry out on a 3CX.

4 We've made the battery on this backhoe very easy-to-access and replace.

| SERVICE INTERVALS | |
|----------------------|------------------|
| Engine oil | Every 500 hours |
| Engine oil filter | Every 500 hours |
| Hydraulic oil | Every 2000 hours |
| Hydraulic oil filter | Every 500 hours |
| Transmission oil | Every 500 hours |
| Transmission filter | Every 500 hours |
| Axle oil | Every 1000 hours |



We've fit additional fuel filtration to reduce dirt in fluids and prevent blockages.



Minimizing downtime.

6 A lockable front grill safeguards the battery and isolator, eliminating potentially costly theft-related downtime.

Exceptional ground clearance (best-in-class) enables the machine to drive over difficult terrain and reduces costly damage to the underside of the machine.

6 There's no time-consuming dust bowl or precleaner to maintain on this machine, saving precious operator time and improving forward visibility. What's more, our scavenge design discharges dirt from the exhaust to extend air filter life.

7 The large, 22 gallon hydraulic tank is mounted outboard for easy access and improved cooling, therefore improving the life span of oil.

8 Hydraulic hoses all meet at the bulkhead manifold, meaning that replacement is straightforward.



COMFORT AND EASE OF USE.

ANOTHER IMPORTANT CONTRIBUTOR TO PRODUCTIVITY IS COMFORT – AFTER ALL, A COMFORTABLE OPERATOR IS A PRODUCTIVE ONE. ACCORDINGLY, THE JCB 3CX IS DESIGNED FOR DAY-LONG OPERATOR COMFORT.

A great place to work.

- 1 New optional pilot controls combined with a standard fit ISO/SAE changeover makes it simple for operators to tailor the machine to suit their needs.
- 2 The pilot controls conveniently swing into position improving operator comfort and swing out for easy transitions between loader and excavator.
- 3 Air conditioning is standard on cab units providing operators a comfortable working environment.
- 4 A fully adjustable mechanical suspension seat is standard, providing operators improved comfort during long shifts.
- 5 A low effort braking system reduces operator fatigue.

The cab layout is simple and intuitive making the machine simple to use in both manual or optional pilot controls configurations.



SAFETY AND SECURITY.

SAFETY IS OF PARAMOUNT IMPORTANCE ON ANY SITE, SO THE JCB 3CX HAS PLENTY OF FEATURES TO PROTECT ITSELF, ITS OPERATORS AND BYSTANDERS ALIKE.

A great place to work.

1 Getting in and out of a JCB 3CX is easy and safe courtesy of large, anti-slip steps with an open grill design to prevent material build-up. Not only that but there are always three points of contact available to an operator when entering and exiting the machine.



2 With a laminated front windshield and toughened flat glass everywhere else, operator safety is optimized, including during powered attachment use. If a piece of glass does need replacing, this can be done quickly and easily to minimize downtime.

3 Four cylinder geometry means the bucket cylinders are in line with the loader arms providing best-in-class forward visibility. This design also provides a self leveling loader which ensures the load is always kept safe, especially when using forks.



4 The rear boom lock ensures safety during road travel. The cable operated boom lock stops removable pins from being lost.

5 Stabilizer leg check valves prevent the stabilizers from dropping in the event of a hose failure.

In a JCB 3CX, operators sit higher up than in most construction machinery. This viewpoint provides excellent visibility through 360° of the working area.



THE OPTIONS LIST.

THE JCB 3CX IS A VERY VERSATILE MACHINE AS STANDARD, BUT IT'S EVEN MORE FLEXIBLE AND PRODUCTIVE WHEN YOU START TO EQUIP IT WITH OUR FACTORY-APPROVED OPTIONAL EXTRAS.

6-in-1 loader bucket.

1 Dig, doze, load, grab, grade and backfill using just this one incredibly versatile tool.

Quickhitch options.

2 Our mechanical excavator quick coupler makes attachment changes quicker for improved productivity.

Heavy-duty bucket.

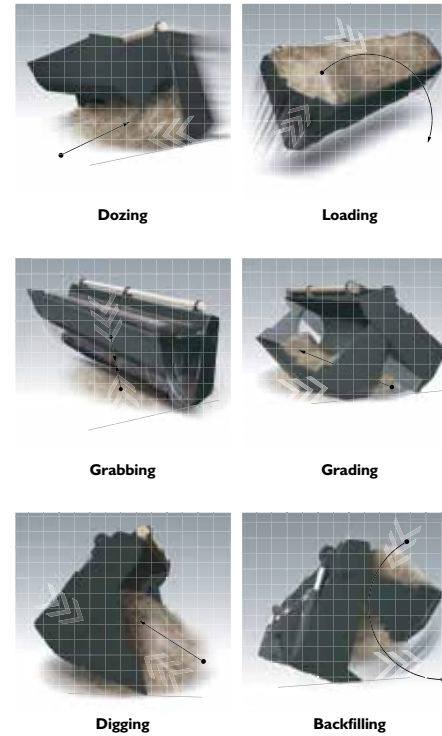
3 Extra ribbed plates provide extra strength and reduce wear when you're working with harder material.

Extending dipper.

4 Choose our extending dipper option to increase the working range of your backhoe loader. The innerbox design provides class-leading lift capacities and is easy-to-service in the field.

Auxiliary circuits.

5 You can dramatically increase the versatility of your 3CX with JCB's hammer circuit. This feature allows you to use breakers, patch planers and other powerful attachments.



1





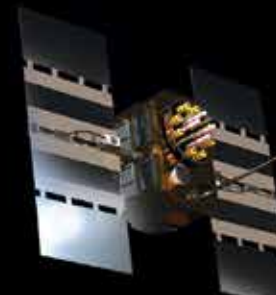
LIVELINK, WORK SMARTER.

LIVELINK IS AN INNOVATIVE SOFTWARE SYSTEM THAT LETS YOU MANAGE JCB MACHINES REMOTELY – ONLINE, BY EMAIL OR ON YOUR CELL PHONE. ACCESS EVERYTHING FROM MACHINE ALERTS TO FUEL REPORTS AND HISTORY INFORMATION, WITH ALL DATA STORED AT A SECURE CENTER.

LiveLink package is standard for 2 years.

Productivity and cost benefits

By providing information like idle time monitoring and machine fuel consumption, JCB LiveLink helps reduce your fuel usage and DEF levels, saving money and improving productivity. Machine location information can help improve efficiency and perhaps even reduce insurance costs.



Maintenance benefits

Manage machine maintenance easily – accurate hours monitoring and service alerts improve maintenance planning, while real-time location data helps you manage your fleet. Critical machine alerts and maintenance history records are also available.



Security benefits

LiveLink's real-time geofencing alerts tell you when machines move out of predetermined zones, and real-time curfew alerts inform you of unauthorized usage. Further benefits include real-time location information.



VALUE ADDED.

NORTH AMERICA'S STRONG AND FAST GROWING DEALER NETWORK IS READY TO BACK YOU UP. WHATEVER YOU NEED AND WHEREVER YOU ARE, WE'LL BE AVAILABLE QUICKLY AND EFFICIENTLY TO HELP MAKE SURE YOUR MACHINERY IS PERFORMING TO ITS FULL POTENTIAL.

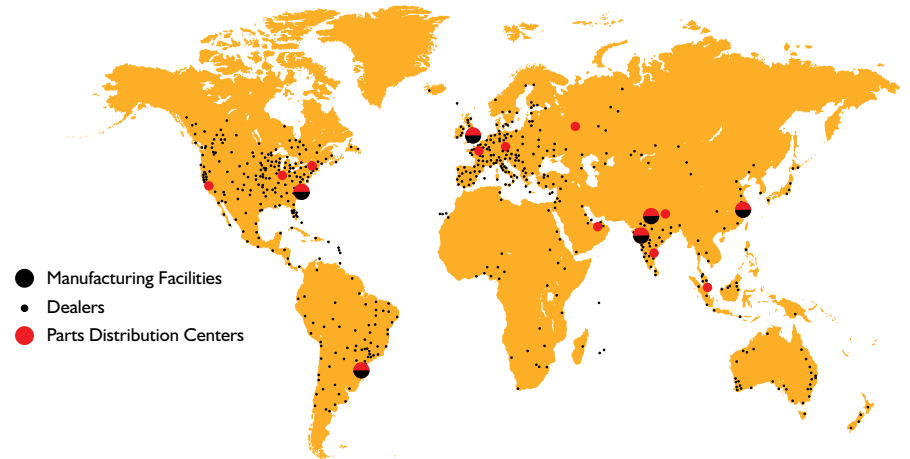


1 Our Technical Support Service provides instant access to factory expertise, day or night.

2 The global network of JCB Parts Centers is another model of efficiency; with 16 regional bases, we can deliver around 95% of all parts anywhere in the world within 24 hours. Our genuine JCB parts are designed to work in perfect harmony with your machine for optimum performance and productivity.

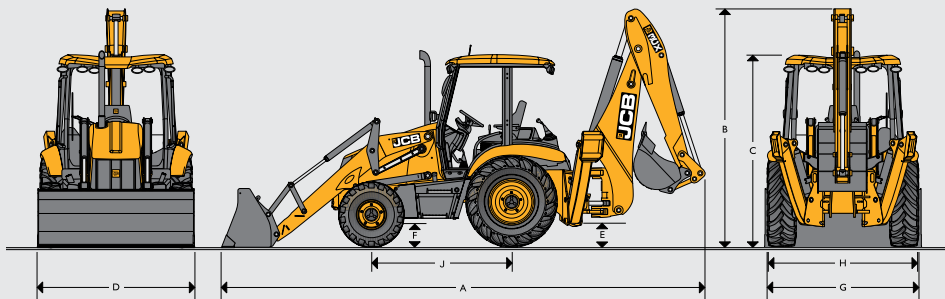


3 JCB Product Support offers comprehensive extended warranties and service agreements, as well as service-only or repair and maintenance contracts. Irrespective of what you opt for, our maintenance teams around the world charge competitive labor rates, and offer non-obligation quotations as well as fast, efficient insurance repair work.



STATIC DIMENSIONS

Loader end max. payload: 4078lb (1850kg) Max. lift height: 10.59ft (3.23meters)

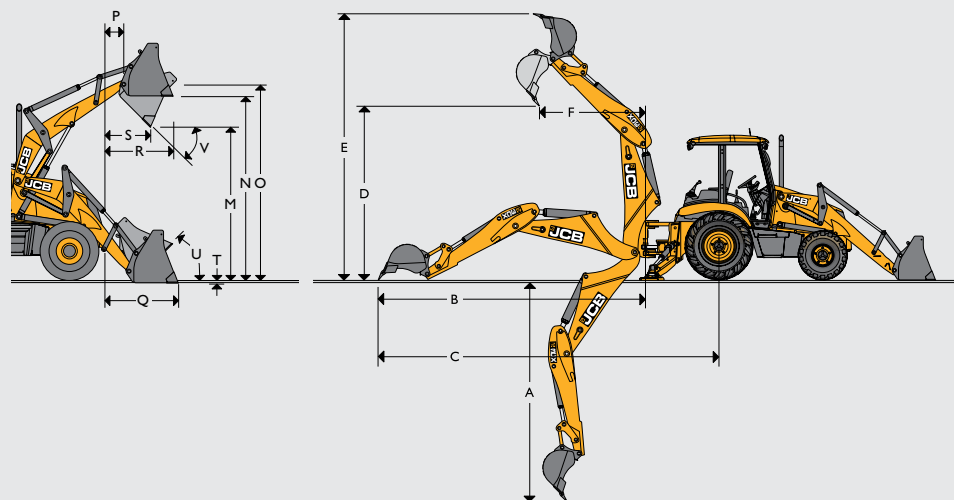


| Drive | | 4WD | |
|-------|-------------------------------------|-----------|--------------|
| A | Transport length | ft-in (m) | 23-7 (7.19) |
| B | Transport height – standard Backhoe | ft-in (m) | 11-3 (3.43) |
| B | Transport height – Extradig | ft-in (m) | 11-7 (3.53) |
| C | Height to top of cab/canopy | ft-in (m) | 9-3 (2.81) |
| D | Overall width with loader bucket | ft-in (m) | 7-8 (2.45) |
| E | Ground clearance – mainframe | ft-in (m) | 1-1 (0.33) |
| F | Ground clearance – front axle | ft-in (m) | 1-1.4 (0.34) |
| G | Front wheel track | ft-in (m) | 7-1 (2.16) |
| H | Rear wheel track | ft-in (m) | 7-3 (2.21) |
| J | Wheelbase | ft-in (m) | 7-1 (2.17) |

ENGINE

| | | | |
|----------------------------------|--------------|-----------|--|
| Manufacturer | JCB | | |
| Aspiration | Turbocharged | | |
| Displacement | liter | 4.4 | |
| No. of cylinders | 4 | | |
| Bore | inch | 4.05 | |
| Stroke | inch | 5.0 | |
| Rated engine | rpm | 2200 | |
| Power ratings | | | |
| Gross HP - SAE J1995 (ISO 14396) | hp (kW) | 74 (55) | |
| Net HP - SAE J1349 | hp (kW) | 71 (53) | |
| Maximum torque | | | |
| Rated ISO 14396 (SAE J1995) | lb ft (Nm) | 295 (400) | |
| Max. Torque | rpm | 1200 | |

EXCAVATOR/LOADER PERFORMANCE



| Excavator performance | | Fixed dipper | Extending dipper | |
|-----------------------|---|-----------------------------------|------------------------|---------------------------|
| A | Max dig depth | ft-in (m) | 14-7 (4.24) | 18-6 (5.46) |
| B | Reach-ground level to rear wheel center | ft-in (m) | 22 (6.72) | 25-10 (7.87) |
| C | Reach-ground level to slew center | ft-in (m) | 17-6 (5.37) | 21-4 (6.52) |
| D | Reach at full height to slew center | ft-in (m) | 9 (2.74) | 12 (3.66) |
| E | Max. working height | ft-in (m) | 18 (5.53) | 20-10 (6.35) |
| F | Max. load over height | ft-in (m) | 12-7 (3.84) | 15-6 (4.72) |
| G | Bucket rotation – power | degrees | 185° | 185° |
| | Bucket breakout force | lbf (kgf) | 13940 (6324) | 13730 (6228) |
| | Dipper breakout force | lbf (kgf) | 7092 (3217) | 7110 (3225) |
| Loader performance | | GP | 6-in-1 | |
| M | Dump height | ft-in (m) | 9 (2.74) | 7 (2.72) |
| N | Load over height | ft-in (m) | 10-6 (3.23) | 10-6 (3.20) |
| O | Pin height | ft-in (m) | 11-4 (3.45) | 11-4 (3.45) |
| P | Pin forward reach | ft-in (m) | 1 (0.36) | 1 (0.36) |
| Q | Reach at ground | ft-in (m) | 4-7 (1.42) | 4-6 (1.37) |
| R | Max. reach at full height | ft-in (m) | 4 (1.20) | 3-8 (1.15) |
| S | Reach at full height – bucket dumped | ft-in (m) | 2-8 (0.83) | 2-6 (0.78) |
| T | Below ground level dig depth | ft-in (m) | 0-3 (0.07) | 0-3 (0.10) |
| U | Rollback at ground | degrees | 45° | 45° |
| V | Dump angle | degrees | 43° | 43° |
| | Shovel breakout force | lbf (kgf) | 13600 (6170) | 14400 (6531) |
| | Loader arm breakout force | lbf (kgf) | 10900 (4942) | 10430 (4732) |
| | Shovel capacity | yd ³ (m ³) | 1.0 (0.88) (GP shovel) | 1.3 (1.0) (6-in-1 shovel) |
| | Loader lift capacity | lb (kg) | 7705 (3495) | |

SERVICE CAPACITIES

| | | |
|-----------------------------|-----------|------------|
| Cooling system | gal (ltr) | 4.2 (18.5) |
| Fuel tank | gal (ltr) | 38 (173) |
| Engine oil with filter | gal (ltr) | 3.4 (15) |
| Gearbox with filter | gal (ltr) | 3.6 (16) |
| Rear axle | gal (ltr) | 3.6 (16) |
| Front axle | gal (ltr) | 3.6 (16) |
| Hydraulic system incl. tank | gal (ltr) | 29.5 (130) |
| Hydraulic tank | gal (ltr) | 22 (85) |

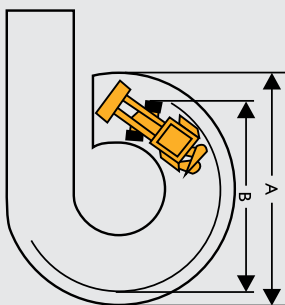
TRANSMISSION

JCB Synchro-shuttle transmission: It provides superb drive power in all conditions. It consists of a 4-speed, full synchromesh gearbox with integral torque convertor and electrically operated reversing power shuttle.

- Easy-to-use, column mounted electric reversing shuttle which can change machine direction while allowing operator to keep hands on the steering wheel leading to fast cycle times.
- The pedal layout and conventional 4-pattern gear lever with transmission disconnect switch adds to the overall ease of operation. On-the-move gear changes are possible.
- Torque convertor stall ratio is 2.52:1

| | |
|-----------------------|---------------------|
| Manufacturer | JCB |
| Type | Synchroshuttle |
| Gears forward/reverse | 4 forward/4 reverse |
| Shuttle control – F/R | Power shuttle |
| Travel speeds* | mph (kph) |
| Gear 1 | 3 (4.9) |
| Gear 2 | 5.3 (8.6) |
| Gear 3 | 12.3 (19.8) |
| Gear 4 | 22.8 (36.7) |

*Speeds may vary dependant on tire selection.

TURNING RADIUS

* Standard bucket in travel position

Inner wheels braked

| | |
|-------------------------|-------|
| A Outside loader bucket | 9.50m |
| B Outside wheels | 6.90m |

Inner wheels not braked

| | |
|-------------------------|--------|
| A Outside loader bucket | 10.40m |
| B Outside wheels | 8.10m |

STEERING

Front wheel full power hydrostatic system utilizing the main hydraulic pump via a steering priority valve. In the event of engine failure, emergency steering is maintained (all models).

BRAKES

Service: Hydraulically actuated dual line, self adjusting, oil immersed, multi-disc type on the rear axle, well protected from dirt, water etc. requiring no maintenance.

Parking: Hand operated, disc brake on rear axle input disc.

Brake pedal: Two independently operable foot pedals enable the machine to maneuver in tight spaces. Pedals are linked together for normal use.

HYDRAULIC SYSTEM

- Main relief valve: 3,655 psi • Unloader valve: 3,002 psi • Pump type: 2 section displacement gear
- Pump capacity: 32.5g/min • Filtration through suction strainer and return line JCB Filtermatic filter
- During excavation the circuit automatically varies hydraulic power to match digging conditions for extra performance, control and power • Careful routing of hydraulic hoses and pipework guards against site damage and allows easy servicing.

CAB

- Floor mats • Fully adjustable seat and soft touch steering wheel • 'Walk through' two door access
- 3" seat belt • Large convex rear view mirror • Interior light • Front windshield wiper • Horn • Hazard warning system • Tool box • Instrumentation panel includes engine speed, engine hours, fuel level, water temperature gauge and 12v connection • Audible and visual fault warning system for alternator charge, coolant temperature, engine oil pressure, blocked air filter, transmission oil pressure and temperature, and hand brake on.

AXLES

Rear: Drive axle rigidly mounted, incorporates JCB Max-Trac torque proportioning differential, driven by short propshaft from gear box.

Front: 4WD, Steer axle, centrally pivoted with oscillation angle of 16°.

ELECTRICAL AND INSTRUMENTATION

12 volt negative ground, utilizing wiring and connectors meeting IP69 water ingress test standard. Central fuse panel.

Battery: 110 A/hr **Alternator:** 95 amp standard.

Rear working lights: 2 fixed and 4 adjustable.

TIRES

Front: Galaxy 14x17.5-10 (4WD)

Rear: Galaxy 19.5x24-12 (4WD)

WEIGHT

Operating: 17,196lb (7,800kg)

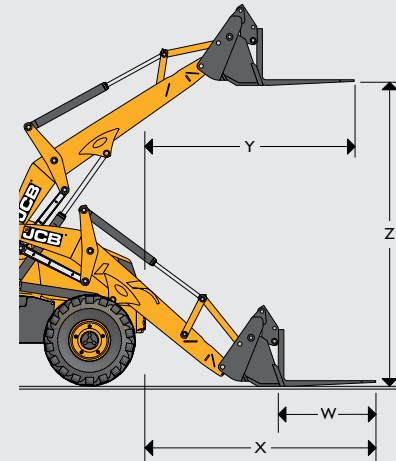
OPTIONS

Extending Dipper, Cab with Air Conditioning, Hammer Pipework, Loader Pipework, Engine Block Heater

BACKHOE LIFT CAPACITIES

| Excavator type | | Standard | Extradig – Retracted | Extradig – Extended |
|---------------------------------------|----|----------|----------------------|---------------------|
| Boom lift capacity - SAE J31 | | | | |
| +16 | lb | - | - | 1938 |
| +14 | lb | 3386 | 3227 | 2117 |
| +12 | lb | 3438 | 3266 | 2144 |
| +10 | lb | 2550 | 2414 | 1631 |
| +8 | lb | 2459 | 2320 | 1615 |
| +6 | lb | 2363 | 2222 | 1589 |
| +4 | lb | 2270 | 2127 | 1561 |
| +2 | lb | 2184 | 2018 | 1534 |
| Ground level | lb | 2105 | 1957 | 1502 |
| -2 | lb | 2034 | 1884 | 1476 |
| -4 | lb | 1972 | 1819 | 1454 |
| -6 | lb | 1923 | 1766 | 1440 |
| -8 | lb | 1897 | 1735 | 1436 |
| -10 | lb | 1948 | 1770 | 1453 |
| -12 | lb | - | - | 1517 |
| -14 | lb | - | - | 1801 |
| Dipper lift capacity - SAE J31 | | | | |
| +16 | lb | - | - | 2065 |
| +14 | lb | 3941 | 3856 | 2283 |
| +12 | lb | 4334 | 4245 | 2382 |
| +10 | lb | 3829 | 3763 | 2123 |
| +8 | lb | 3884 | 3812 | 2161 |
| +6 | lb | 4667 | 4582 | 2541 |
| +4 | lb | - | - | 2653 |
| +2 | lb | - | - | 2924 |
| Ground level | lb | - | - | - |

LOADER ATTACHMENTS – 6 in I Bucket Fork Dimensions



| | | | 6-in-I bucket mounted forks |
|---|-----------------------------|-----------|------------------------------------|
| W | Forks – tine length | ft-in (m) | 3-7 (1.1) |
| | Forks – tine length | ft-in (m) | 0-3.1 (0.08) |
| X | Forks reach at ground level | ft-in (m) | 8-9 (2.66) |
| Y | Forks reach at full height | ft-in (m) | 7-5 (2.25) |
| Z | Forks lift height – max | ft-in (m) | 9-7 (2.92) |
| | Fork spacing – min/max 10" | | 10" (260 mm) to 68" (1725 mm) |

LOADER ATTACHMENTS – Direct Mount

| | | |
|---------------------------------------|---------|------------|
| HD bucket – 88"., 1.0 yd ³ | lb (kg) | 1697 (770) |
| 6-in-I, 92". | lb (kg) | 1940 (880) |

BACKHOE ATTACHMENTS – Buckets

| | | | | | | | |
|---|--------------|------------|------------|------------|-------------|------------|-------------|
| Bucket width | in (mm) | 12 (305) | 18 (455) | 24 (610) | 24 (610) | 30 (760) | 36 (910) |
| Number of teeth | | 3 | 4 | 4 | 5 | 5 | 6 |
| Heavy-duty trenching buckets | | | 18 | 24 | 24 | 30 | 36 |
| Capacity | cu ft (cu m) | 2.8 (0.08) | 4.9 (0.14) | 7.1 (0.20) | 7.1 (0.20) | 9.2 (0.26) | 11.3 (0.32) |
| Weight | lb (kg) | 293 (100) | 359 (128) | 408 (145) | 419 (190) | 478 (166) | 544 (189) |
| Heavy-duty high capacity trenching buckets | | | 4 | 4 | 5 | 5 (14.1) | 6 (-) |
| Capacity | cu ft (cu m) | 5.3 (0.15) | 8.5 (0.24) | 8.5 (0.24) | 11.3 (0.32) | 14.1 | - |
| Weight | lb (kg) | 430 (195) | 509 (231) | 514 (233) | 588 (267) | 668 (303) | - |

See your JCB Dealer for availability of other backhoe buckets and attachments.

All JCB buckets include heavy-duty features consisting of a 1"x18" cutting edge, back straps, box section cross member, and full length, chamfered side cutters.

BACKHOE ATTACHMENTS – Hydraulic Breakers

| | | | |
|--------------------|----------------|---------------------|---------------------|
| Breaker model | mm | HM380 | HM386Q |
| Operating weight | lb (kg) | 727 (330) | 794 (360) |
| Impact energy | ft/lb (joules) | 723 (981) | 443 (600) |
| Impact frequency | bpm | 380-900 | 720-1380 |
| Oil flow range | gpm (lpm) | 9-17 (40-80) | 16-26 (60-100) |
| Operating pressure | bar (psi) | 1740-2393 (120-165) | 100-150 (1450-2175) |
| Tool diameter | in (mm) | 3 (75) | 3.1 (80) |

A wide variety of tools are available for JCB breakers. See your JCB Dealer for details.

BACKHOE ATTACHMENTS – Patch Planer

| | | |
|--------------------------|-----------|---------------------|
| Cutting width | in (mm) | 15.7 (400) |
| Cutting length | in (mm) | 1.04-4.5 (1-115) |
| Weight | lb (kg) | 1190 (540) |
| Hydraulic flow range | gpm (lpm) | 24-53 (90-200) |
| Hydraulic pressure range | bar (psi) | 140-210 (2030-3046) |

BACKHOE ATTACHMENTS – Compactor

| | | |
|----------------------------|-----------|------------|
| Weight | lb (kg) | 395 (179) |
| Width | in (mm) | 12 (305) |
| Length | in (mm) | 29 (739) |
| Optimum machine down force | lb (kg) | 1543 (700) |
| Centrifugal force | kN | 16.3 |
| Frequency | Hz | 33 |
| Oil flow | gpm (lpm) | 6 (24) |





A FEW WORDS ABOUT JCB.



Lord Bamford, the son of Mr. JCB, still runs the company today.

A family company on a global scale

JCB is no ordinary company. From the dreams of one man, Joseph Cyril Bamford, we have grown into the world's largest privately owned construction equipment company by volume. Since 1945, the same attention to detail, passion for progress and family spirit has taken us from strength to strength. Nowadays, JCB operates across all five continents, manufacturing at 22 factories in the UK, Brazil, Germany, China, North America and India. With 1,500 dealerships and depots selling and supporting our products in over 150 countries, we are one of the top three manufacturers of construction equipment with some of the finest engineering facilities in the world.

A history of world-class innovation

Our business has always been driven by innovation, using only the most advanced technology, components and processes, meticulous design and rigorous testing. Evidence of this doesn't come much more powerful than our revolutionary JCB Dieselmox engine. Having grabbed the headlines when it smashed the world land speed record at 350.092mph, it is now providing our customers with tomorrow's performance today.

Sustainability in all we do

As a manufacturer of working machinery, operating in both established and emerging markets, we accept the challenge of helping to deliver economic

and environmental sustainability. Product innovations that provide the right solutions to our customers have been a vital part of our history and will be key to our sustainable future. But in addition to developing cleaner and more efficient machines, we have a commitment to ensuring our manufacturing facilities meet the highest environmental standards.

A commitment to our customers that goes on

That's a fact we remind ourselves of constantly, and it's the reason our customers are at the heart of everything we do. Whatever a customer needs, we make it our mission to provide world-class support and 100% satisfaction. At the heart of this is a dedication to minimizing machine downtime. So our state-of-the-art World Parts Center dispatches more than a million genuine parts and attachments every week, with an 'Anywhere in 24 hours' strategy. Our JCB-trained technicians provide excellent, expert customer care, whether it's routine servicing or something more urgent.



Almost 1 out of every 2 backhoe loaders sold in the world is a JCB.

1940's



Joseph Cyril Bamford builds his first two-wheeled tipping trailer using a war-surplus Jeep axle and wheels in this rented garage in the United Kingdom.

1950's



JCB continues to expand its product line and moves its factory to larger quarters. By inventing the first backhoe loader, JCB revolutionizes the construction industry by giving contractors access to simple, powerful earthmovers.

1960's



JCB expands its factory, virtually doubling production capabilities. The company launches the forerunner of today's Jet Visit Program, acquiring an airplane and flying in customers for factory tours.

1970's



As demand for JCB products soars, the company exports its machines to Germany, Holland, Italy, Spain and Canada. JCB's Loadall Telescopic Handler revolutionizes the building industry by enabling bricks to be lifted on pallets.

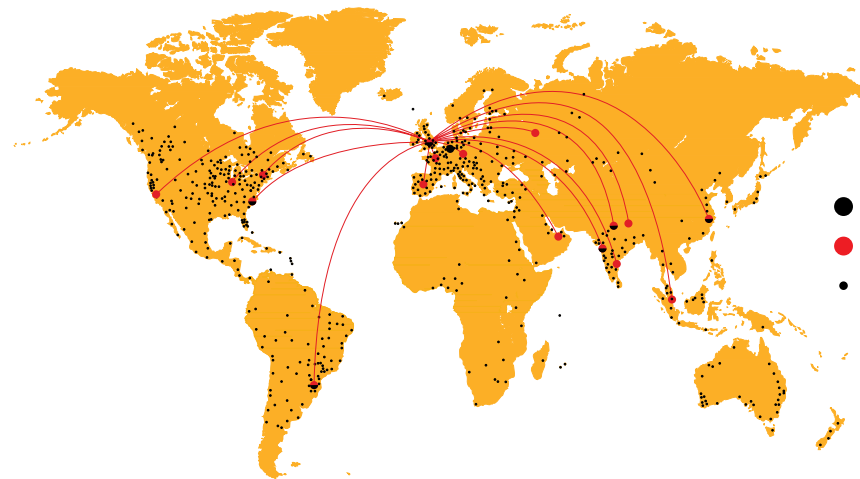


Built in 2000, the JCB North American Headquarters in Savannah, Georgia supports all United States and Canadian dealers and manufactures 18 skid steer and compact track loader models.

JCB in North America

JCB has been in North America for over 40 years, but made a huge commitment to the market in 2000, when the North American business and manufacturing center was built in Savannah, Georgia. From this 500,000 square foot facility, JCB supports over 120 dealers in the United States and Canada, providing parts, training and expertise. The Savannah manufacturing floor produces 18 skid steer and compact track loader models.

From Savannah, we are also proud to manufacture the High Mobility Engineer Excavator (HMEE), a high-speed, fully armored backhoe loader currently in use by the U.S. Army.



- Manufacturing Facilities
- Parts Distribution Centers
- Dealers

To find out more about the full range of JCB construction equipment, and to find the dealer nearest you, please visit www.jcb.com.



Built in Savannah, the fully armored JCB High Mobility Engineer Excavator (HMEE) is the world's toughest backhoe.

5 YEAR WARRANTY

Protection comes standard

- Industry's best standard 5-year warranty
- Transferrable from owner to owner driving higher residual values
- Bucket to bucket coverage for 5-years or 5,000 hours.

JCB is committed to the best product support in the industry. The industry-exclusive 5-year standard warranty on the 3CX can be serviced by any authorized JCB dealership.



1980's



JCB expands its product range to wheeled and tracked excavators. The company develops the first – and still the only – true, high-speed tractor, the Fastrac. JCB launches its telescopic handler in the U.S.

1990's



The revolutionary monoboom skid steer is introduced to the compact range of equipment, quickly heralded as safe because of its unique side-door entry.

2000's



JCB builds its North American headquarters near Savannah. The JCB DieselMax engine breaks the land speed record. The company begins manufacturing its own diesel engines. The U.S. Army contracts 800 HMEES, to be built in Savannah.

Tomorrow

JCB's commitment to be 'Never Content' will remain. We will continue to develop innovative machines that will better help our customers get the job done. Our family of dealers will continue to grow, ensuring you world-class service and support no matter where you operate your JCB.



ONE COMPANY, OVER 300 MACHINES.

Your nearest JCB Dealer

JCB North American – Headquarters

2000 Bamford Blvd., Savannah, Georgia, 31322 Tel: (912) 447-2000

Download the very latest information on this product range at www.jcb.com

JCB inc. All rights reserved. No part of this publication may be reproduced, stored in a retrieval system, or transmitted in any form or by any other means, electronic, mechanical, photocopying or otherwise, without prior permission from JCB inc. All references in this publication to operating weights, sizes, capacities and other performance measurements are provided for guidance only and may vary dependant upon the exact specification of machine. They should not therefore be relied upon in relation to suitability for a particular application. Guidance and advice should always be sought from your JCB Dealer. JCB reserves the right to change specifications without notice. Illustrations and specifications shown may include optional equipment and accessories. The JCB logo is a registered trademark of J C Bamford Excavators Ltd.

DWUSA 4369 10/16

 /JCB
  /JCBNA
  /JCBNORTHAMERICA

