

WALKIE COUNTERBALANCED STACKER

MODELS RCS 20/30/40

Raymond® Walkie Counterbalanced Models RCS 20/30/40. Versatile, efficient, reliable. Whether you are working in trailers, boxcars or racks, you can count on the *Raymond* RCS for all of your dock-to-stock needs. Easy-to-operate ergonomic controls and programmable speeds allow your operators to move more pallets per hour. Transistorized controls and large load wheels help you navigate dock plates with ease, providing a smoother ride with more efficient operation. Heavy duty construction and on-board diagnostics make the *Raymond* RCS easy to maintain and economical to own.

RCS20/30/40 Standard Equipment:

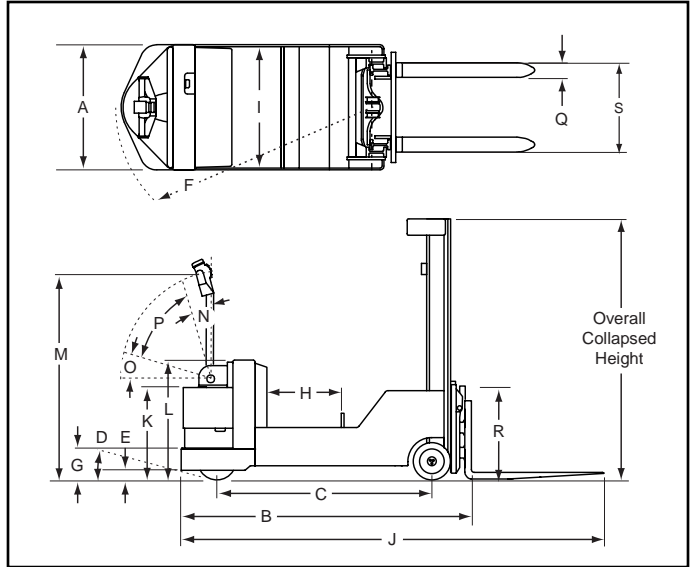
- › 2000, 3000 and 4000 pound maximum capacity
- › Two and three stage masts with fork heights up to 189"
- › Load sensing torsion bar suspension for easier steering
- › Separately excited traction system for smooth acceleration
- › Thumb wheel control
- › Key switch
- › Horn
- › Handle mounted electric lift/lower for easy access
- › Chassis mounted manual lift/lower for precise control
- › Tilt mast
- › 48" high load backrest
- › Hour meter



RAYMOND
Above. And beyond.®

WALKIE COUNTERBALANCED MODELS 20/30/40

MAST SPECIFICATIONS				
Model	Lift Height (in.)	Overall Collapsed Height (in.)	Free Lift (in.)	Capacity (lbs.)
RCS20 2-stage Limited Free Lift	104	71	12	2000
	128	83	12	2000
	152	95	12	2000
RCS20 2-stage Full Free Lift	104	71	52	2000
	128	83	64	2000
	152	95	76	2000
RCS20 3-stage Full Free Lift	150	71	53	2000
	180	83	65	1500
	189	87	69	1200
RCS30 2-stage Limited Free Lift	104	71	12	3000
	128	83	12	3000
	152	95	12	3000
RCS30 2-stage Full Free Lift	104	71	52	3000
	128	83	64	3000
	152	95	76	3000
RCS30 3-stage Full Free Lift	150	71	53	3000
	180	83	65	2100
	189	87	69	1900
RCS40 2-stage Limited Free Lift	100	71	6	4000
	124	83	6	4000
	150	95	6	4000
RSS40 3-stage Full Free Lift	150	71	53	4000
	180	83	65	3200
	189	87	69	3000



PERFORMANCE SPECIFICATIONS				
		RCS20	RCS30	RCS40
Truck Weight, less battery	lbs.	3600	4600	5800
Battery Connector		SB-175 red		
Battery Lead Position/Length	in.	B/20		
Battery Voltage	V	24		
Minimum Battery Weight	lbs.	950		
Travel Speed empty/loaded	mph	3.2/2.9	3.4/3.0	3.3/2.8
Lift Speed empty/loaded	fpm	49/37	49/32	49/27
Lowering Speed empty/loaded	fpm	44/60	42/60	42/60

AISLE WIDTH REQUIRED FOR RIGHT ANGLE STACKING						
Load Width (in.)	RCS20	RCS20	RCS30	RCS30	RCS40	RCS40
	Load Length (in.)					
	42	48	42	48	42	48
30	105	111	110	116	117	123
36	105	111	110	116	116	123
40	104	111	110	116	116	122
42	104	110	109	116	116	122
48	104	110	109	115	116	122

Aisle width requirements based on 6" clearance between pallets. Add 6-12" for ease of operation. Add 2.5" when equipped with sideshift.

DIMENSION CHART				
		RCS20	RCS30	RCS40
Capacity	lbs.	2000	3000	4000
Tilt (Backward/Forward)	deg.	8/3		
A Tractor Width	in.	34.1		
B Tractor Head Length	in.	64.8	70.1	76.6
C Wheelbase	in.	47	52.3	58.6
D Grade Clearance	%	10		
E Underclearance: Tractor	in.	2.1		
F Turning Radius	in.	56.7	62.0	68.3
G Battery Floor Height w/optional rollers*	in.	9.5		
H Battery Compartment Width	in.	13.3		
I Battery Compartment Length	in.	32.3		
J Overall Length ++	in.	106.8	112.1	118.6
K Tractor Height at Handle	in.	25.25		
L Tractor Height at Battery	in.	32.25		
M Handle Height Retracted	in.	55.6		
N Top Vertical Braking Arc	deg.	12.5		
O Bottom Braking Arc	deg.	10.5		
P Handle Operating Arc	deg.	67		
Q Forks	in.	1.5 x 4	1.5 x 4	1.75 x 4
R Load Backrest (height)	in.	48		
S Fork Adjustment	in.	8.5-30		
Drive Tire	in.	10.5 x 5 rubber		
Load Wheels	in.	10 x 4 polyurethane		

* RCS 10 battery compartment is not available with rollers; battery must be placed in or removed from compartment using and overhead lift or crane.
++ With 42" forks.

Due to continuous product improvement, specifications are subject to change without notice or obligation. Some systems and features shown are optional at extra cost. Raymond and Above. And beyond. are U.S. trademarks of The Raymond Corporation.

©2012 The Raymond Corporation
PO Box 130, Greene, NY 13778-0130
www.raymondcorp.com | Toll free 1-800-235-7200
SIFB-0088 0812VP-2.5

RAYMOND
Above. And beyond.®