

JS-L12
JS-M8 & JS-M12
JS-H8 & JS-H12

Capacities 18,500 - 26,500 lbs



Axle Stands

Stertil-Koni axle stands are designed to be used to support raised trucks and buses to facilitate maintenance procedures. They are available in 5 models. They are available in various heights; low, mid and high with a capacity ranging from 18,500 - 26,500 lbs each. The mid and high range models are foldable and can easily be positioned over a mobile column base frame.

- A fine adjustment option is available on all the axle stand models
- All of Stertil-Koni's axle stands comply to the stringent ASME/PASE 2014 standard

- The axle stands are thoroughly tested with a static load based on 200% of the rated capacity
- Testing has been performed asymmetrically equal to rated capacity
- Spring loaded wheels, for easy positioning of the stand*
- Spring loaded support tube for ultimate safety*

*Standard available with delivery on JS-M and JS-H models

Specifications

Model: JS-L12

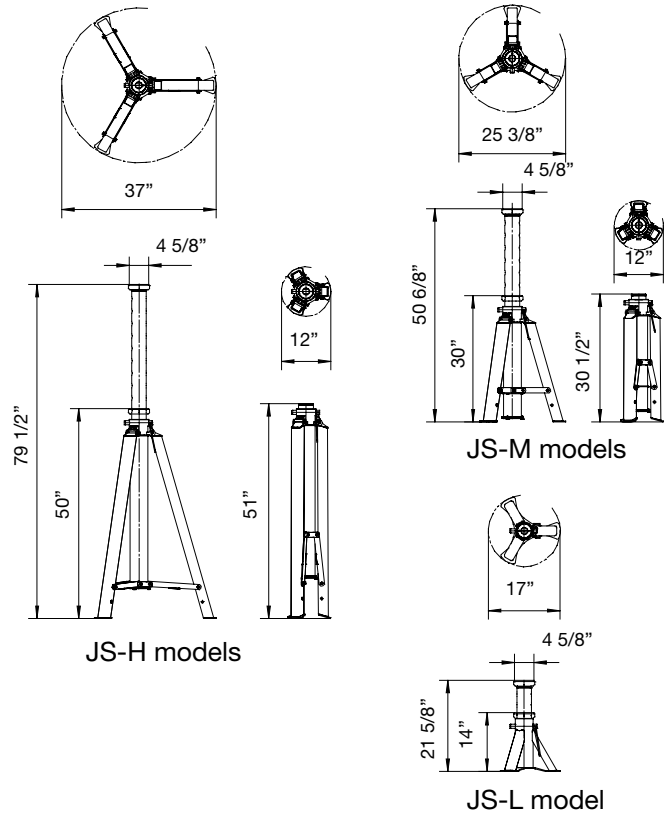
Type: fixed axle stand
 Capacity: 26,500 lbs
 Height: 14" min. – 21 5/8" max.
 Adjustable: 7 5/8", 3 positions / 4 pin stops
 Weight: 40.7 lbs each

Models: JS-M8 & JS-M12

Type: foldable axle stand
 Capacity: 18,500 lbs & 26,500 lbs
 Height: 30" min. – 50 6/8" max.
 Adjustable: 20 6/8", 7 positions / 8 pin stops
 Weight: 82.5 lbs, 101.2 lbs each

Models: JS-H8 & JS-H12

Type: foldable axle stand
 Capacity: 18,500 lbs & 26,500 lbs
 Height: 50" min. – 79 1/2" max.
 Adjustable: 29 1/2", 10 positions / 11 pin stops
 Weight: 125.4 lbs, 158.4 lbs each



Model	Capacity (lbs)	Weight (lbs)
JS-L12	26,500	40.7
JS-M8	18,500	82.5
JS-M12	26,500	101.2
JS-H8	18,500	125.4
JS-H12	26,500	158.4

Options

- U-shape adaptor
- V-shape adaptor
- Fine adjustment (3" max.)
- Storage bracket for safe, easy, and space saving storage of the axle stand*

*only available for JS-M and JS-H models



a member of the Stertil Group

Stertil-Koni U.S.A. Inc.
 200 Log Canoe Circle
 Stevensville, Maryland 21666
 Tel. 410-643-9001
 Toll free 800-336-6637
 Fax 410-643-8901
 lifts@stertil-koni.com

