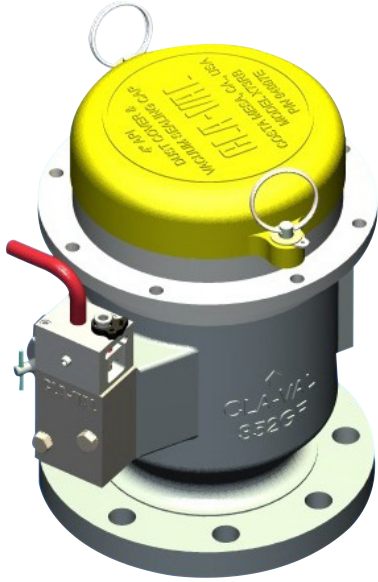




— MODEL — **352GF**
Hydrant Pit Valve



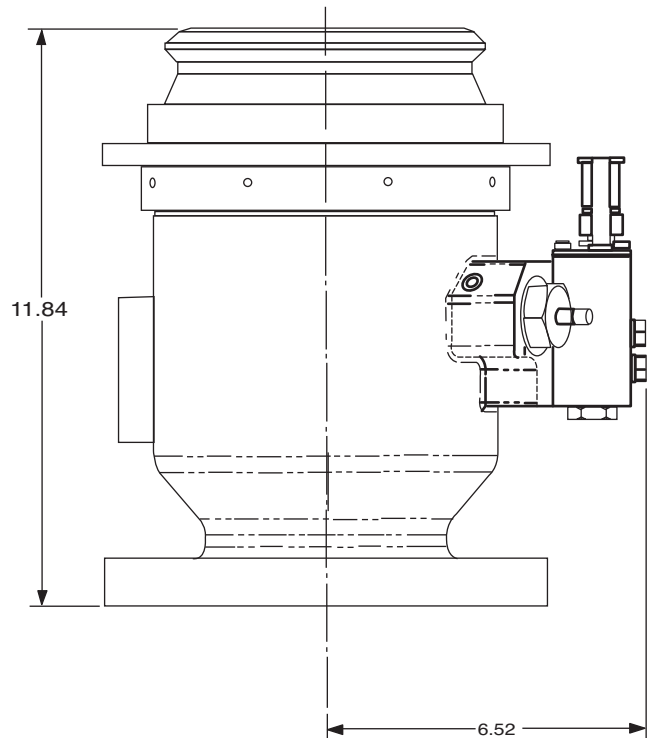
- Complies with EI Specification 1584 Third Edition
- Pneumatic or Manual Deadman operated
- Optional Emergency Air Release Lanyard for the Pneumatic Deadman Version
- Optional Excess Flow Shut-off for Both the Pneumatic and Manual Deadman Versions
- Body of Ductile Iron and Stainless Steel – No Aluminum
- Operating Temperature: -40 to + 140 F
- Fits Within 13 Inch Diameter Pits
- Three Year Warranty

The Model 352GF Hydrant Pit Valve is a piston style, Deadman operated on / off valve designed for use in aircraft refueling hydrant systems. The Model 352GF Hydrant Pit Valve can be ordered with either a Manual Deadman Pilot or a Pneumatic Deadman Pilot. When fitted with a Pneumatic Pilot, an optional Emergency Air Release Lanyard Manual override can be added to provide a way to close the Pit Valve even with Deadman air pressure actively applied.

The outlet of the Model 352GF Hydrant Pit Valve can be connected to by any 4 inch API hydrant pit coupler, such as the Cla-Val Model 351GF-15 Hydrant Coupler and 353GF Pressure Control Coupler. It complies with the requirements of EI Specification 1584 Third Edition. The upper API Body of the Model 352GF Hydrant Pit Valve is made of hardened Stainless Steel. The lower body is made of Ductile Iron. Aluminum is not used for these critical pressure containing components.

It incorporates a servicing valve which allows for the removal of the pilot for service without the need to de-pressurize the delivery system. The Model 352GF Hydrant Pit Valve is small enough to fit into a 13 inch pit box with the use of an offset adapter plate.

Dimensions (inches)





— MODEL — **352GF**

Hydrant Pit Valve

Materials Specification

Body Material
API Adapter
Pilot Valve
Seals
Poppet
Piston
Dust Cap
Corrosion Protection

Ductile Iron ASTM A536 65-45-12
Stainless Steel (Grade 410 - hardened to Brinnell 345/365)
Aluminum
Nitrile and Fluorocarbon
Hard Anodized Aluminum
Stainless Steel
Polyurethane Company
Electroless Nickel-Plated to MIL-C-26047 (4 to 6mm penetration)

Warranty: Three Years



Ordering Information

Option letters and numbers may be combined with the basic unit, except as noted, to customize the valve to fit specific installation requirements.

Option	Description
4	Pit Valve 4" Inlet ANSI 150
6	Pit Valve 6" Inlet ANSI 150
A	Air Pilot
D	Air Pilot with Defuel
F	Fusible Plug Assembly
M	Manual Pilot
O	Air Release
R	Adapter Assembly 4" X 6"
S4	Stone Guard 4" with Snap Ring
S6	Stone Guard" with Snap Ring
I	20 Mesh Strainer 4" and 6"

Ordering Example

Model # 352GF-4AOS4

Standard pit valve with 4" inlet flange ANSI 150 with pneumatic operated pilot valve and lanyard override s/w stone guard on inlet

