

L-SERIES
COMPACT LOADERS



JOHN DEERE

204L / 304L



**LOW PROFILE,
HIGH ABILITY**

THE
L-SERIES



+



VERSATILE PRODUCTIVE

LOW OVERHEAD

IN MORE WAYS THAN ONE.

Low-profile machines that keep costs down, too

With L-Series Loaders, low overhead also applies to maintenance. We provide extended service intervals for engine oil/filter, final drive oil, and hydraulic oil.

Simple to service

Easy-access vertical filters and environmental drains make fluid changes quick and clean. Convenient maintenance and lube chart helps confirm that nothing gets overlooked.

We've got your back

Should parts or service be required, they're readily available at more than 1,400 John Deere dealer locations from coast to coast.





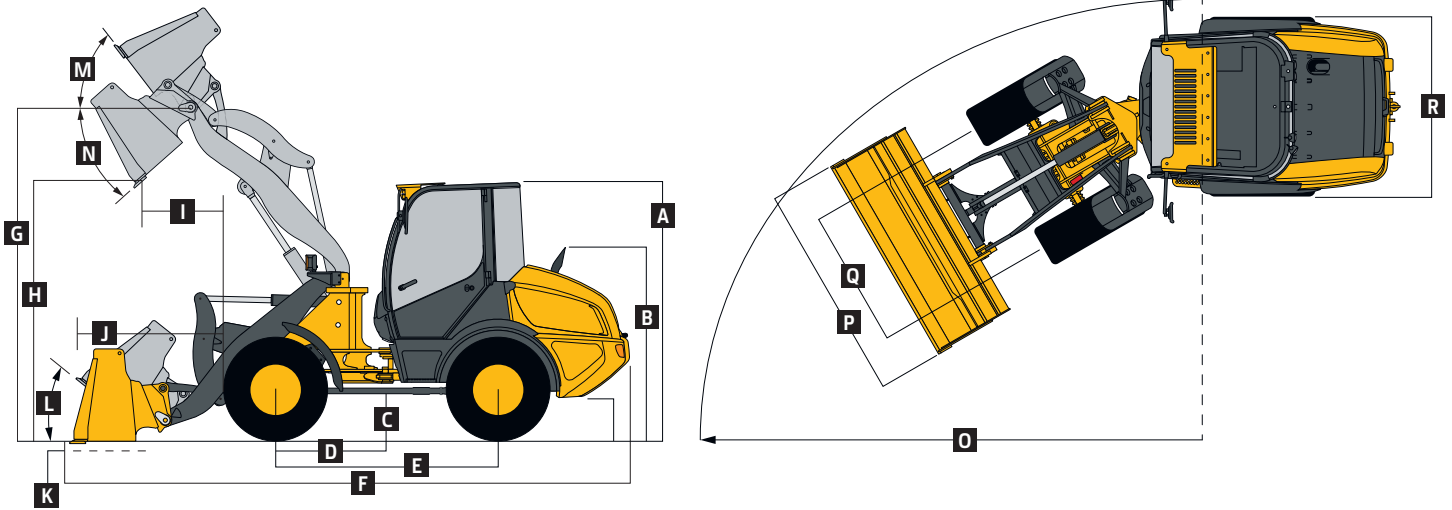
204L SPECIFICATIONS

| | | |
|--|--|-------------|
| Engine | | 204L |
| Manufacturer and Model | Yanmar 4TNV98 | |
| Non-Road Emission Standard | EPA Final Tier 4 (FT4) | |
| Cylinders | 4 | |
| Valves per Cylinder | 4 | |
| Displacement | 3.3 L (203 cu. in.) | |
| Net Peak Power at 2,200 rpm (ISO 9249 and SAE J1349) | 45 kW (61 hp) | |
| Gross Rated Power at 2,200 rpm (ISO 14396) | 48 kW (63 hp) | |
| Peak Torque at 1,200 rpm (ISO 9249 and SAE J1349) | 239 Nm (176 lb.-ft.) | |
| Engine Bore and Stroke | 98 x 110 mm (3.89 x 4.33 in.) | |
| Lubrication | Pressure system with full-flow spin-on filter | |
| Fuel System | High-pressure common rail | |
| Aspiration | Naturally aspirated | |
| Air Cleaner | Dual safety element dry type | |
| Cooling | | |
| Fan | Direct driven | |
| Engine Coolant Rating | -37 deg. C (-34 deg. F) | |
| Powertrain | | |
| Type | Hydrostatic (HST) with infinitely variable speed control over full range of operating speeds; 2 speed ranges; joystick-mounted F-N-R; acceleration pedal; HST inching pedal, which allows infinitely reduced travel speeds while maintaining full engine rpm and hydraulic flow | |
| 2 Travel Speeds in Forward and Reverse (equipped with 365/70R18 tires) | | |
| Gear 1 | 6.0 km/h (3.7 mph) | |
| Gear 2 | 20.0 km/h (12.0 mph) | |
| Axes | Rigid-mount front and rear axles with 10-deg. frame oscillation | |
| Rear Axle Oscillation Versus Front Axle | 20 deg. total, stop to stop | |
| Differentials | 45% locking front and rear differentials | |
| Maximum Rise and Fall, Single Wheel | 254 mm (10 in.) | |
| Steering | Hydraulic power steering (SAE J1511); 40-deg. articulation left and right | |
| Steering Wheel Turns, Stop to Stop | 3.5 left to 4.5 right | |
| Articulation Angle | 80-deg. arc (40 deg. each direction) | |
| Final Drive | Heavy-duty outboard planetary | |
| Brakes (SAE J1473 and ISO 3450) | | |
| Service Brakes | Hydraulically actuated, self-adjusting internal wet-disc brake and driveline drum brake | |
| Parking Brake | Automatically spring-applied, hydraulically released, internal wet disc | |
| Hydraulics | | |
| Main Pump (loader and steering) | Fixed-displacement gear pump; open-center system | |
| Maximum Rated Flow at 6895 kPa (1,000 psi) and 2,200 rpm | 70 L/m (18 gpm) | |
| System Relief Pressure | | |
| Loader | 23 000 kPa (3,335 psi) | |
| Steering | 18 002 kPa (2,611 psi) | |
| Hydraulic Cycle Time | | |
| Raise | 5.6 sec. | |
| Dump | 1.5 sec. | |
| Lower (float down) | 4.7 sec. | |
| Lower (power down) | 4.3 sec. | |
| Total | 11.4 sec. | |
| Controls | 3-function valve with single-lever control for boom and bucket, with hydraulic lockout feature; joystick-mounted push-button electrohydraulic (EH) control for auxiliary hydraulics, with hydraulic lockout feature; ride control electrically actuated for improved ride quality (factory and field option) | |
| Cylinders | | |
| Type | Heat-treated, chrome-plated, polished cylinder rods; hardened steel (replaceable bushings) pivot pins | |

204L SPECIFICATIONS



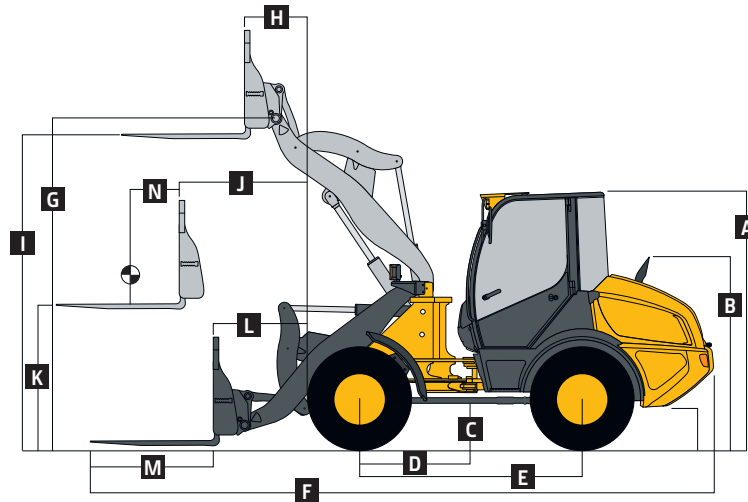
| Electrical | | 204L | |
|---|---|-------------------------|---------------------------|
| Type | Electrical load center with blade-type multi-fused circuits | | |
| Voltage | 12 volt | | |
| Number of Batteries | 1 | | |
| Battery Capacity | 850 CCA | | |
| Reserve Capacity | 80 min. | | |
| Alternator Rating | 80 amp | | |
| Lights (SAE 99) | Driving/front working lights (2), rear working lights (2), turn signals, flashers, and stop- and taillights | | |
| Operator's Station | | | |
| Noise Level | | | |
| Operator Ear | 78 dba | | |
| Bystander | 101 dba | | |
| Tires/Wheels | | | |
| Tires on Single-Piece Rims | Tread Width* | Width Over Tires† | Change in Vertical Height |
| 365/70R18 Mitas EM-01 (standard) | 1397 mm (4 ft. 7 in.) | 1760 mm (5 ft. 9 in.) | — |
| 400/70R20 Michelin XMCL (optional) | 1376 mm (4 ft. 6 in.) | 1790 mm (5 ft. 10 in.) | +30 mm (+1.2 in.) |
| 405/70R18 Firestone Duraforce (optional) | 1427 mm (4 ft. 8 in.) | 1790 mm (5 ft. 10 in.) | +9 mm (+0.3 in.) |
| *Also see Q in Dimensions section on pages 14 and 16. / †Also see R in Dimensions section on pages 14 and 16. | | | |
| Serviceability | | | |
| Refill Capacities | | | |
| Cooling System (engine and radiator) | 12.0 L (12.7 qt.) | | |
| Differential and Planetary Axle | | | |
| Front | 6.0 L (6.4 qt.) | | |
| Rear | 6.0 L (6.4 qt.) | | |
| Engine Oil with Filter | 10.0 L (10.8 qt.) | | |
| Fuel Tank | 50.0 L (13.2 gal.) | | |
| Hydraulic/HST Reservoir with Filter | 90.0 L (23.8 gal.) | | |
| HST Motor Gearbox | 1.0 L (1.1 qt.) | | |
| Operating Weights | | | |
| With standard equipment, 365/70R18 tires, standard counterweight, 79-kg (175 lb.) operator, and full fuel tank | | | |
| | <i>With Enclosed Cab</i> | <i>With Canopy ROPS</i> | |
| Quik-Tatch™ Quick-Coupler | | | |
| With 0.8-m ³ (1.0 cu. yd.) Stockpiling/General-Purpose Bucket with Bolt-On Edge | 5355 kg (11,806 lb.) | 5235 kg (11,541 lb.) | |
| With 1.1-m ³ (1.4 cu. yd.) Stockpiling/General-Purpose Bucket with Bolt-On Edge | 5465 kg (12,048 lb.) | 5345 kg (11,784 lb.) | |
| With Fork | 5282 kg (11,645 lb.) | 5162 kg (11,380 lb.) | |
| ISO Quick-Coupler | | | |
| With 0.8-m ³ (1.0 cu. yd.) Stockpiling/General-Purpose Bucket with Bolt-On Edge | 5150 kg (11,354 lb.) | 5030 kg (11,089 lb.) | |
| With 1.1-m ³ (1.4 cu. yd.) Stockpiling/General-Purpose Bucket with Bolt-On Edge | 5249 kg (11,572 lb.) | 5129 kg (11,307 lb.) | |
| With Fork | 5050 kg (11,133 lb.) | 4930 kg (10,869 lb.) | |
| Optional Components | | | |
| Quik-Tatch Quick-Coupler | | | |
| With 0.8-m ³ (1.0 cu. yd.) Stockpiling/General-Purpose Bucket with Bolt-On Edge | 535 kg (1,179 lb.) | 535 kg (1,179 lb.) | |
| With 1.1-m ³ (1.4 cu. yd.) Stockpiling/General-Purpose Bucket with Bolt-On Edge | 645 kg (1,421 lb.) | 645 kg (1,421 lb.) | |
| With Fork Frame and Forks (Class 3B) | 336 kg (741 lb.) | 336 kg (741 lb.) | |
| ISO Quick-Coupler | | | |
| With 0.8-m ³ (1.0 cu. yd.) Stockpiling/General-Purpose Bucket with Bolt-On Edge | 330 kg (728 lb.) | 330 kg (728 lb.) | |
| With 1.1-m ³ (1.4 cu. yd.) Stockpiling/General-Purpose Bucket with Bolt-On Edge | 429 kg (946 lb.) | 429 kg (946 lb.) | |
| With Fork Frame and Forks (Class 2) | 240 kg (529 lb.) | 240 kg (529 lb.) | |



204L LOADER WITH QUIK-TATCH COUPLER AND BUCKET

| Dimensions with Quik-Tatch Coupler and Bucket | <i>0.8-m³ (1.0 cu. yd.) stockpiling/ general purpose with bolt-on edge</i> | <i>1.1-m³ (1.4 cu. yd.) stockpiling/ general purpose with bolt-on edge</i> |
|--|---|---|
| A Height to Top of Cab | 2.45 m (7 ft. 11 in.) | 2.45 m (7 ft. 11 in.) |
| B Height to Top of Exhaust | 1.80 m (5 ft. 11 in.) | 1.80 m (5 ft. 11 in.) |
| C Ground Clearance | 318 mm (12.5 in.) | 318 mm (12.5 in.) |
| D Length from Centerline to Front Axle | 1067 mm (3 ft. 6 in.) | 1067 mm (3 ft. 6 in.) |
| E Wheelbase | 2.15 m (7 ft. 1 in.) | 2.15 m (7 ft. 1 in.) |
| F Overall Length, Bucket on Ground | 5.42 m (17 ft. 10 in.) | 5.46 m (17 ft. 11 in.) |
| G Height to Hinge Pin, Fully Raised | 3.18 m (10 ft. 5 in.) | 3.18 m (10 ft. 5 in.) |
| H Dump Clearance, 40-deg. Full Height | 2.43 m (8 ft. 0 in.) | 2.38 m (7 ft. 9 in.) |
| I Reach, 40-deg. Dump, Full Height | 920 mm (3 ft. 0 in.) | 968 mm (3 ft. 2 in.) |
| J Reach, 42-deg. Dump, 2.13-m (7 ft.) Clearance | 1.49 m (4 ft. 11 in.) | 1.54 m (3 ft. 11 in.) |
| K Maximum Digging Depth | 70 mm (2.8 in.) | 70 mm (2.8 in.) |
| L Maximum Rollback at Ground Level | 37 deg. | 37 deg. |
| M Maximum Rollback, Boom Fully Raised | 65 deg. | 65 deg. |
| N Maximum Bucket Dump Angle, Fully Raised | 40 deg. | 40 deg. |
| O Turning Circle Radius Over Outside of Bucket Edge | 4.23 m (13 ft. 11 in.) | 4.29 m (14 ft. 1 in.) |
| P Bucket Width | 1.90 m (6 ft. 3 in.) | 2.20 m (7 ft. 3 in.) |
| Q Tread Width (standard) ⁶ | 1397 mm (4 ft. 7 in.) | 1397 mm (4 ft. 7 in.) |
| R Width Over Tires (standard) ⁶ | 1760 mm (5 ft. 9 in.) | 1760 mm (5 ft. 9 in.) |
| ⁶ Also see <i>Tires/Wheels</i> section on page 13. | | |
| Specifications with Quik-Tatch Coupler and Bucket | | |
| Capacity, Heaped | 0.8 m ³ (1.0 cu. yd.) | 1.1 m ³ (1.4 cu. yd.) |
| Capacity, Struck | 0.66 m ³ (0.86 cu. yd.) | 0.90 m ³ (1.18 cu. yd.) |
| Breakout Force | 4170 kg (9,190 lb.) | 3770 kg (8,311 lb.) |
| Tipping Load, Straight | 3700 kg (8,157 lb.) | 3550 kg (7,826 lb.) |
| Tipping Load, 40-deg. Full Turn | 3280 kg (7,231 lb.) | 3130 kg (6,900 lb.) |
| Rated Operating Load, 50% of Full-Turn Tipping Load (conforms to ISO 14397-1)* | 1640 kg (3,616 lb.) | 1565 kg (3,450 lb.) |

*Rated operating capacity based on Deere attachments only.

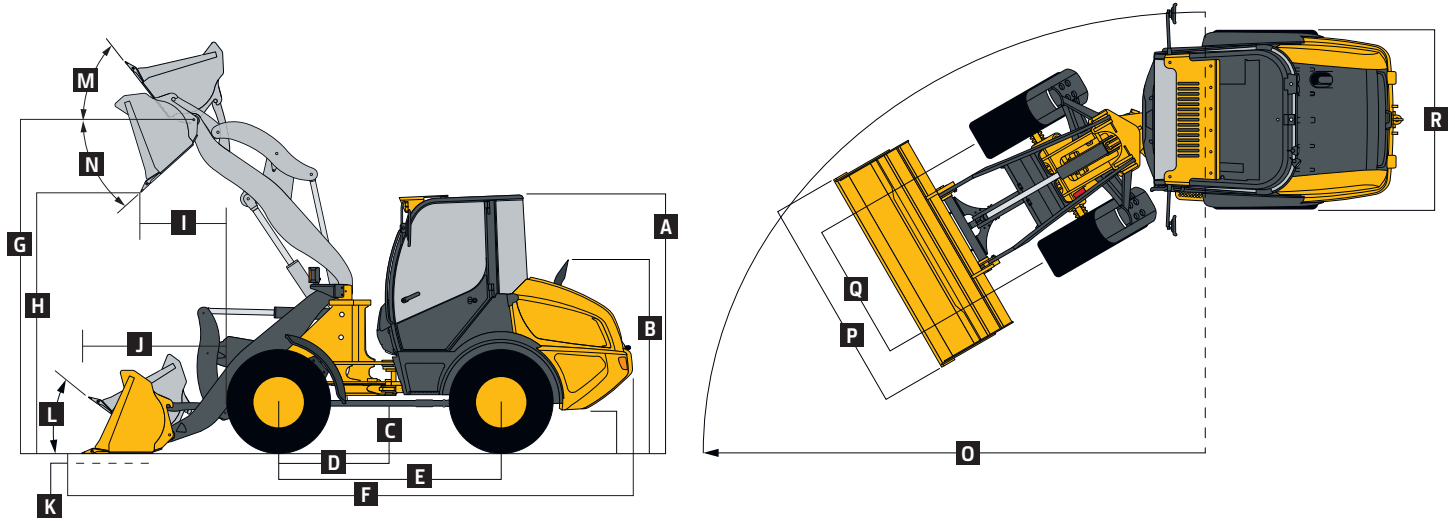


204L LOADER WITH QUIK-TATCH COUPLER AND FORK

| | |
|--|--|
| Dimensions with Quik-Tatch Coupler and Fork | <i>1.22-m (48 in.) tine length</i> |
| A Height to Top of Cab | 2.45 m (7 ft. 11 in.) |
| B Height to Top of Exhaust | 1.80 m (5 ft. 11 in.) |
| C Ground Clearance | 318 mm (12.5 in.) |
| D Length from Centerline to Front Axle | 1067 mm (3 ft. 6 in.) |
| E Wheelbase | 2.15 m (7 ft. 1 in.) |
| F Overall Length, Forks on Ground | 5.92 m (19 ft. 5 in.) |
| G Height to Hinge Pin, Fully Raised | 3.18 m (10 ft. 5 in.) |
| H Reach, Fully Raised | 450 mm (18 in.) |
| I Fork Height, Fully Raised | 3.00 m (9 ft. 10 in.) |
| J Maximum Reach, Fork Level | 1.22 m (4 ft. 0 in.) |
| K Fork Height, Maximum Reach | 1.37 m (4 ft. 6 in.) |
| L Reach, Ground Level | 780 mm (31 in.) |
| M Tine Length | 1.22 m (48 in.) |
| N Load Position, 50% Tine Length | 0.61 m (24 in.) |
| Specifications with Quik-Tatch Coupler and Fork | <i>As measured with fork level, centered on tine</i> |
| Tipping Load, Straight | 2930 kg (6,460 lb.) |
| Tipping Load, 40-deg. Full Turn | 2580 kg (5,688 lb.) |
| Rated Operating Load, 50% Full-Turn Tipping Load (conforms to ISO 14397-1 and SAE J1197)* | 1290 kg (2,844 lb.)† |
| Rated Operating Load, Rough Terrain, 60% Full-Turn Tipping Load (conforms to EN474-3)* | 1550 kg (3,417 lb.)† |
| Rated Operating Load, Firm and Level Ground, 80% Full-Turn Tipping Load (conforms to EN474-3)* | 1720 kg (3,792 lb.)† |

*Rated operating capacity based on Deere attachments only.

†Payload on forks is limited by tilt cylinder.



204L LOADER WITH ISO PARALLEL-PIN "EURO" COUPLER AND BUCKET

Dimensions with ISO Parallel-Pin "Euro" Coupler and Bucket

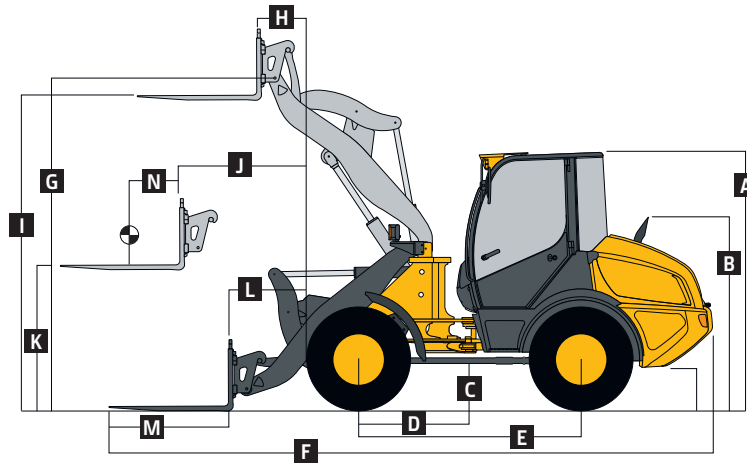
| | 0.8-m ³ (1.0 cu. yd.) hook-on stockpiling/general purpose with bolt-on edge | 1.1-m ³ (1.4 cu. yd.) hook-on stockpiling/general purpose with bolt-on edge |
|---|--|--|
| A Height to Top of Cab | 2.45 m (7 ft. 11 in.) | 2.45 m (7 ft. 11 in.) |
| B Height to Top of Exhaust | 1.80 m (5 ft. 11 in.) | 1.80 m (5 ft. 11 in.) |
| C Ground Clearance | 318 mm (12.5 in.) | 318 mm (12.5 in.) |
| D Length from Centerline to Front Axle | 1067 mm (3 ft. 6 in.) | 1067 mm (3 ft. 6 in.) |
| E Wheelbase | 2.15 m (7 ft. 1 in.) | 2.15 m (7 ft. 1 in.) |
| F Overall Length, Bucket on Ground | 5.42 m (17 ft. 10 in.) | 5.46 m (17 ft. 11 in.) |
| G Height to Hinge Pin, Fully Raised | 3.18 m (10 ft. 5 in.) | 3.18 m (10 ft. 5 in.) |
| H Dump Clearance, 40-deg. Full Height | 2.43 m (8 ft. 0 in.) | 2.38 m (7 ft. 9 in.) |
| I Reach, 40-deg. Dump, Full Height | 920 mm (3 ft. 0 in.) | 968 mm (3 ft. 2 in.) |
| J Reach, 42-deg. Dump, 2.13-m (7 ft.) Clearance | 1.49 m (4 ft. 11 in.) | 1.54 m (3 ft. 11 in.) |
| K Maximum Digging Depth | 70 mm (2.8 in.) | 70 mm (2.8 in.) |
| L Maximum Rollback at Ground Level | 37 deg. | 37 deg. |
| M Maximum Rollback, Boom Fully Raised | 65 deg. | 65 deg. |
| N Maximum Bucket Dump Angle, Fully Raised | 40 deg. | 40 deg. |
| O Turning Circle Radius Over Outside of Bucket Edge | 4.23 m (13 ft. 11 in.) | 4.30 m (14 ft. 1 in.) |
| P Bucket Width | 1.90 m (6 ft. 3 in.) | 2.20 m (7 ft. 3 in.) |
| Q Tread Width (standard) ⁶ | 1397 mm (4 ft. 7 in.) | 1397 mm (4 ft. 7 in.) |
| R Width Over Tires (standard) ⁶ | 1760 mm (5 ft. 9 in.) | 1760 mm (5 ft. 9 in.) |

⁶Also see **Tires/Wheels** section on page 13.

Specifications with ISO Parallel-Pin "Euro" Coupler and Bucket

| | | |
|--|------------------------------------|------------------------------------|
| Capacity, Heaped | 0.8 m ³ (1.0 cu. yd.) | 1.1 m ³ (1.4 cu. yd.) |
| Capacity, Struck | 0.66 m ³ (0.86 cu. yd.) | 0.90 m ³ (1.18 cu. yd.) |
| Breakout Force | 4690 kg (10,340 lb.) | 3770 kg (8,311 lb.) |
| Tipping Load, Straight | 3900 kg (8,598 lb.) | 3550 kg (7,826 lb.) |
| Tipping Load, 40-deg. Full Turn | 3450 kg (7,606 lb.) | 3130 kg (6,900 lb.) |
| Rated Operating Load, 50% of Full-Turn Tipping Load (conforms to ISO 14397-1)* | 1725 kg (3,803 lb.) | 1565 kg (3,450 lb.) |

*Rated operating capacity based on Deere attachments only.



204L LOADER WITH ISO PARALLEL-PIN "EURO" COUPLER AND FORK

Dimensions with ISO Parallel-Pin "Euro" Coupler and Fork

1.22-m (48 in.) tine length

| | | |
|---|--------------------------------------|-----------------------|
| A | Height to Top of Cab | 2.45 m (7 ft. 11 in.) |
| B | Height to Top of Exhaust | 1.80 m (5 ft. 11 in.) |
| C | Ground Clearance | 318 mm (12.5 in.) |
| D | Length from Centerline to Front Axle | 1067 mm (3 ft. 6 in.) |
| E | Wheelbase | 2.15 m (7 ft. 1 in.) |
| F | Overall Length, Forks on Ground | 5.90 m (19 ft. 4 in.) |
| G | Height to Hinge Pin, Fully Raised | 3.18 m (10 ft. 5 in.) |
| H | Reach, Fully Raised | 450 mm (18 in.) |
| I | Fork Height, Fully Raised | 3.00 m (9 ft. 10 in.) |
| J | Maximum Reach, Fork Level | 1.22 m (4 ft. 0 in.) |
| K | Fork Height, Maximum Reach | 1.37 m (4 ft. 6 in.) |
| L | Reach, Ground Level | 780 mm (31 in.) |
| M | Tine Length | 1.22 m (48 in.) |
| N | Load Position, 50% Tine Length | 0.61 m (24 in.) |

Specifications with ISO Parallel-Pin "Euro" Coupler and Fork

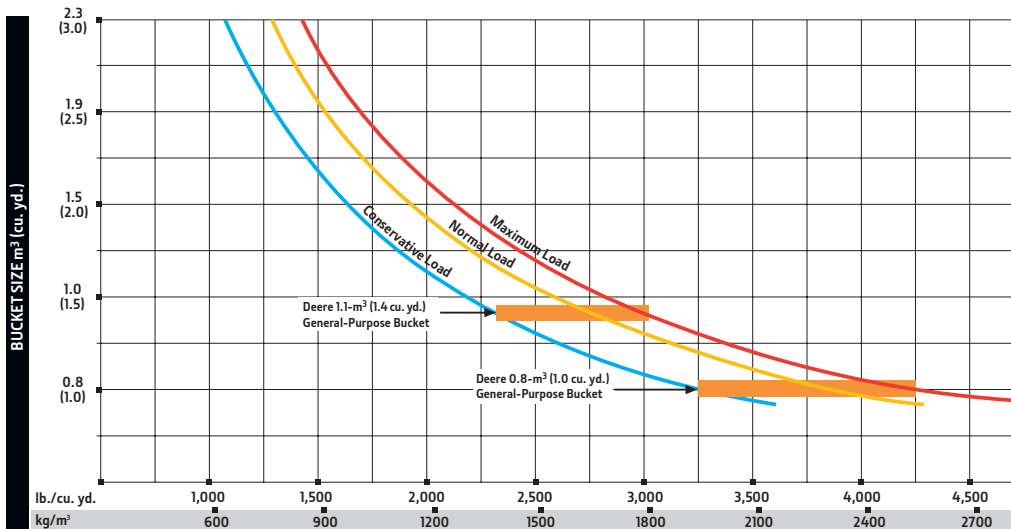
As measured with fork level, centered on tine

| | |
|--|----------------------|
| Tipping Load, Straight | 3200 kg (7,055 lb.) |
| Tipping Load, 40-deg. Full Turn | 2800 kg (6,173 lb.) |
| Rated Operating Load, 50% Full-Turn Tipping Load (conforms to ISO 14397-1 and SAE J1197)* | 1400 kg (3,086 lb.)† |
| Rated Operating Load, Rough Terrain, 60% Full-Turn Tipping Load (conforms to EN474-3)* | 1680 kg (3,704 lb.)† |
| Rated Operating Load, Firm and Level Ground, 80% Full-Turn Tipping Load (conforms to EN474-3)* | 2000 kg (4,409 lb.)† |

*Rated operating capacity based on Deere attachments only.

†Payload on forks is limited by tilt cylinder.

Bucket Selection Guide*



| LOOSE MATERIALS | kg/m³ | lb./cu. yd. |
|---|-------|-------------|
| Chips, pulpwood | 288 | 486 |
| Cinders (coal, ashes, clinkers) | 673 | 1,134 |
| Clay and gravel, dry | 1602 | 2,700 |
| Clay, compact, solid | 1746 | 2,943 |
| Clay, dry in lump loose | 1009 | 1,701 |
| Clay, excavated in water | 1282 | 2,160 |
| Coal, anthracite, broken, loose | 865 | 1,458 |
| Coal, bituminous, moderately wet | 801 | 1,350 |
| Earth, common loam, dry | 1218 | 2,052 |
| Earth, mud, packed | 1843 | 3,105 |
| Granite, broken | 1538 | 2,592 |
| Gypsum | 2275 | 3,834 |
| Limestone, coarse, sized | 1570 | 2,646 |
| Limestone, mixed sizes | 1682 | 2,835 |
| Limestone, pulverized or crushed | 1362 | 2,295 |
| Sand, damp | 2083 | 3,510 |
| Sand, dry | 1762 | 2,970 |
| Sand, voids, full of water | 2083 | 3,510 |
| Sandstone, quarried | 1314 | 2,214 |
| Shale, broken crushed | 1362 | 2,295 |
| Slag, furnace granulated | 1955 | 3,294 |
| Stone or gravel, 375 to 875-mm (1.5 to 3.5") size | 1442 | 2,430 |
| Stone or gravel, 1875-mm (3/4") size | 1602 | 2,700 |

* This guide, representing bucket sizes not necessarily manufactured by Deere, will help you in selecting proper bucket size for material density, loader configuration, and operating conditions. Optimum bucket size is determined after adding or subtracting all tipping load changes due to optional equipment. The "conservative load" line on this guide is recommended when operating in conditions such as soft ground and uneven surfaces. The "maximum load" condition on this guide is sometimes utilized when operating on firm ground and level surfaces.



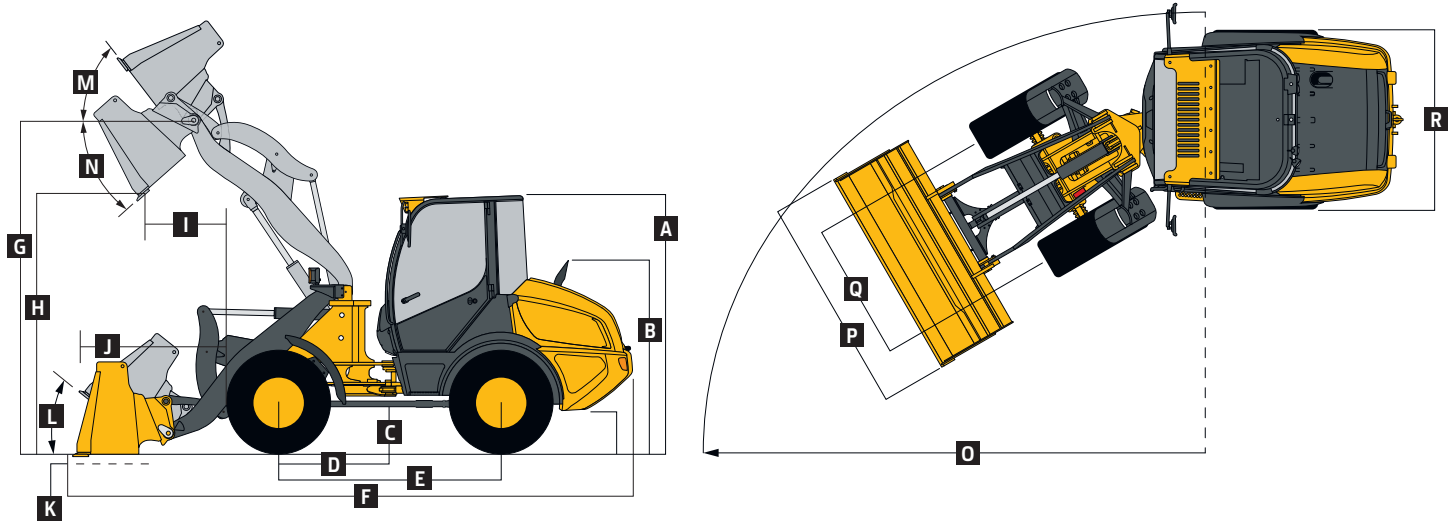
304L SPECIFICATIONS

| | |
|--|--|
| Engine | 304L |
| Manufacturer and Model | Yanmar 4TNV98 |
| Non-Road Emission Standard | EPA Final Tier 4 (FT4) |
| Cylinders | 4 |
| Valves per Cylinder | 4 |
| Displacement | 3.3 L (203 cu. in.) |
| Net Peak Power at 2,400 rpm (ISO 9249 and SAE J1349) | 48 kW (65 hp) |
| Gross Rated Power at 2,400 rpm (ISO 14396) | 50 kW (68 hp) |
| Peak Torque at 1,600 rpm (ISO 9249 and SAE J1349) | 237 Nm (175 lb.-ft.) |
| Engine Bore and Stroke | 98 x 110 mm (3.89 x 4.33 in.) |
| Lubrication | Pressure system with full-flow spin-on filter |
| Fuel System | High-pressure common rail |
| Aspiration | Naturally aspirated |
| Air Cleaner | Dual safety element dry type |
| Cooling | |
| Fan | Direct driven |
| Engine Coolant Rating | -37 deg. C (-34 deg. F) |
| Powertrain | |
| Type | Hydrostatic (HST) with infinitely variable speed control over full range of operating speeds; 2 speed ranges; joystick-mounted F-N-R; acceleration pedal; HST inching pedal, which allows infinitely reduced travel speeds while maintaining full engine rpm and hydraulic flow |
| 2 Travel Speeds in Forward and Reverse (equipped with 405/70R18 tires) | |
| Gear 1 | 6.0 km/h (3.7 mph) |
| Gear 2 | 20.0 km/h (12.0 mph) |
| Axles | Rigid-mount front and rear axles with 10-deg. frame oscillation |
| Rear Axle Oscillation Versus Front Axle | 20 deg. total, stop to stop |
| Differentials | 45% locking front and rear differentials |
| Maximum Rise and Fall, Single Wheel | 254 mm (10 in.) |
| Steering | Hydraulic power steering (SAE J1511); 40-deg. articulation left and right |
| Steering Wheel Turns, Stop to Stop | 3.5 left to 4.5 right |
| Articulation Angle | 80-deg. arc (40 deg. each direction) |
| Final Drive | Heavy-duty outboard planetary |
| Brakes (SAE J1473 and ISO 3450) | |
| Service Brakes | Hydraulically actuated, self-adjusting internal wet-disc brake and driveline drum brake |
| Parking Brake | Automatically spring-applied, hydraulically released, internal wet disc |
| Hydraulics | |
| Main Pump (loader and steering) | Fixed-displacement gear pump; open-center system |
| Maximum Rated Flow at 6895 kPa (1,000 psi) and 2,400 rpm | 77 L/m (20 gpm) |
| System Relief Pressure | |
| Loader | 23 000 kPa (3,335 psi) |
| Steering | 18 002 kPa (2,611 psi) |
| Hydraulic Cycle Time | |
| Raise | 6.6 sec. |
| Dump | 1.6 sec. |
| Lower (float down) | 5.7 sec. |
| Lower (power down) | 5.3 sec. |
| Total | 13.5 sec. |
| Controls | 3-function valve with single-lever control for boom and bucket, with hydraulic lockout feature; joystick-mounted push-button electrohydraulic (EH) control for auxiliary hydraulics, with hydraulic lockout feature; ride control electrically actuated for improved ride quality (factory and field option) |
| Cylinders | |
| Type | Heat-treated, chrome-plated, polished cylinder rods; hardened steel (replaceable bushings) pivot pins |
| Electrical | |
| Type | Electrical load center with blade-type multi-fused circuits |
| Voltage | 12 volt |
| Number of Batteries | 1 |
| Battery Capacity | 850 CCA |
| Reserve Capacity | 80 min. |
| Alternator Rating | 80 amp |
| Lights (SAE 99) | Driving/front working lights (2), rear working lights (2), turn signals, flashers, and stop- and taillights |

304L SPECIFICATIONS



| Operator's Station | | 304L | |
|---|--------------------------|--------------------------|----------------------------------|
| Noise Level | | | |
| Operator Ear | | 78 dba | |
| Bystander | | 101 dba | |
| Tires/Wheels | | | |
| Tires on Single-Piece Rims | <i>Tread Width*</i> | <i>Width Over Tires†</i> | <i>Change in Vertical Height</i> |
| 405/70R18 Firestone Duraforce (standard) | 1427 mm (4 ft. 8 in.) | 1790 mm (5 ft. 10 in.) | — |
| 400/70R20 Michelin XMCL (optional) | 1376 mm (4 ft. 6 in.) | 1790 mm (5 ft. 10 in.) | +20 mm (+0.8 in.) |
| 405/70R20 Mitas EM-01 (optional) | 1376 mm (4 ft. 6 in.) | 1790 mm (5 ft. 10 in.) | -1 mm (0 in.) |
| *Also see Q in Dimensions section on pages 20 and 22. / †Also see R in Dimensions section on pages 20 and 22. | | | |
| Serviceability | | | |
| Refill Capacities | | | |
| Cooling System (engine and radiator) | 12.0 L (12.7 qt.) | | |
| Differential and Planetary Axle | | | |
| Front | 6.0 L (6.4 qt.) | | |
| Rear | 6.0 L (6.4 qt.) | | |
| Engine Oil with Filter | 10.0 L (10.8 qt.) | | |
| Fuel Tank | 50.0 L (13.2 gal.) | | |
| Hydraulic/HST Reservoir with Filter | 90.0 L (23.8 gal.) | | |
| HST Motor Gearbox | 1.0 L (1.1 qt.) | | |
| Operating Weights | | | |
| With standard equipment, 405/70R18 tires, standard counterweight, 79-kg (175 lb.) operator, and full fuel tank | | | |
| | <i>With Enclosed Cab</i> | <i>With Canopy ROPS</i> | |
| Quik-Tatch™ Quick-Coupler | | | |
| With 0.8-m ³ (1.0 cu. yd.) Stockpiling/General-Purpose Bucket with Bolt-On Edge | 5796 kg (12,778 lb.) | 5676 kg (12,513 lb.) | |
| With 1.1-m ³ (1.4 cu. yd.) Stockpiling/General-Purpose Bucket with Bolt-On Edge | 5906 kg (13,021 lb.) | 5786 kg (12,756 lb.) | |
| With 1.6-m ³ (2.1 cu. yd.) Light-Material Bucket with Bolt-On Edge | 5991 kg (13,208 lb.) | 5871 kg (12,943 lb.) | |
| With Fork | 5702 kg (12,571 lb.) | 5582 kg (12,306 lb.) | |
| ISO Quick-Coupler | | | |
| With 0.8-m ³ (1.0 cu. yd.) Stockpiling/General-Purpose Bucket with Bolt-On Edge | 5591 kg (12,326 lb.) | 5471 kg (12,061 lb.) | |
| With 1.1-m ³ (1.4 cu. yd.) Stockpiling/General-Purpose Bucket with Bolt-On Edge | 5690 kg (12,544 lb.) | 5570 kg (12,280 lb.) | |
| With 1.6-m ³ (2.1 cu. yd.) Light-Material Bucket with Bolt-On Edge | 5768 kg (12,716 lb.) | 5648 kg (12,452 lb.) | |
| With Fork | 5470 kg (12,059 lb.) | 5350 kg (11,795 lb.) | |
| Optional Components | | | |
| Quik-Tatch Quick-Coupler | | | |
| With 0.8-m ³ (1.0 cu. yd.) Stockpiling/General-Purpose Bucket with Bolt-On Edge | 535 kg (1,179 lb.) | 535 kg (1,179 lb.) | |
| With 1.1-m ³ (1.4 cu. yd.) Stockpiling/General-Purpose Bucket with Bolt-On Edge | 645 kg (1,421 lb.) | 645 kg (1,421 lb.) | |
| With 1.6-m ³ (2.1 cu. yd.) Light-Material Bucket with Bolt-On Edge | 730 kg (1,609 lb.) | 730 kg (1,609 lb.) | |
| With Fork Frame and Forks (Class 3B) | 336 kg (741 lb.) | 336 kg (741 lb.) | |
| ISO Quick-Coupler | | | |
| With 0.8-m ³ (1.0 cu. yd.) Stockpiling/General-Purpose Bucket with Bolt-On Edge | 330 kg (728 lb.) | 330 kg (728 lb.) | |
| With 1.1-m ³ (1.4 cu. yd.) Stockpiling/General-Purpose Bucket with Bolt-On Edge | 429 kg (946 lb.) | 429 kg (946 lb.) | |
| With 1.6-m ³ (2.1 cu. yd.) Light-Material Bucket with Bolt-On Edge | 507 kg (1,118 lb.) | 507 kg (1,118 lb.) | |
| With Fork Frame and Forks (Class 2) | 240 kg (529 lb.) | 240 kg (529 lb.) | |



304L LOADER WITH QUIK-TATCH COUPLER AND BUCKET

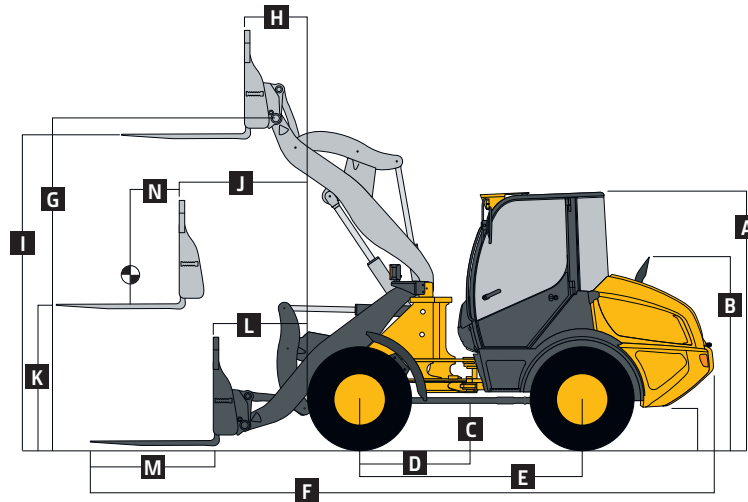
| Dimensions with Quik-Tatch Coupler and Bucket | 0.8-m ³ (1.0 cu. yd.) stockpiling/ general purpose with bolt-on edge | 1.1-m ³ (1.4 cu. yd.) stockpiling/ general purpose with bolt-on edge | 1.6-m ³ (2.1 cu. yd.) light-material with bolt-on edge |
|---|--|--|--|
| A Height to Top of Cab | 2.47 m (8 ft. 0 in.) | 2.47 m (8 ft. 0 in.) | 2.47 m (8 ft. 0 in.) |
| B Height to Top of Exhaust | 1.82 m (5 ft. 11 in.) | 1.82 m (5 ft. 11 in.) | 1.82 m (5 ft. 11 in.) |
| C Ground Clearance | 330 mm (13 in.) | 330 mm (13 in.) | 330 mm (13 in.) |
| D Length from Centerline to Front Axle | 1067 mm (3 ft. 6 in.) | 1067 mm (3 ft. 6 in.) | 1067 mm (3 ft. 6 in.) |
| E Wheelbase | 2.15 m (7 ft. 1 in.) | 2.15 m (7 ft. 1 in.) | 2.15 m (7 ft. 1 in.) |
| F Overall Length, Bucket on Ground | 5.52 m (18 ft. 1 in.) | 5.62 m (18 ft. 5 in.) | 5.75 m (18 ft. 10 in.) |
| G Height to Hinge Pin, Fully Raised | 3.37 m (11 ft. 1 in.) | 3.37 m (11 ft. 1 in.) | 3.37 m (11 ft. 1 in.) |
| H Dump Clearance, 40-deg. Full Height | 2.62 m (8 ft. 7 in.) | 2.57 m (8 ft. 5 in.) | 2.49 m (8 ft. 2 in.) |
| I Reach, 40-deg. Dump, Full Height | 930 mm (3 ft. 1 in.) | 975 mm (3 ft. 2 in.) | 1055 mm (3 ft. 5 in.) |
| J Reach, 42-deg. Dump, 2.13-m (7 ft.) Clearance | 1.60 m (5 ft. 4 in.) | 1.65 m (5 ft. 6 in.) | 1.69 m (5 ft. 7 in.) |
| K Maximum Digging Depth | 70 mm (2.8 in.) | 70 mm (2.8 in.) | 70 mm (2.8 in.) |
| L Maximum Rollback at Ground Level | 37 deg. | 37 deg. | 37 deg. |
| M Maximum Rollback, Boom Fully Raised | 65 deg. | 65 deg. | 65 deg. |
| N Maximum Bucket Dump Angle, Fully Raised | 40 deg. | 40 deg. | 40 deg. |
| O Turning Circle Radius Over Outside of Bucket Edge | 4.47 m (14 ft. 8 in.) | 4.53 m (14 ft. 10 in.) | 4.56 m (15 ft. 0 in.) |
| P Bucket Width | 1.90 m (6 ft. 3 in.) | 2.20 m (7 ft. 3 in.) | 2.40 m (7 ft. 10 in.) |
| Q Tread Width (standard) ⁶ | 1427 mm (4 ft. 8 in.) | 1427 mm (4 ft. 8 in.) | 1427 mm (4 ft. 8 in.) |
| R Width Over Tires (standard) ⁶ | 1790 mm (5 ft. 10 in.) | 1790 mm (5 ft. 10 in.) | 1790 mm (5 ft. 10 in.) |

⁶Also see **Tires/Wheels** section on page 19.

Specifications with Quik-Tatch Coupler and Bucket

| | | | |
|--|------------------------------------|------------------------------------|------------------------------------|
| Capacity, Heaped | 0.8 m ³ (1.0 cu. yd.) | 1.1 m ³ (1.4 cu. yd.) | 1.6 m ³ (2.1 cu. yd.) |
| Capacity, Struck | 0.66 m ³ (0.86 cu. yd.) | 0.90 m ³ (1.18 cu. yd.) | 1.40 m ³ (1.80 cu. yd.) |
| Breakout Force | 5370 kg (11,839 lb.) | 4790 kg (10,560 lb.) | 4120 kg (9,083 lb.) |
| Tipping Load, Straight | 4000 kg (9,171 lb.) | 4000 kg (8,818 lb.) | 3800 kg (8,378 lb.) |
| Tipping Load, 40-deg. Full Turn | 3670 kg (8,091 lb.) | 3600 kg (7,937 lb.) | 3350 kg (7,385 lb.) |
| Rated Operating Load, 50% of Full-Turn Tipping Load (conforms to ISO 14397-1)* | 1835 kg (4,046 lb.) | 1800 kg (3,969 lb.) | 1675 kg (3,693 lb.) |

*Rated operating capacity based on Deere attachments only.



304L LOADER WITH QUIK-TATCH COUPLER AND FORK

Dimensions with Quik-Tatch Coupler and Fork

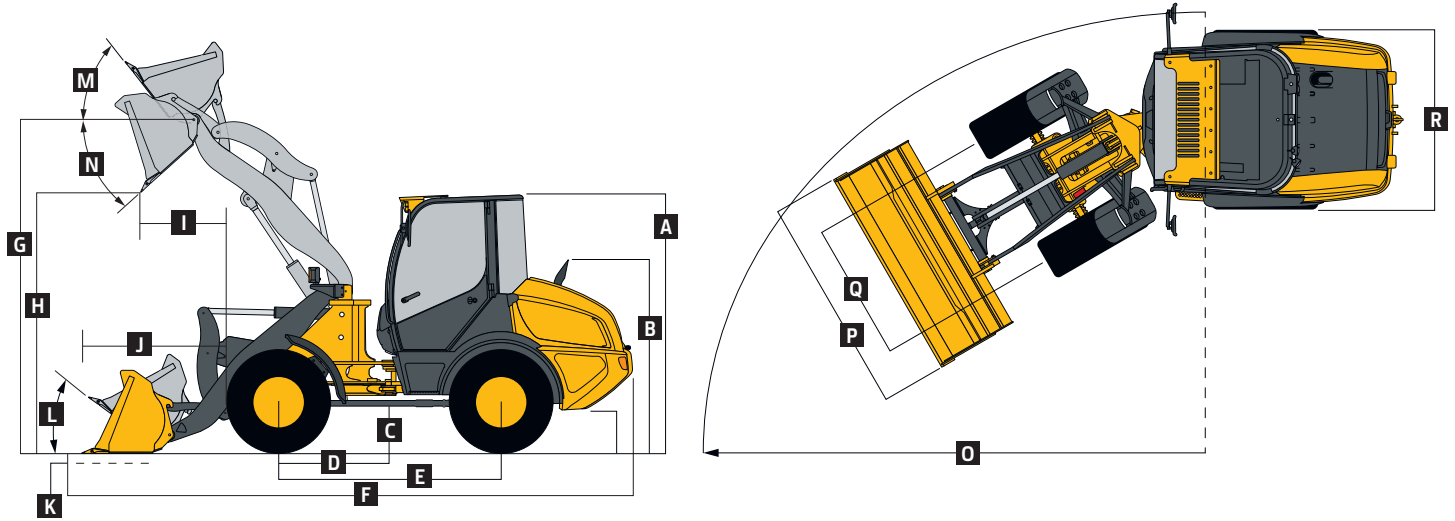
| | |
|---|-----------------------|
| A Height to Top of Cab | 2.47 m (8 ft. 0 in.) |
| B Height to Top of Exhaust | 1.82 m (5 ft. 11 in.) |
| C Ground Clearance | 330 mm (13 in.) |
| D Length from Centerline to Front Axle | 1067 mm (3 ft. 6 in.) |
| E Wheelbase | 2.15 m (7 ft. 1 in.) |
| F Overall Length, Forks on Ground | 5.96 m (19 ft. 7 in.) |
| G Height to Hinge Pin, Fully Raised | 3.37 m (11 ft. 1 in.) |
| H Reach, Fully Raised | 515 mm (20 in.) |
| I Fork Height, Fully Raised | 3.20 m (10 ft. 6 in.) |
| J Maximum Reach, Fork Level | 1.33 m (4 ft. 4 in.) |
| K Fork Height, Maximum Reach | 1.47 m (4 ft. 10 in.) |
| L Reach, Ground Level | 830 mm (33 in.) |
| M Tine Length | 1.22 m (48 in.) |
| N Load Position, 50% Tine Length | 0.61 m (24 in.) |

Specifications with Quik-Tatch Coupler and Fork*As measured with fork level, centered on tine*

| | |
|--|----------------------------------|
| Tipping Load, Straight | 3280 kg (7,231 lb.) |
| Tipping Load, 40-deg. Full Turn | 2900 kg (6,393 lb.) |
| Rated Operating Load, 50% Full-Turn Tipping Load (conforms to ISO 14397-1 and SAE J1197)* | 1450 kg (3,197 lb.) [†] |
| Rated Operating Load, Rough Terrain, 60% Full-Turn Tipping Load (conforms to EN474-3)* | 1740 kg (3,836 lb.) [†] |
| Rated Operating Load, Firm and Level Ground, 80% Full-Turn Tipping Load (conforms to EN474-3)* | 2120 kg (4,674 lb.) [†] |

*Rated operating capacity based on Deere attachments only.

[†]Payload on forks is limited by tilt cylinder.



304L LOADER WITH ISO PARALLEL-PIN "EURO" COUPLER AND BUCKET

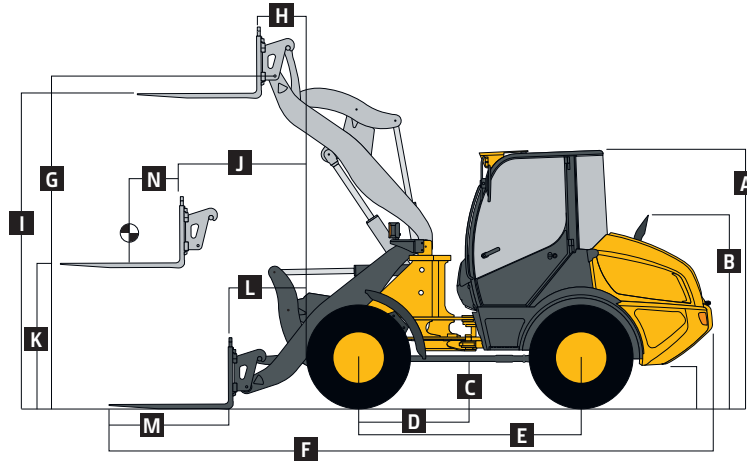
| Dimensions with ISO Parallel-Pin "Euro" Coupler and Bucket | 0.8-m ³ (1.0 cu. yd.) hook-on stockpiling/general purpose with bolt-on edge | 1.1-m ³ (1.4 cu. yd.) hook-on stockpiling/general purpose with bolt-on edge | 1.6-m ³ (2.1 cu. yd.) hook-on light-material with bolt-on edge |
|--|--|--|---|
| A Height to Top of Cab | 2.47 m (8 ft. 0 in.) | 2.47 m (8 ft. 0 in.) | 2.47 m (8 ft. 0 in.) |
| B Height to Top of Exhaust | 1.82 m (5 ft. 11 in.) | 1.82 m (5 ft. 11 in.) | 1.82 m (5 ft. 11 in.) |
| C Ground Clearance | 330 mm (13 in.) | 330 mm (13 in.) | 330 mm (13 in.) |
| D Length from Centerline to Front Axle | 1067 mm (3 ft. 6 in.) | 1067 mm (3 ft. 6 in.) | 1067 mm (3 ft. 6 in.) |
| E Wheelbase | 2.15 m (7 ft. 1 in.) | 2.15 m (7 ft. 1 in.) | 2.15 m (7 ft. 1 in.) |
| F Overall Length, Bucket on Ground | 5.52 m (18 ft. 1 in.) | 5.62 m (18 ft. 5 in.) | 5.75 m (18 ft. 10 in.) |
| G Height to Hinge Pin, Fully Raised | 3.37 m (11 ft. 1 in.) | 3.37 m (11 ft. 1 in.) | 3.37 m (11 ft. 1 in.) |
| H Dump Clearance, 40-deg. Full Height | 2.62 m (8 ft. 7 in.) | 2.57 m (8 ft. 5 in.) | 2.49 m (8 ft. 2 in.) |
| I Reach, 40-deg. Dump, Full Height | 930 mm (3 ft. 1 in.) | 975 mm (3 ft. 2 in.) | 1055 mm (3 ft. 5 in.) |
| J Reach, 42-deg. Dump, 2.13-m (7 ft.) Clearance | 1.60 m (5 ft. 4 in.) | 1.65 m (5 ft. 6 in.) | 1.69 m (5 ft. 7 in.) |
| K Maximum Digging Depth | 70 mm (2.8 in.) | 70 mm (2.8 in.) | 70 mm (2.8 in.) |
| L Maximum Rollback at Ground Level | 37 deg. | 37 deg. | 37 deg. |
| M Maximum Rollback, Boom Fully Raised | 65 deg. | 65 deg. | 65 deg. |
| N Maximum Bucket Dump Angle, Fully Raised | 40 deg. | 40 deg. | 40 deg. |
| O Turning Circle Radius Over Outside of Bucket Edge | 4.47 m (14 ft. 8 in.) | 4.53 m (14 ft. 10 in.) | 4.55 m (14 ft. 11 in.) |
| P Bucket Width | 1.90 m (6 ft. 3 in.) | 2.20 m (7 ft. 3 in.) | 2.40 m (7 ft. 10 in.) |
| Q Tread Width (standard) [§] | 1427 mm (4 ft. 8 in.) | 1427 mm (4 ft. 8 in.) | 1427 mm (4 ft. 8 in.) |
| R Width Over Tires (standard) [§] | 1790 mm (5 ft. 10 in.) | 1790 mm (5 ft. 10 in.) | 1790 mm (5 ft. 10 in.) |

[§]Also see **Tires/Wheels** section on page 19.

Specifications with ISO Parallel-Pin "Euro" Coupler and Bucket

| | | | |
|--|------------------------------------|------------------------------------|------------------------------------|
| Capacity, Heaped | 0.8 m ³ (1.0 cu. yd.) | 1.1 m ³ (1.4 cu. yd.) | 1.6 m ³ (2.1 cu. yd.) |
| Capacity, Struck | 0.66 m ³ (0.86 cu. yd.) | 0.90 m ³ (1.18 cu. yd.) | 1.40 m ³ (1.80 cu. yd.) |
| Breakout Force | 5370 kg (11,839 lb.) | 5710 kg (12,588 lb.) | 4120 kg (9,083 lb.) |
| Tipping Load, Straight | 4000 kg (9,171 lb.) | 4400 kg (9,700 lb.) | 3800 kg (8,378 lb.) |
| Tipping Load, 40-deg. Full Turn | 3670 kg (8,091 lb.) | 3850 kg (8,488 lb.) | 3350 kg (7,385 lb.) |
| Rated Operating Load, 50% of Full-Turn Tipping Load (conforms to ISO 14397-1)* | 1835 kg (4,046 lb.) | 1925 kg (4,244 lb.) | 1675 kg (3,693 lb.) |

*Rated operating capacity based on Deere attachments only.



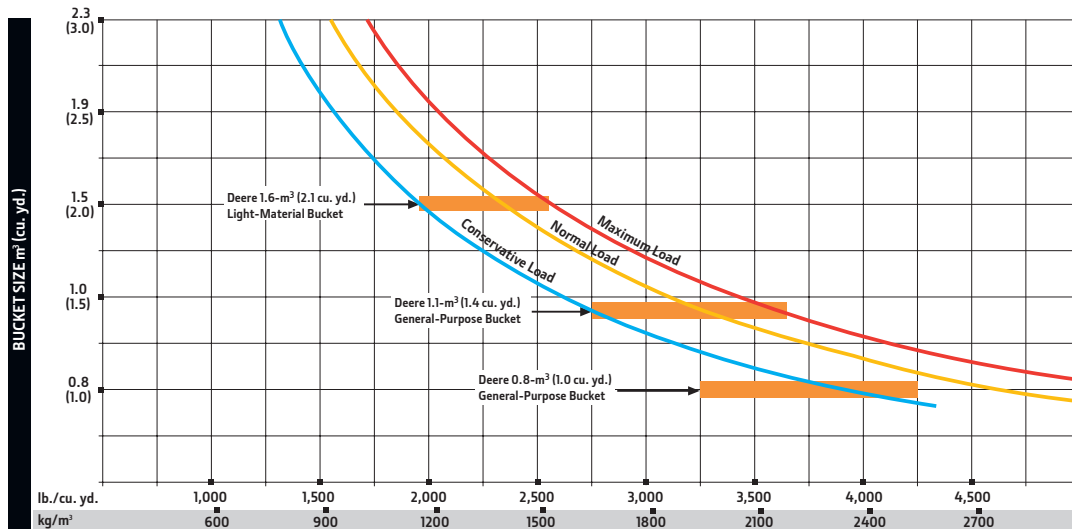
304L LOADER WITH ISO PARALLEL-PIN "EURO" COUPLER AND FORK

| | |
|--|--|
| Dimensions with ISO Parallel-Pin "Euro" Coupler and Fork | <i>1.22-m (48 in.) tine length</i> |
| A Height to Top of Cab | 2.47 m (8 ft. 0 in.) |
| B Height to Top of Exhaust | 1.82 m (5 ft. 11 in.) |
| C Ground Clearance | 330 mm (13 in.) |
| D Length from Centerline to Front Axle | 1067 mm (3 ft. 6 in.) |
| E Wheelbase | 2.15 m (7 ft. 1 in.) |
| F Overall Length, Forks on Ground | 5.94 m (19 ft. 6 in.) |
| G Height to Hinge Pin, Fully Raised | 3.37 m (11 ft. 1 in.) |
| H Reach, Fully Raised | 515 mm (20 in.) |
| I Fork Height, Fully Raised | 3.20 m (10 ft. 6 in.) |
| J Maximum Reach, Fork Level | 1.33 m (4 ft. 4 in.) |
| K Fork Height, Maximum Reach | 1.47 m (4 ft. 10 in.) |
| L Reach, Ground Level | 830 mm (33 in.) |
| M Tine Length | 1.22 m (48 in.) |
| N Load Position, 50% Tine Length | 0.61 m (24 in.) |
| Specifications with ISO Parallel-Pin "Euro" Coupler and Fork | <i>As measured with fork level, centered on tine</i> |
| Tipping Load, Straight | 3500 kg (7,716 lb.) |
| Tipping Load, 40-deg. Full Turn | 3100 kg (6,834 lb.) |
| Rated Operating Load, 50% Full-Turn Tipping Load (conforms to ISO 14397-1 and SAE J1197)* | 1550 kg (3,417 lb.) [†] |
| Rated Operating Load, Rough Terrain, 60% Full-Turn Tipping Load (conforms to EN474-3)* | 1850 kg (4,079 lb.) [†] |
| Rated Operating Load, Firm and Level Ground, 80% Full-Turn Tipping Load (conforms to EN474-3)* | 2400 kg (5,291 lb.) [†] |

*Rated operating capacity based on Deere attachments only.

[†]Payload on forks is limited by tilt cylinder.

Bucket Selection Guide*



| LOOSE MATERIALS | kg/m³ | lb./cu. yd. |
|--|-------|-------------|
| Chips, pulpwood | 288 | 486 |
| Cinders (coal, ashes, clinkers) | 673 | 1,134 |
| Clay and gravel, dry | 1602 | 2,700 |
| Clay, compact, solid | 1746 | 2,943 |
| Clay, dry in lump loose | 1009 | 1,701 |
| Clay, excavated in water | 1282 | 2,160 |
| Coal, anthracite, broken, loose | 865 | 1,458 |
| Coal, bituminous, moderately wet | 801 | 1,350 |
| Earth, common loam, dry | 1218 | 2,052 |
| Earth, mud, packed | 1843 | 3,105 |
| Granite, broken | 1538 | 2,592 |
| Gypsum | 2275 | 3,834 |
| Limestone, coarse, sized | 1570 | 2,646 |
| Limestone, mixed sizes | 1682 | 2,835 |
| Limestone, pulverized or crushed | 1362 | 2,295 |
| Sand, damp | 2083 | 3,510 |
| Sand, dry | 1762 | 2,970 |
| Sand, voids, full of water | 2083 | 3,510 |
| Sandstone, quarried | 1314 | 2,214 |
| Shale, broken crushed | 1362 | 2,295 |
| Slag, furnace granulated | 1955 | 3,294 |
| Stone or gravel, 375 to 875-mm (1.5 to 35") size | 1442 | 2,430 |
| Stone or gravel, 18.75-mm (3/4") size | 1602 | 2,700 |

*This guide, representing bucket sizes not necessarily manufactured by Deere, will help you in selecting proper bucket size for material density, loader configuration, and operating conditions. Optimum bucket size is determined after adding or subtracting all tipping load changes due to optional equipment. The "conservative load" line on this guide is recommended when operating in conditions such as soft ground and uneven surfaces. The "maximum load" condition on this guide is sometimes utilized when operating on firm ground and level surfaces.

Additional equipment

Key: ● Standard ▲ Optional or special

See your John Deere dealer for further information.

| 204L | 304L | Engine |
|------------|------|--|
| ● | ● | Antifreeze, -37 deg. C (-34 deg. F) |
| ● | ● | Coolant recovery tank |
| ● | ● | Fan safety guard |
| ● | ● | Fan, sucker type, direct drive |
| ● | ● | Under-hood aftertreatment (including diesel oxidation catalyst and diesel particulate filter) |
| ● | ● | Environmentally friendly engine oil drain |
| ● | ● | Engine oil cooler |
| ● | ● | Quick-release fuel filter and water separator |
| ● | ● | Automatic engine glow plugs for cold start |
| ▲ | ▲ | Engine coolant heater, 1,000 watts, 110 volts |
| Electrical | | |
| ● | ● | Starter switch with electric fuel cutoff |
| ● | ● | 12-volt system |
| ● | ● | Electrical load center: Blade-type fuses |
| ● | ● | Standard battery (1), 12 volt with 850 CCA, 80-min. reserve |
| ● | ● | Master electrical disconnect switch |
| ● | ● | Alternator, 12 volts, 80 amps |
| ● | ● | Horn (conforms to SAE J994 / J1446) |
| ● | ● | Lights (conform to SAE 99): Driving / Turn signals / Flashers / Stop / Taillights |
| ● | ● | Worklights, front (2) |
| ● | ● | Worklights, rear (2) |
| ● | ● | Reverse warning alarm (conforms to SAE J994 / J1446) |
| ● | ● | Multifunction monitor with audible and visual warnings: Engine coolant temperature and hydraulic oil temperature / Gauge: Fuel / Visual indicators: Air-filter restriction, low voltage, coolant temperature, engine oil pressure, engine preheat, engine rpm, hydraulic bucket return-to-dig control, hydraulic oil temperature, lights high beam, park brake, turn signals, fuel-level gauge, and hour meter |

| 204L | 304L | Electrical (continued) |
|--------------------|------|--|
| ● | ● | Indicator lights: Engine air filter/ Battery voltage / Parking brake actuated / Forward/reverse travel / 1st- or 2nd-speed range / Turn signal and hazard lights / High-beam driving lights |
| ● | ● | Radio-ready cab, fused 12-volt radio electrical lead and speakers, power port |
| ● | ● | Pre-wired for roof beacon |
| Powertrain/Brakes | | |
| ● | ● | Hydrostatic (HST) transmission: Electric shift control / Single-lever joystick F-N-R / Hydrostatic oil cooler / Inching pedal / 2 speeds forward and reverse / Infinitely variable speed control |
| ● | ● | Parking brake, spring applied, hydraulically released, switch operated |
| ● | ● | 45% limited-slip front and rear differentials |
| Hydraulic System | | |
| ● | ● | Hydraulic system oil cooler |
| ● | ● | Float detent |
| ● | ● | Reservoir sight gauge |
| ● | ● | Fine-micron hydraulic filters, vertical mounting |
| ● | ● | Hydraulic function lockout |
| ● | ● | 3-function hydraulic valve with electrohydraulic push-button 3rd-function control |
| ● | ● | Quick-coupler diagnostic ports: Priority pressure / Hydraulic pump pressure / Control valve pressure / HST pressure |
| Operator's Station | | |
| ▲ | ▲ | Cab (conforms to SAE J1040, SAE J231, ISO 3471, and ISO 3449): Air conditioner/heater/defroster / Tilt steering / Inside mirror |
| ● | ● | Canopy |
| ● | ● | Storage compartment for operator's manual and other items |

| 204L | 304L | Operator's Station (continued) |
|-------------------------|------|--|
| ● | ● | Rubber floor mat |
| ● | ● | Rearview mirrors, outside (2) |
| ● | ● | Handholds and steps, ergonomically located and slip resistant (conform to SAE J185) |
| Loader Linkage | | |
| ● | ● | Z-bar loader linkage provides high bucket breakout |
| ● | ● | Loader boom service locking bar (conforms to SAE J38) |
| Buckets and Attachments | | |
| ▲ | ▲ | Full line of buckets with selection of bolt-on cutting edges |
| ▲ | ▲ | Electrically actuated quick-coupler with flags |
| ▲ | ▲ | Full line of construction utility forks, pallet forks, and other attachments* |
| ▲ | ▲ | ISO parallel-pin hydraulically actuated coupler |
| Tires | | |
| ● | ● | 365/70R18 Mitas EM-01 |
| ▲ | ▲ | 400/70R20 Michelin XMCL |
| ▲ | ▲ | 405/70R18 Firestone Duraforce |
| | ▲ | 405/70R20 Mitas EM-01 |
| Other | | |
| ● | ● | Fenders, front and rear |
| ● | ● | Articulation locking bar (conforms to SAE J276) |
| ● | ● | Vandal protection, includes lockable engine enclosure |
| ● | ● | Counterweight, saddle-type, built-in |
| ● | ● | Rear bottom guard, built-in |
| ● | ● | Drawbar, with locking pin |
| ● | ● | Lift eyes |
| ● | ● | Tie-downs |
| ▲ | ▲ | Fire extinguisher |
| ▲ | ▲ | Material-weighing system† |
| ▲ | ▲ | Ride control |
| ▲ | ▲ | Creep control |
| ▲ | ▲ | JDLINK™ wireless communication system (available in specific countries; see your dealer for details) |

*See your John Deere dealer for further information.

†Contact LOAD-RITE™.



Net engine power is with standard equipment including air cleaner, exhaust system, alternator, and cooling fan, at test conditions specified per ISO 9249. No derating is required up to 3000-m (10,000 ft.) altitude. Specifications and design subject to change without notice. Wherever applicable, specifications are in accordance with SAE standards. Except where otherwise noted, these specifications are based on units with all standard equipment, ROPS cab, standard rear counterweight, full fuel tank, and 79-kg (175 lb.) operator; 204L unit with 365/70R18 tires; and 304L unit with 405/70R18 tires.

JohnDeere.com