



## Madvac<sup>®</sup> LP61G – Compact Litter Collector

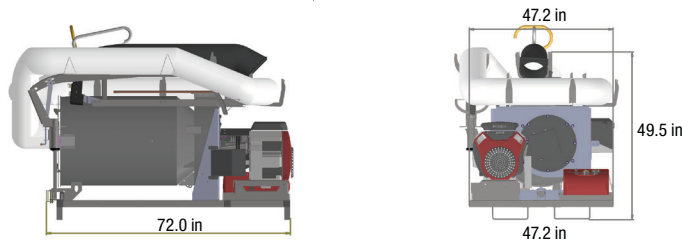
**For hard-to-reach soiled areas such as windblown trash at landfill/transfer station fence lines, parking lots, parks, cycling trails and industrial sites there's nothing quite like the Madvac<sup>®</sup> LP61G!**

- Vacuums: cans, bottles, newspapers, plastic and paper bags as well as other trash
- Compact, lightweight and easy to use
- Fork lift ready
- Easily transported using; a standard pick-up with 6-ft bed, all terrain vehicle or optional tow behind trailer conversion with standard hitch
- 8-inch (203 mm) diameter hose
- Patented straight-through suction compacts litter approx. 80 gallon (300 L)
- Quick-change reusable-type collector bag
- Skid mount to trailer option in 30 minutes

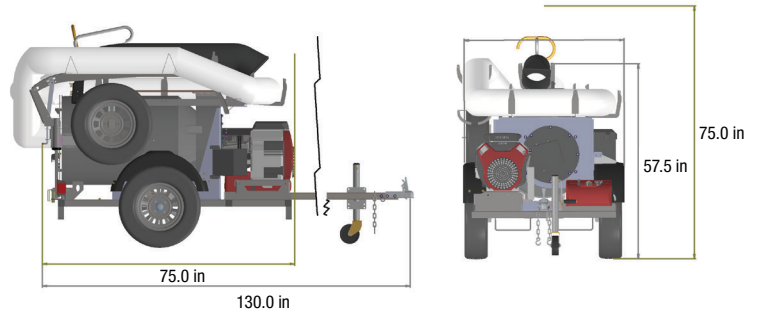
# Madvac® LPG61 Applications

- Industrial, Commercial & Institutional (ICI) Ground Care
- City Parks & Roadside Clean-Up
- Large Fleet Operators (Waste & Transport)
- Landfill & Transfer Stations

## Skid



## Option Trailer Mounted



## Data and Performance Information

### Common Technical Specifications:

Fuel Tank	6 Gal. (9.5 L)
Autonomy	5.0 hours
Litter tank capacity	80 Gal. (300 L)
Airflow	8,400 ft./min (237,8 M/min)
Hose	8 in. (203mm) diameter
Collection system type	Flow through with approx. 2 to 1 compaction ratio
Bag	Quick change reusable type bag
Instruments	Hour, fuel, emergency stop button option, strobe option

### Engine Data

Model	HONDA TWIN GX630 (four stroke)
Displacement	0.630 L
Gross rated power	15.5 kW (20.8 HP)
Legislation Compliance	Honda Compliance (California Spec)

### Skid

Length	72 in. (1828 mm)
Width	47.2 in. (1198 mm)
Height	49.5 in. (1257 mm)
Weight	750 lbs (340 Kg)

### Option Trailer Mounted

Wheels	(2) 175/80 R 13, radial 4 seasons
Lighting	Complete signaling package
Length	130 in. (3300 mm)
Width	47.2 in. (1198 mm)
Height	57.5 in. (1460 mm)
Weight	952 lbs (425 Kg)



# exprolink

**Headquarters:** 2170, De La Province  
Longueuil (Quebec)  
CANADA J4G 1R7

**Toll Free 1 855 651-0444**  
Tel. 450 651-0444  
Fax. 450 651-0447

[www.exprolink.com](http://www.exprolink.com)