

WDA500
WD1500

Capacity 1,100 / 3,300 lbs



Wheel dollies

Wheel dollies for vans, trucks and buses (WDA 500)

And for agricultural and industrial machinery (WD 1500)

- The WDA 500 is a flexible and ergonomic wheel dolly for the easy lifting of wheels, fuel tanks, tool boxes, brake drums, etc.
- The WD 1500 is specially designed for agricultural and industrial wheels with larger diameters and width. Also for deep treaded tractor tyres.

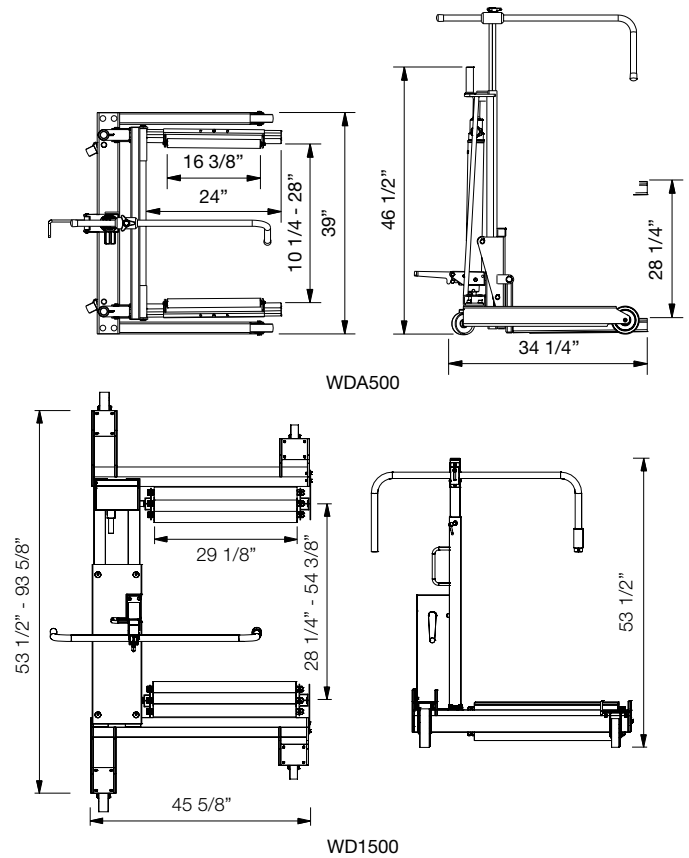
- Side adjustable lifting arms for variable wheel
- Lifting arms with roller bearings for easy rotation of the wheel into correct position.
- Robust and easy to use wheel retaining bracket in combination with the heavy duty wheels makes maneuvering of the dolly easy and safe.

Option



Crane arm for disc brakes, callipers, etc.

- Mounted with the telescopic crane arm the wheel trolley is a universal lifting tool
- The crane arm offers efficiency and good ergonomics when lifting disc brakes, brake drums, callipers, etc.
- The crane arm easily swivels to one side to allow wheel removal operations to be carried out
- Fitted with 360° pivoting hook
- Only for model WDA500



	WDA500	WD1500
Height	46 1/2"	53 1/2"
Length	34 1/4"	45 5/8"
Width	39"	53 1/2" - 93 5/8"
Roller length	16 3/8"	29 1/8"
Fork length	24"	
Roller distance	10 1/4" - 28"	28 2/8" - 54 3/8"
Lifting height	28 1/4"	
Roller diameter		3 1/8"
Wheel sizes	10 5/8" - 51"	36 1/4" - 90 1/2"
Weight	220 lbs	330 lbs



 a member of the Stertil Group

Stertil-Koni U.S.A. Inc.
 200 Log Canoe Circle
 Stevensville, Maryland 21666
 Tel. 410-643-9001
 Toll free 800-336-6637
 Fax 410-643-8901
 lifts@sterdil-koni.com

