

DSVP11HP



DSVP11HP DISPENSE VALVE

2-Way, direct-acting, solenoid valve designed to dispense water or similar media from 0 to 25 psi.

Applications

- Floor Scrubbing applications
- Tank or boiler draining
- Non-potable water applications
- For potable water applications, see our DSVP11NHF valve

Features

- Multiple port options
- Multiple bracket options
- Able to dispense from 0 - 25 psi.

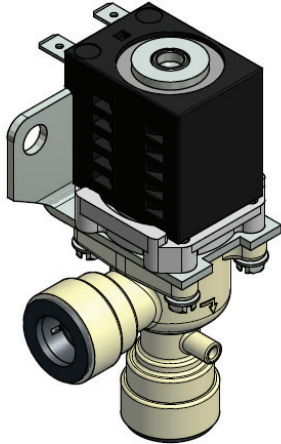


Electrical Specifications	
Coil Voltages	12, 24, 36 VDC
Coil Power	11W Cont
Coil Terminals	0.25" x 0.03" spade terminals std. (See additional options on page 4)
Duty Cycle	100% (Continuous)
Coil Treatment	Polyester encapsulated
Insulation Class	Class F (155° C)
Ambient Temperature	35° C max.
Mechanical Specifications	
Media	Water up to 77° C with Noryl® and Nylon bodies
Operating Pressure	0-25 psi
Operating Position	Any
Cv (Flow Coefficient)	2.0
Mounting Bracket	See options on page 3
Inlet / Outlet Connections	See options on page 2
Valve Body Material	PPE - Noryl®, PA66 - Nylon
Diaphragm Material	LSR - Liquid Silicone Rubber
Weight	8.0 oz.
Agency Approvals	
	UR, cUR, (Agency approvals do not apply to every valve configuration)

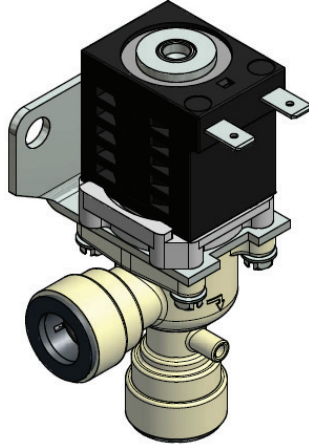
DSVP11HP

Coil Terminal Position Options

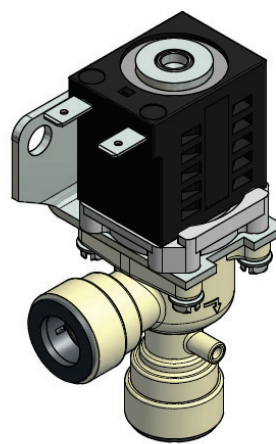
Left of inlet port



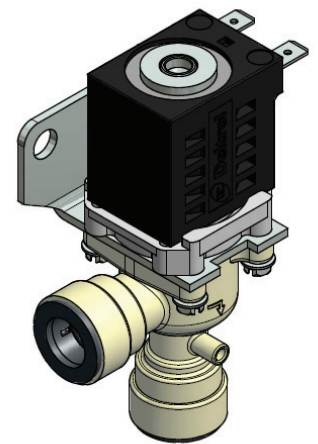
Right of inlet port



Over inlet port

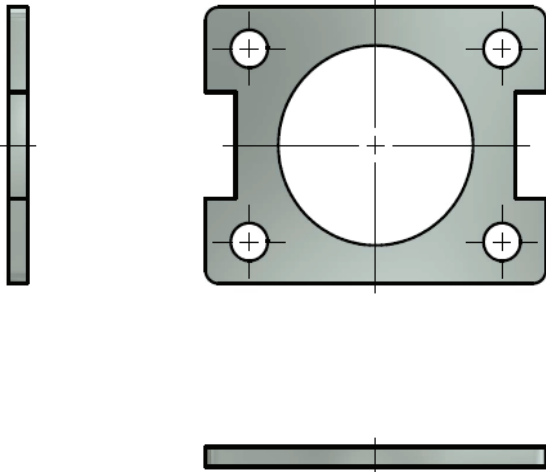


Opposite inlet port

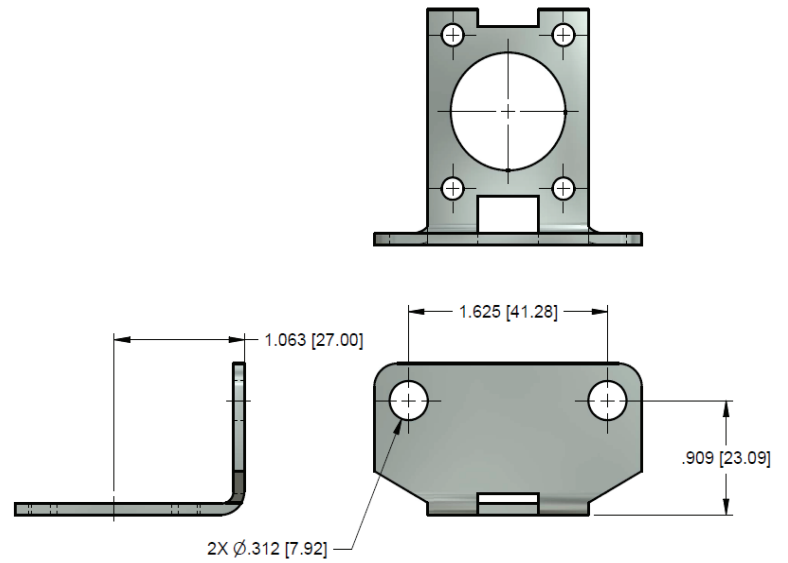


Mounting Bracket Options

Units: Inches [mm]



#1 SPACER - NO MTG HOLES



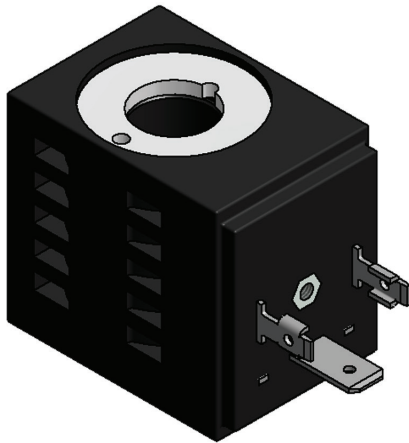
#10L LEFT OVER INLET PORT
#10R RIGHT OF INLET PORT

DSVP11HP

Alternate Coil Options

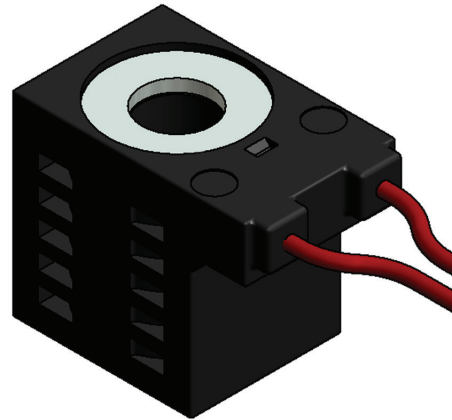
The coil termination options below are now available for our DSVP11 valve. Benefits include expanded connection options, improved ingress protection, and improved corrosion resistance.

ISO 4400 (DIN 43650 FORM A)



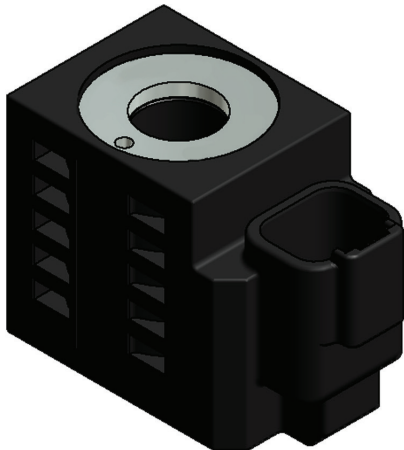
- IP-67 Rating
- Encapsulated class F (155° C) coil construction

MOLDED-IN 20 GA LEAD WIRES



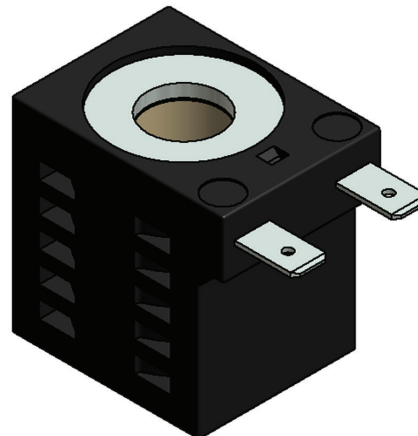
- Connectors can be assembled to lead wires
- Encapsulated class F (155° C) coil construction

DEUTSCH DT04-2P



- IP-69 Rating
- Encapsulated class F (155° C) coil construction

QUICK CONNECT 1/4" SPADE TERMINALS



- Encapsulated class F (155° C) coil construction