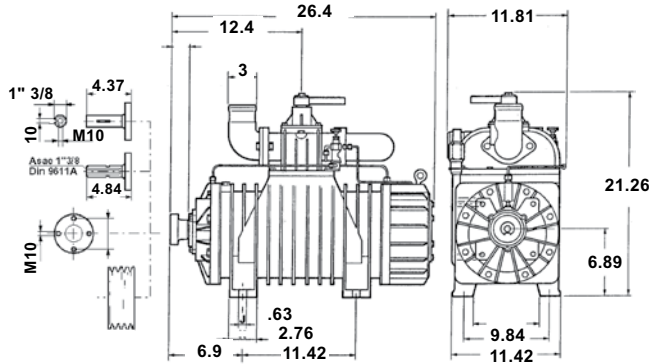


R260 SPECIFICATIONS

RPM Range	900-1200	Horsepower	18
Max Vacuum	27.6" / 92%	Noise @ 18"	84 dB
Max. Cont. Vac.	18" / 60%	Oil Tank Cap.	2.44 qt
CFM @ Free Air	363	Net Weight	397 lbs
CFM @ 18"	304	Rec. Oil	ISO 150
Max Pressure	25 PSI	1 3/8" Smooth Shaft	
		Two 3" Swivel Elbows	

FEATURES:

- 363 CFM @ FREE AIR
- 18" CONTINUOUS DUTY
- INJECTION COOLED
- AUTOMATIC LUBRICATION
- HEAT RESISTANT KEVLAR VANES



PART #	DESCRIPTION
R260	Jurop R260 Vacuum Pump

For filter assembly, add either:
CEI Filter 1007-1003
Jurop Filter 185219N7B0

R260 JURO-PAK

JUROP R260 Vacuum Pump combined with a state of the art Gearbox Auto Alignment and Shutoff-Filter System complete with powder coating and assembly.

FEATURES:

- JUROP R260 VACUUM PUMP
- PUMP MOUNTING STAND MADE OF 3/8" HEAVY DUTY STEEL
- ALUMINUM AUTO ALIGN BRACKET
- 3 SHAFT GEARBOX, 400 SERIES WITH 1 1/4" SHAFT
- 1 3/8" X 1 1/4" SIZE 9 PUMP COUPLING
- 10 GALLON HORIZONTAL SECONDARY WITH 3" OPENING
- FINAL FILTER 3" WITH "REUSABLE" 55 MESH FILTER
- VACUUM PRESSURE TREE WITH 2" BRASS PRESSURE RELIEF VALVE, 1 1/2" BRASS VACUUM RELIEF VALVE & 2 1/2" LIQUID FILLED VACUUM PRESSURE GAUGE
- POWDER COATING & ASSEMBLY

R260 JURO-PAK
PART # 1004-0260

HYDRAULIC R260 JURO-PAK
PART # 1004-0260-HYD

R260 RAZOR-PAK
PART # 1004-0260-RAZ

