

PROJECT: TYPE:

LOCATION: CAT:



Black

Description

Use Commercial Grade Light String for decorative, event oriented, or festive lighting applications.

Features

- cETLus Listed 14AWG SJTW 3-wire light string in 48ft interconnectable kits with 120V plug and socket (interconnectable male/female ends)
- Formulated PVC sockets form a tight seal around bulbs to preclude the entrance of water and moisture
- Suspended socket has T-mold with mounting hole at top
- Use with E26 base Long Life Incandescent Lamps or Pro Decorative Lamps (sold separately)

Mounting

For spans up to 20 feet, use eye bolts and plastic ties to anchor ends. For spans longer than 20 feet, use catenary cable (sold separately) with plastic ties at each socket.

Applications

Patios, overhangs, outdoor living areas, tents for weddings or festivals, event lighting



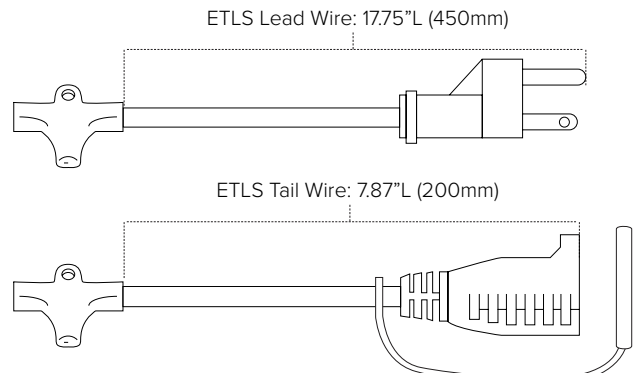
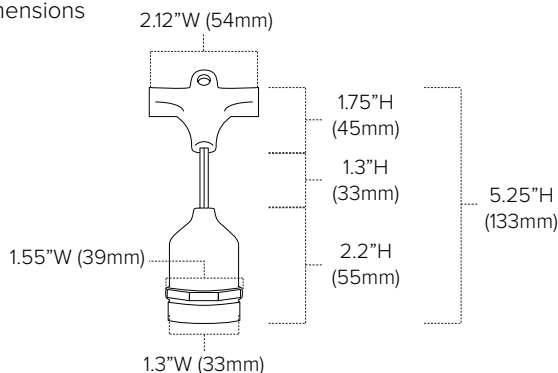
Technical Information

| | |
|----------------------|---|
| Series | ETLS-MS-24-48-BK |
| Length | 48ft |
| Socket Type | Suspended E26 Base |
| Socket Spacing | 24" |
| Total Sockets | 24 |
| Wire Color | Black |
| Wire Type | 14AWG SJTW 3-wire with 120V plug and socket (interconnectable male/female ends) |
| Voltage | 120V AC, 60Hz |
| Max Watts Per Socket | 40 watts max per socket |
| Max Run | Interconnectable up to 1440 watts |
| Cuttability | See warnings below* ** |
| Rating | cETLus Listed; Indoor/Outdoor; Suitable for year-round use*; IP64** |
| Rated Life | Varies by lamp used |

* All ETLs interconnect-able kits are cETLus Listed for wet location use, however safety rating is void if product is cut. Not intended for installation in ceilings, soffits, cabinets or other enclosed spaces.

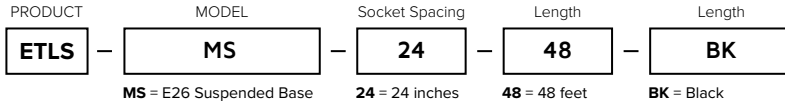
**For non-cut cETLus Listed LS2 product, interconnected strings must be properly sealed and strain relief protected with electrical tape at each connection point. For non-rated LS product, any cut ends must be sealed with LS-M/MS-END and/or electrical tape (ensure proper seal to preclude entrance of water). Keep lamps at least 4.9m/16ft away from pools and spas.

ETLS-MS Socket Dimensions



Ordering Information

120V ETL Series 48ft Interconnectable Sets



120V ETL Series 48ft 'Cord and Plug' Sets Include:
(1) 48ft length of ETL series commercial grade light string with 120V plug and socket (interconnectable male/female ends)

Accessories

| Image | Item | Description |
|-------|------------------|--|
| | Compatible Lamps | Pro Decorative Series: PS14-E26, PA15-E26, PG50-E26, PG45-E26, and PG40-E26 Standard LED Series: S14-LED Long Life Incandescent B-Series: B7.5S11 and B11S14 |
| | LS-CABLE-60 | 60ft Catenary Cable Kit Includes: (1) 60ft length of 1/8" diameter catenary/guide cable for light string installation, (2) Heavy duty cable locks, and (1) Cable release key |
| | LS-CABLE-110 | 110ft Catenary Cable Kit Includes: (1) 110ft length of 1/8" diameter catenary/guide cable for light string installation, (2) Heavy duty cable locks, and (1) Cable release key |
| | LS-CABLE-500 | 500ft Catenary Cable Bulk Reel Includes: (1) 500ft length of 1/8" diameter catenary/guide cable for light string installation |
| | LS-LOCK-4 | (4) Heavy duty cable locks for 1/8" catenary cable; Support loads up to 330lbs; Includes cable release key |
| | LS-TT | Tensioning Tool; use to eliminate sag from catenary cable. Never tighten cable before load is attached; Never over-tighten cable |

Additional Information

SUSPENDING LIGHT STRINGS:

Light sockets must be suspended so that bulbs are facing down only. **DO NOT MOUNT THE LIGHT STRINGS WITH SOCKETS FACING UPWARD!**

- Light string must be securely attached to a support structure at each end of each span. The maximum unsupported span distance for 48' Cord & Plug Light String is 20 feet (10 sockets).
- Secure light string to supporting hardware (eyebolts, brackets, etc., not provided) using cable ties (not included). See Figure 1.
- Cover the unused female receptacle at the last light string with attached end cap and electrical tape to preclude the entrance of water.
- For spans exceeding 20 feet, use properly rated cable support system and cable ties (neither are provided with the light string) and follow local codes for suspended cables and loads. See www.americanlighting.com for steel cable support systems, if needed.

