

PROJECT:  TYPE:

LOCATION:  CAT:



Graphite

**Description**

FrameWRX Bloom series of exterior lights including sconce, bollard, and path light.

**Features**

- Sconce, Bollard, or Path light
- Painted aluminum body with diffuse polycarbonate lens
- Class I fixture
- cETLus Listed for wet locations

**Mounting**

Surface mount

**Applications**

Architectural and Security Lighting; Residential or light commercial

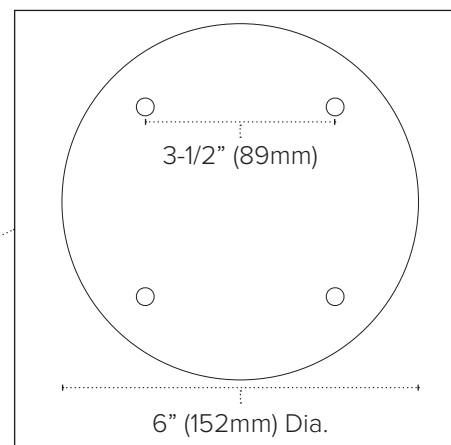
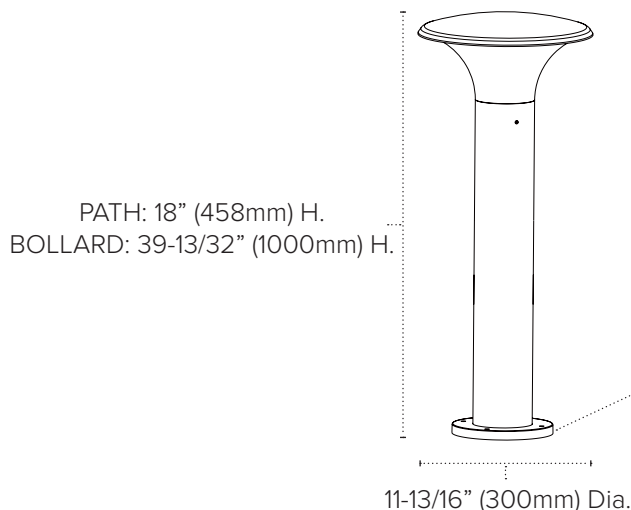
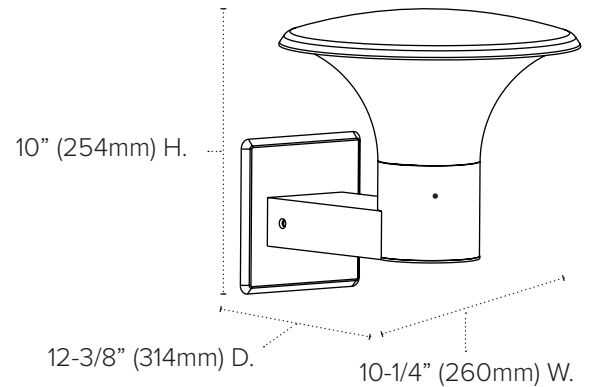
**Warranty**

3 years

## Technical Information



Model	SCO-BLOOM	BOL-BLOOM	PATH-BLOOM
Type	Sconce	Bollard	Path
Voltage	120-277V AC	120-277V AC	12V AC
CCT	3000K		
CRI	90+		
Wattage	10W	10W	10W
Lumens	up to 820Lm	up to 820Lm	up to 820Lm
Beam Angle	120°	120°	120°
Dimming	N/A		
Rating	cETLus, wet locations		
Rated Life	30,000 Hours		



## Ordering Information



SCO = Sconce  
BOL = Bollard  
PATH = Path Light

**FrameWRX Exterior Bloom Sconce Includes:**

(1) Bloom LED Sconce Fixture  
Mounting Hardware

**FrameWRX Exterior Bloom Bollard Includes:**

(1) Bloom LED Bollard Fixture  
Mounting Hardware

**FrameWRX Exterior Bloom Path Light Includes:**

(1) Bloom LED Path Light Fixture  
Mounting Hardware


Example Part # **SCO-BLOOM-GT**



## Recommended Power Supplies (12V AC Path Lights Only)

Part Number	Description	Finish	Primary & Secondary	Total Wattage	Listing	Dimensions
LED-TR-30-12	12V DC - 30W Magnetic Transformer	Black	120V AC / 12V AC	30W (40% minimum)	cETLus Listed; Nema 3R - Indoor and outdoor	6"L x 3-1/8"W x 1-1/2"H
LED-TR-60-12	12V DC - 60W Magnetic Transformer	Black	120V AC / 12V AC	60W (40% minimum)	cETLus Listed; Nema 3R - Indoor and outdoor	9-1/4"L x 3"W x 3"H
LED-TR-100-12	12V DC - 100W Magnetic Transformer	Black	120V AC / 12V AC	100W (40% minimum)	cETLus Listed; Nema 3R - Indoor and outdoor	9-1/2"L x 4"W x 4"H
LED-TR-150-12	12V DC - 150W Magnetic Transformer	Black	120V AC / 12V AC	150W (40% minimum)	cETLus Listed; Nema 3R - Indoor and outdoor	9-1/2"L x 4"W x 4"H

## Accessories

Image	Part Number	Description
	PATH-SMS	Path light soil mounting stake; 20-1/2"H with 8" x 6-3/4" mounting plate and grid support

## Additional Information

For a rain-tight seal, apply silicone caulking around the perimeter of the housing where it contacts the mounting surface

## NOTES

---



---



---



---



---