



## Features

- 3000K color temperature
- High color rendering (85+ CRI)
- 350mA constant current
- 2" diameter with 30° axial swivel
- Mini swivel visor version available
- Includes a field-installable lens to change from the installed 25° optic to a 80° beam angle
- Easy install with spring steel mounting tabs
- Dimmable with 350mA constant current driver
- Uses hub style (series) power distribution
- Suitable for indoor dry locations
- 50,000 hours rated life

## Available Finishes



White



Satin Aluminum



Black

## Dimming Options

- ELV dimmers or most CL dimmers with LED-DR18-350D2 (10-100%, 3-12 mini swivels)

## Listing / Ratings

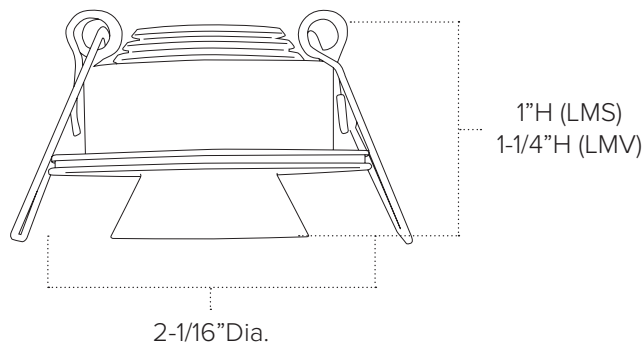
- Dry Location

## Mini Swivel

Mini Swivels have a 25° optic installed and include a 80° spare optic that is field replaceable as needed. Tilt the swivel up to 30° in any direction to light kitchen cabinet interiors, highlight displays, and accent architecture. For a daisy chain layout, use multiples of LED-CON2-350, filling each port with an LMS, LMV or an end cap.

## Technical Information

Series	LMS / LMV
Input Voltage	350mA
CCT	3000K
CRI	85+
Wattage	1.25W
Lumens	Up to 68Lm (see individual product)
Beam Angle	25°
Max Run	Up to 14 fixtures
Dimmable	10-100% (requires LED-DR18-350D2)
Mounting	Recess mount (1-7/8" cut-out)
Rating	Dry location
Rated Life	50,000 hrs



## Mini Swivel



Mini Swivel - White  
1.25W / 68Lm  
**LMS-WH**



Mini Swivel - Satin Aluminum  
1.25W / 62Lm  
**LMS-AL**



Mini Swivel - Black  
1.25W / 65Lm  
**LMS-BK**



Mini Visor Swivel - White  
1.25W / 67Lm  
**LMV-WH**

LMS and LMV Swivels Include: (1) 38" lead wire with 350mA connector / (1) 80° optic

## Mini Swivel Accessories



6-Port Hub  
78" lead / 3 terminal plugs  
**LED-CON6-350**



3-Port Hub  
78" lead / 1 terminal plug  
**LED-CON3-350**

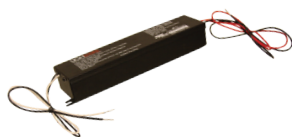


2-Port Hub  
78" lead  
**LED-CON2-350**



Terminal Plug  
Use to fill ports on hubs  
**LED-END-350**

## Mini Swivel Power Supplies



350mA 18W Hardwire Driver  
120-277V AC input / Class 2  
cURus / Dimmable (3-12 fixtures)  
**LED-DR18-350D2**



350mA 16W Hardwire Driver  
100-240V AC input / Class 2  
cURus / Non-dimming (3-11 fixtures)  
**LED-DR16-350**



350mA 6W Hardwire Driver  
100-277V AC input / Class 2  
cURus / Non-dimming (1-4 fixtures)  
**LED-DR6-350**

For more information on 350mA power supplies, see pages 240-242