



Features

- 3000K color temperature
- High color rendering (85+ CRI)
- 700mA constant current operation
- 2" diameter with 30° axial swivel
- Easy to install with spring steel mounting tabs
- Dimmable with 700mA constant current driver
- Uses hub style (series) power distribution
- Suitable for indoor dry locations
- 50,000 hours rated life

Available Finishes



Satin Aluminum

Dimming Options

- ELV dimmers or most CL dimmers with LED-DR36-700D (10-100% 3-10 swivels)

Listing / Ratings

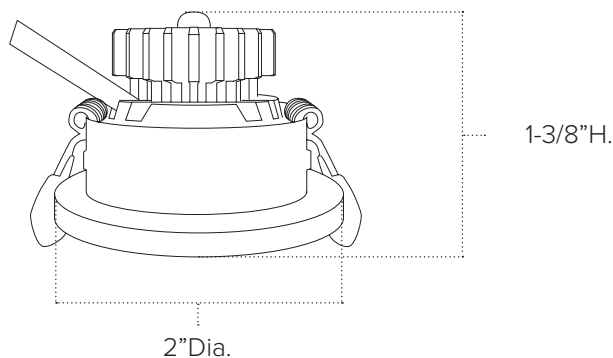
- Dry Location

High Power Swivel

This highly focused recessed spotlight has a swivel feature to direct light where it is needed. Use in display cases, in-cabinet lighting, retail environments, and built-ins. The sleek brushed aluminum finish provides a modern look and the high power LED provides bright, energy efficient LED lighting with a CRI of 85+. Use a variety of required hubs on the facing page, sold separately. For a daisy chain layout, use multiples of LED-CON2-700, filling each port with an HPS-AL or an end cap.

Technical Information

Series	HPS
Input Voltage	700mA
CCT	3000K
CRI	85+
Wattage	3.25W
Lumens	165Lm
Beam Angle	15°
Max Run	Up to 10 (dimming) / 7 (non-dimming)
Dimmable	10-100% (requires LED-DR36-700D)
Mounting	Recess mount (1-3/4" cut-out)
Rating	Dry location
Rated Life	50,000 hrs



High Power Swivel



High Power Swivel
3.25W / 165Lm

HPS-AL

HPS-AL Includes: (1) 17" lead wire with 700mA connector

High Power Swivel Accessories



6-Port Hub
78" lead / 3 terminal plugs
LED-CON6-700



3-Port Hub
78" lead / 1 terminal plug
LED-CON3-700



2-Port Hub
78" lead
LED-CON2-700



Terminal Plug
Use to fill ports on hubs
LED-END-700

High Power Swivel Power Supplies



700mA 36W Hardwire Driver
120-277V AC input / Class 2
cURus / Dimmable (2-10 fixtures)
LED-DR36-700D



700mA 25W Hardwire Driver
100-240V AC input / Class 2
cURus / Non-dimming (3-7 fixtures)
LED-DR25-700



700mA 12W Hardwire Driver
100-240V AC input / Class 2
cURus / Non-dimming (1-3 fixtures)
LED-DR12-700

For more information on 700mA power supplies, see pages 243-245