



PUBLIC
SERVICE
PROTECTION

AKRON CROWD CONTROL SYSTEMS

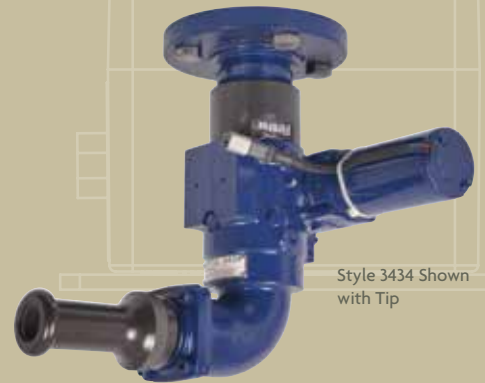


Introduced into the Public Safety Sector, vehicle riot control water cannons provide more effective crowd control for your public order operations. Emergency crowd control systems aid in non-lethal defense for the protection and safety of others. These systems are ideal for enforcing public order and crowd dispersal.

Akron Brass Crowd Control Systems are technologically advanced, easily installed and built to last. Each system is designed by the customer giving you the largest choice of customization for this type of application.



Style 3563 Shown with Tip & Stream Shaper



Style 3434 Shown with Tip



Point And Aim Joystick



Universal II Logic Box



Standard Joystick

330.264.5678 | Fax 330.264.2944 | www.akronbrass.com

© Copyright 2015 Akron Brass Company. All rights reserved. No portion of this can be reproduced without the express written consent of The Akron Brass Company. (1/15).

SYSTEM ADVANTAGES

Distributed Control Architecture:

Each water cannon has an independent control system eliminating the possibility of total system failure due to one component. All the components and electronics are networked and can be fitted and crafted to your specific requirements. Water cannon controls can be updated via built-in USB ports; therefore, special software is not needed.

Reliable Performance:

This technology is paired with solid-built water cannons that are referred to by customers as the most resistant and accurate in the world. Water can be delivered as a continuous stream or in pulses; as a jet stream or as a spray. High speed proportional control allows for quick, precision targeting to neutralize specific threats.

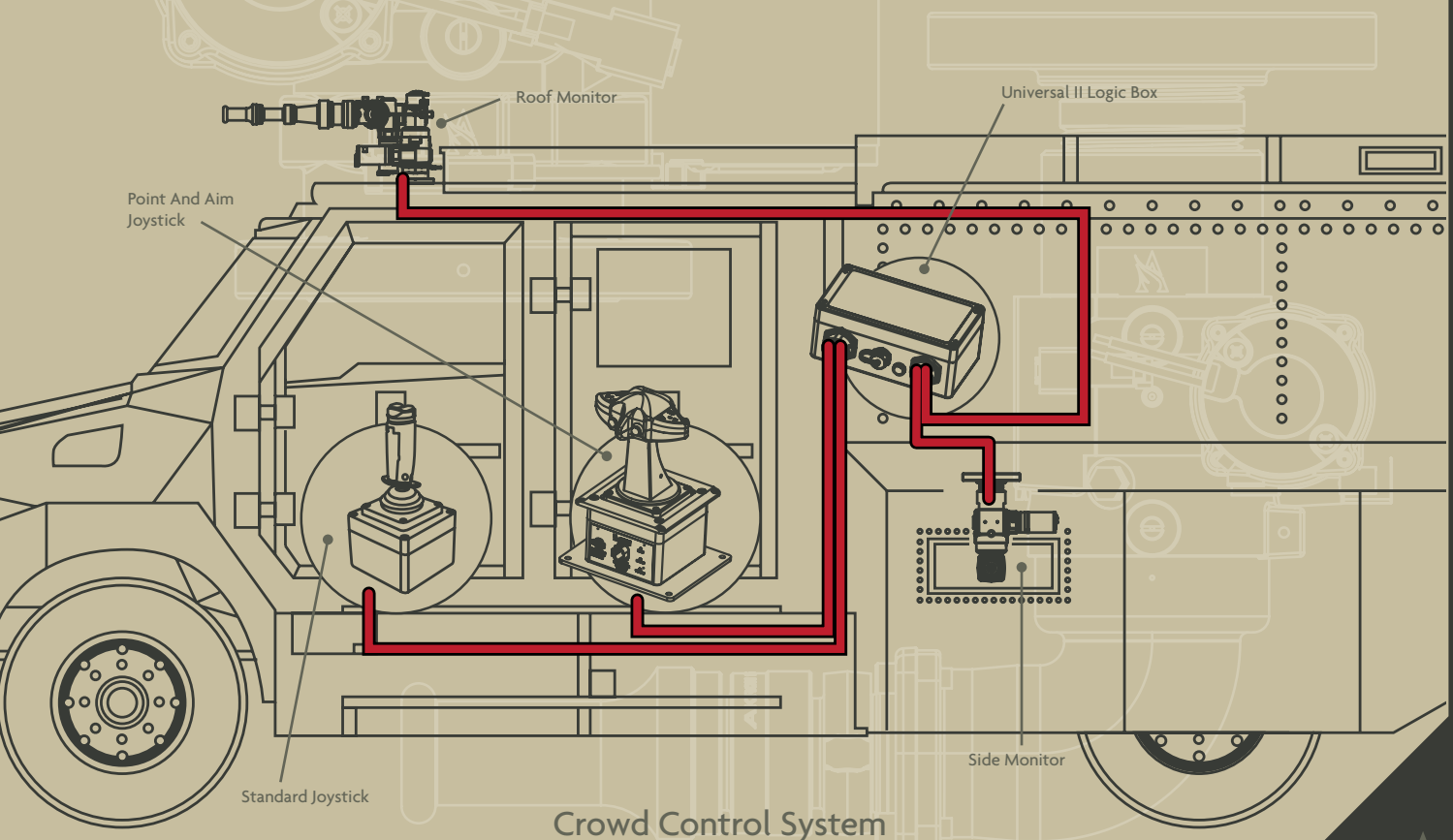
Intuitive Operation:

The Point and Aim Joystick gives the user a visual indication of the cannon position and uses instinctive movements providing faster target acquisition and effectiveness of use.



Comprehensive Custom Package:

The water cannons along with advanced electronics provide you with a most viable, state-of-the-art solution in today's market. Package is engineered to customer specific requirements.



Crowd Control System Features

- Highly engineered monitor control systems
- USB port for software update
- “Point and aim” response technology
- Quick, precise targeting
- Straight stream, adjustable or fixed flow nozzle options
- Programmable pulse – jet stream options
- Customize to your crowd control needs
- Easy installation
- Low maintenance
- Manual override
- Proven technology
- 10 Year warranty
- Local technical support from the industry’s largest factory direct employees



Style	Flow Rate	Max Pressure	Outlet	Inlet	Weight	Travel		Nozzle Options
						Vertical	Horizontal	
3563	500 GPM 100 PSI (1900 LPM @ 7 bar)	200 PSI (14 bar)	2 1/2" (65 mm)	2 1/2" NPT (65 mm) 2 1/2" or 3" FLG (65 mm or 75 mm)	25 lbs (11 Kg)	+90° to -45°	0°-320°	Solid bore, Adjustable or fixed flow
3563 <i>With Optional High Speed Valve</i>	200 GPM 100 PSI (750 LPM @ 7 bar) <i>For Pulse-Stream Option</i>	150 PSI (10 bar)	1 1/2" (38 mm)	2" NPT, 2 1/2" NPT (51 mm or 65 mm) 2 1/2" or 3" FLG (65 mm or 75 mm)	25 lbs (11 Kg)	+90° to -45°	0°-320°	Solid bore, Adjustable or fixed flow
3434	300 GPM 100 PSI (1140 LPM @ 7 bar)	200 PSI (14 bar)	1 1/2" (38 mm)	2" NPT, 2 1/2" NPT (51 mm or 65 mm) 2 1/2" or 3" FLG (65 mm or 75 mm)	-	NA	0°-180°	Solid bore, Adjustable or fixed flow



ISO 9001: 2000 Registered Company

330.264.5678 | Fax 330.264.2944 | www.akronbrass.com

© Copyright 2015 Akron Brass Company. All rights reserved. No portion of this can be reproduced without the express written consent of The Akron Brass Company. (1/15)