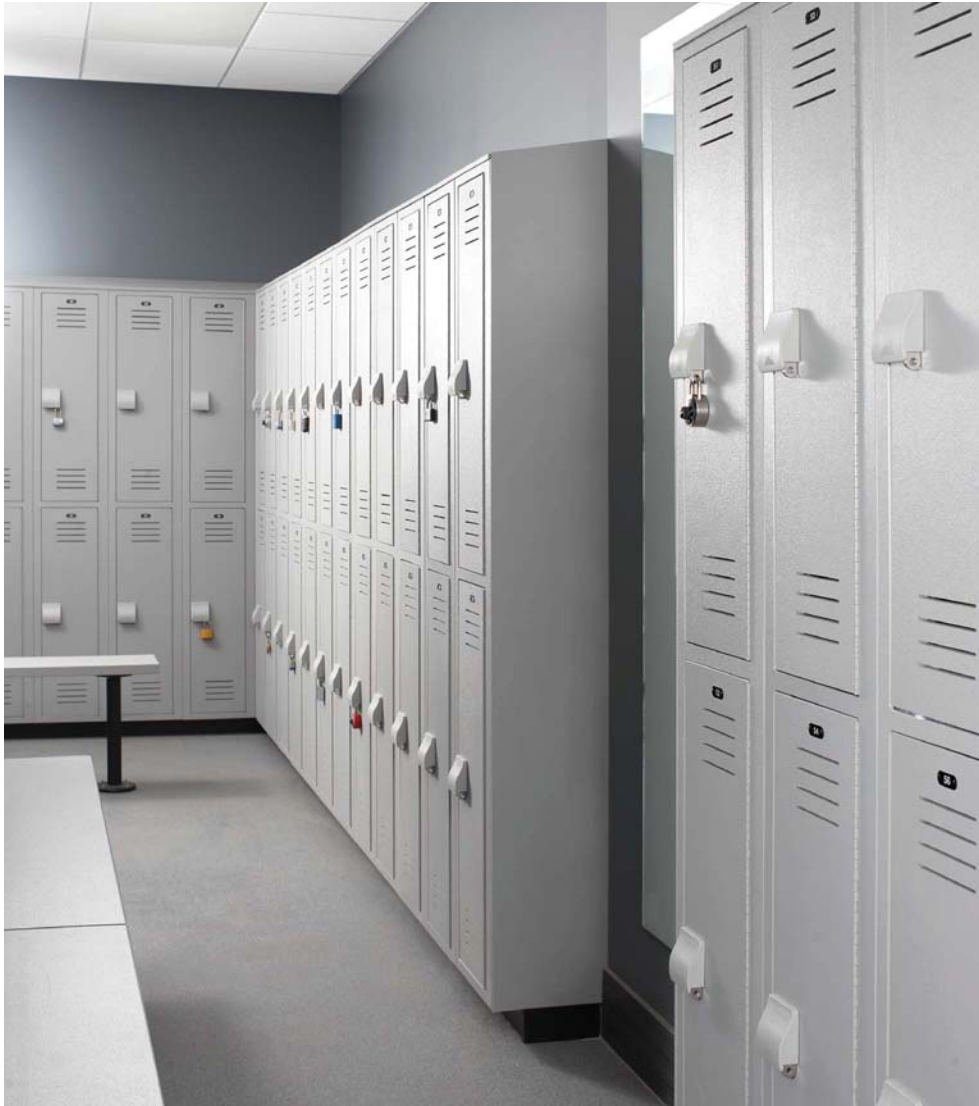


# Lenox<sup>®</sup> Lockers

Lenox Lockers from Bradley are practical & durable. With exclusive, patented features you can't find anywhere else, they are the preferred specification for locker rooms.



Bench Lockers  
Cubby Lockers  
Gear Lockers  
Lenox<sup>®</sup> Lockers

Pedestal Benches  
XL-Lockers  
Z-Lockers

[BRADLEYCORP.COM](http://BRADLEYCORP.COM)

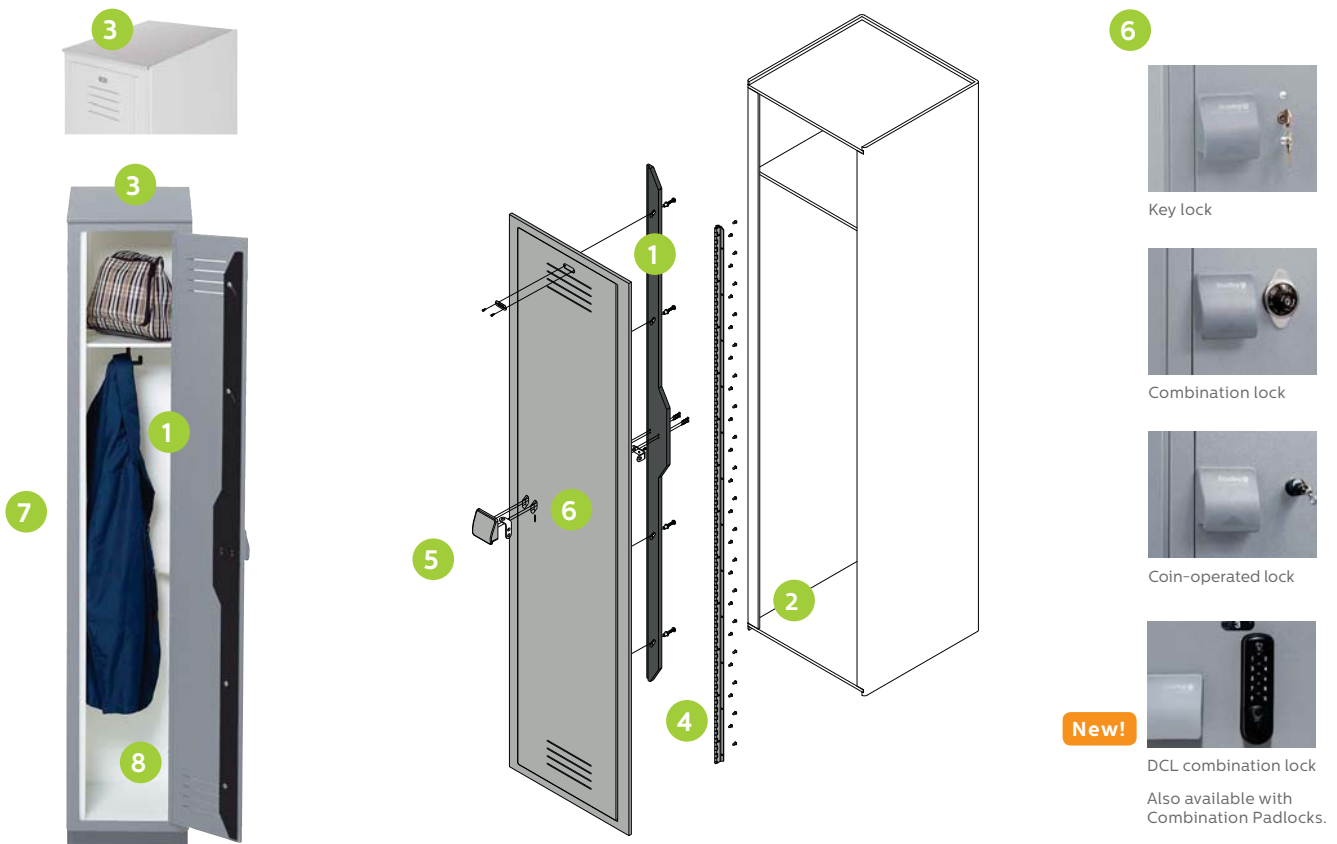


# Lenox Lockers

Practical. Durable. Preferred. Lenox Lockers are the preferred specification in locker rooms all over the country.

## The Lenox Locker Advantage

- 1 Most secure locking/latch system available: patented continuous slide latch made of 1/2" (127mm) thick High-Density Polyethylene (HDPE) secures the entire length of the door
- 2 Patented integral box provides strength: top and bottom are welded to frame; door and frame assembly is welded to box
- 3 Optional slope top helps prevent items being stacked on top
- 4 Heavy-duty stainless steel piano hinge is more durable and longer lasting than aluminum or plastic
- 5 Ergonomically-designed handle with concealed stainless steel hasp
- 6 Multiple locking mechanism options offer great variety
- 7 Fully-assembled product for fast, easy installation
- 8 Made from 30% pre-consumer content , 100% pre-consumer content or 100% post-consumer content



# Need more space?

Lenox Gear Locker and XL-Locker styles are Bradley's latest additions. Gear Lockers are wider and deeper and have plenty of secure storage space to accommodate all types of bulky equipment and gear. XL-Lockers are extra deep for up to 30% more space than standard lockers.



## Gear Locker

Secure Your Gear! Extra width & depth – Perfect for bulky items

- Ship fully assembled for quick, easy installation
- Soft-Down Stay slow close hinge on storage bin – no slamming or pinched fingers
- Perfect for fire and police departments, locker rooms, recreation and fitness facilities

Height: 72" (1829mm)

Width Options: 24", 30" or 36" (609mm, 762mm, or 914mm)

Depth Options: 18", 21" or 24" (457mm, 533mm, or 610mm)



## XL-Locker

Extra deep for up to **30% more space**

- Room for coats to hang neatly on hangers
- Standard fast lead-time
- Available in Standard, Z-Locker and Cubby Locker styles

Height: 24", 36", 48", 60" or 72" (609mm, 914mm, 1219mm, 1524mm, or 1829mm)

Width Options: 12", 15" or 18" (305mm, 381mm, or 457mm)

Depth Options: 21" or 24" (533mm 609mm)



Lenox Locker shown in 1 tier style with base



Lenox Lockers shown in 2 tier and 4 tier styles

## Standard Locker

Height: 24", 36", 48", 60" or 72" (609mm, 914mm, 1219mm, 1524mm, or 1829mm)

Width Options: 12", 15" or 18" (305mm, 381mm, or 457mm)

Depth Options: 12", 15" or 18" (305mm, 381mm, or 457mm)

Tiers: 1 - 6

6-tier: 72" (1829mm) height only



## Z-Locker

Height: 60" or 72" (1524mm, or 1829mm)

Width Options: 15" or 18" (381mm, or 457mm)

Depth Options: 12", 15" or 18" (305mm, 381mm, or 457mm)

Tiers: 2

Lenox Z-Lockers provide practical multi-level storage without wasted floor space



Lenox Gear Lockers with custom logo option installed in the United States Naval Academy Women's Crew Team facility

## Most made-to-order options

- Built-in key locks
- Built-in combination locks
- Coin-operated locks
- Digital combination locks
- Combination padlocks
- Engraved logos
- End panels
- Number plates
- Filler panels
- Plastic coat hooks
- Metal wall hooks
- Bases
- Slope tops
- Drain holes
- Flat tops
- Mesh doors
- Coat rods

### Cubby Bench

Convenient seating and easy-access storage.



### Cubby Locker

Easy-access, durable cubby lockers are perfect for items that do not require locked storage.

(Three cubby lockers pictured.)



### Locker Bench

Convenient seating and storage with hasp lock.



### Pedestal Bench

Locker room benches complete the long line of solid plastic products for your restroom and locker room applications.



Visit [bradleycorp.com](http://bradleycorp.com) for technical information about Bradley's entire line of Lenox Lockers.



## Metal lockers don't stand a chance.

Quick installation and low maintenance costs add up to a 50% life cycle cost savings with Lenox Lockers.

### Cost Savings with Lenox Lockers

Over time, metal lockers become dented and rusted like the tired looking example at left. Maintaining 50 metal lockers for 20 years with four paint jobs and two door replacements per locker could cost \$31,000!

Plastic lockers may require additional investment up front, but significant savings on repairs and maintenance will make up the difference over Lenox Lockers' 20-year life cycle.

### 20-Year warranty

Never paint a locker again! You get maintenance-free lockers that still look new after years of use. Even spray paint and magic markers are easily removed with standard cleaning products. All plastic locker parts and components carry a 20-year warranty against rust, corrosion, denting and delaminating under normal use. Normal use definition: Lockers installed in a climate-controlled environment, away from direct sunlight.

### U.S. Patents

6,685,285; 6,792,661;  
6,793,299; 7,029,078;  
7,223,317; 7,278,695; 7,510,249;  
7,699,412; 7,789,471; 8,113,602  
Other patents pending

20-year life cycle	metal lockers	lenox lockers
Paint 4 times @ \$100* per locker	\$20,000	\$0
Replace doors 2 times @ \$110* per locker	\$11,000	\$0
<b>Cost to maintain 50 Lockers</b>	<b>\$31,000</b>	<b>\$0</b>

\*Estimated cost

# HDPE Solid Plastic

Unlike metal, Lenox Lockers are constructed from corrosion-proof, high-density polyethylene (HDPE) material that won't rust or dent.

- More resistant to scratches & easier to repair than metal
- GREENGUARD certified as a low emitting material
- 100% post-consumer HDPE recycled material available in three colors

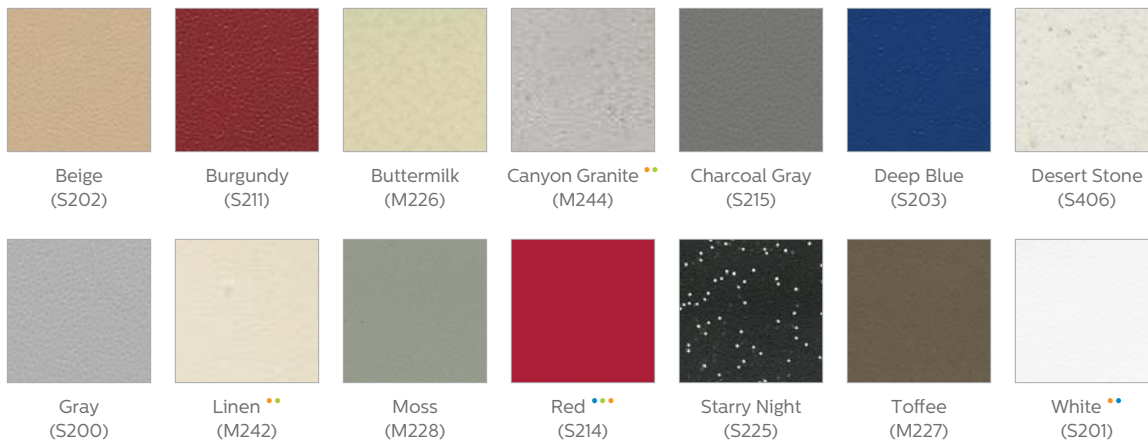
- Locker Benches NOT available in these colors
- Pedestal Benches NOT available in these colors
- Gear Lockers NOT available in these colors

Due to printing variances, the actual material color may differ. See color options on [bradleycorp.com](http://bradleycorp.com) or contact your local Bradley Representative for samples.

On average, each Lenox Locker keeps more than **500 milk jugs** out of landfills, which = **242.5 kWh** in Delivered Electricity Equivalent, which = **2,828.73 Thousand Btu** in Net Energy Savings, which = enough energy saved to run a...



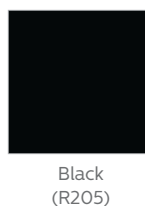
## Bradmar 30% Pre-consumer Colors



## Bradmar 100% Post-consumer Colors



## Bradmar 100% Pre-consumer Color



+1 262 251 6000  
800 BRADLEY [bradleycorp.com](http://bradleycorp.com)  
W142 N9101 Fountain Boulevard  
Menomonee Falls, WI USA 53051  
3787-7.5-0718

