



FireFox™ Monitor™



**Tested...
Proven...
Trusted.**

STYLE 3463

The FireFox, an Electric Monitor from Akron®, is a technologically advanced remote controlled monitor with flows from 15 to 500 gpm (60 to 1900 lpm). The FireFox Monitor is designed to meet various water, foam, CAFS, and dry chemical needs. This versatile monitor can be used for wildland and crash truck turret applications, de-icing*, fixed site facility, arena protection and many other unique applications.

* Must specify for de-icing application.

| STYLE | WEIGHT LBS. | IN STOWED POSITION | | | INLET | OUTLET | FLOW | |
|-------|----------------|--------------------|-------|---------|------------------|---------------------|------|------|
| | | HEIGHT | WIDTH | DEPTH | | | GPM | LPM |
| 3463 | 31 | 11 3/4" | 11" | 11 1/2" | 2" or 2 1/2" NPT | 1 1/2" or 2 1/2" NH | 500 | 1900 |

**Weight includes Nozzle

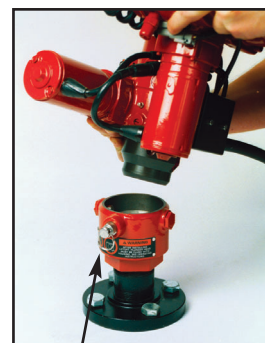
- 320° horizontal travel with adjustable stops at +/- 90°
- 135° vertical travel (+90° to -45°) with adjustable stops at +45° and -20°

Must specify

- Automatic Oscillation & Stow
- Remote 2" or 2 1/2" Electric Valve
- 12 or 24 volt (24 volt CE approved)
- 2" Quick Disconnect

ADJUSTABLE FLOWS AVAILABLE

| Flow | | GPM | | | | LPM | | | |
|-------------|-----|------|------|------|------|-----|-----|-----|-----|
| | | 30 | 60 | 95 | 125 | 115 | 230 | 360 | 475 |
| Low Flow | GPM | 30 | 60 | 95 | 125 | | | | |
| | LPM | 115 | 230 | 360 | 475 | | | | |
| Medium Flow | GPM | 125 | 175 | 250 | 350 | | | | |
| | LPM | 475 | 660 | 950 | 1325 | | | | |
| High Flow | GPM | 350 | 400 | 450 | 500 | | | | |
| | LPM | 1325 | 1525 | 1700 | 1900 | | | | |

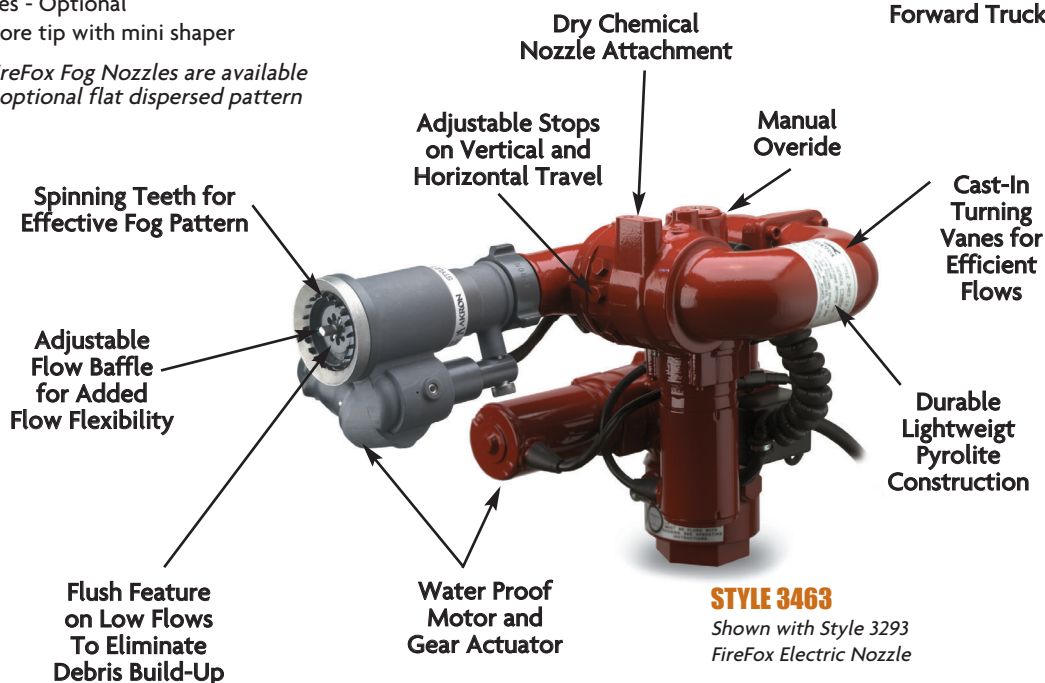


2" Quick-Disconnect, Ideal for Cab Forward Trucks

Nozzle Options:

- Adjustable or Single Fixed Flow Baffle from 15 to 500 gpm (60 to 1900 lpm)
- Dry Chemical Nozzle - Optional
- Foam Tubes - Optional
- Smooth bore tip with mini shaper

Note: All FireFox Fog Nozzles are available with optional flat dispersed pattern



STYLE 3463

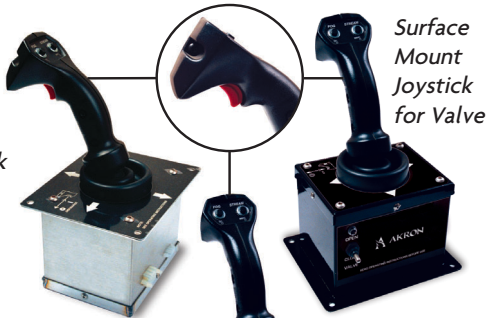
Shown with Style 3293 FireFox Electric Nozzle



FireFox™

ADDITIONAL FEATURES

Panel Mount Joystick for Valve



Surface Mount Joystick for Valve

Joystick for Valve, Stow & Auto Oscillation



Standard Joystick

Standard Joystick for Valve



Surface Mount Control Box



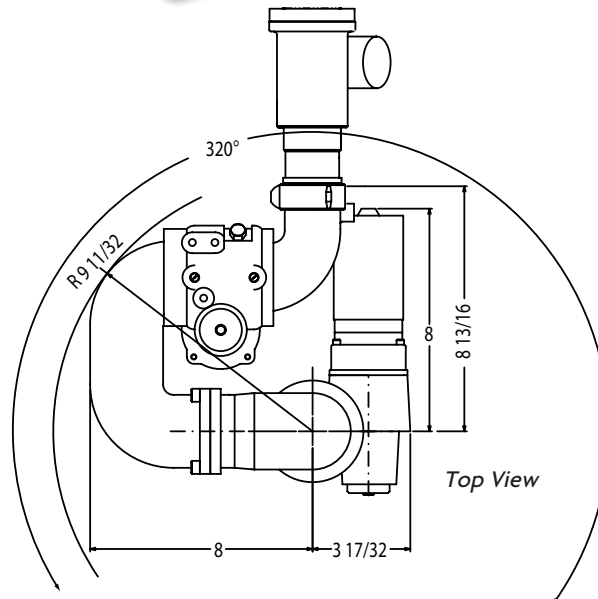
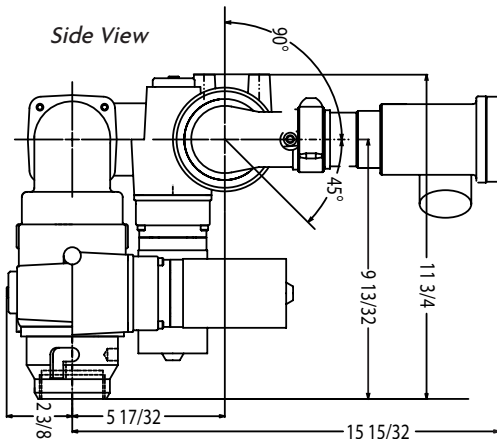
Panel Mount Control Box



Surface Mount Control Box for Electric Valve



FireFox available with Potentiometer for Position Indicator Option



WWW.AKRONBRASS.COM



AKRON
BRASS COMPANY
ISO 9001:2000 Registered Company

In U.S./International
Akron Brass Company
PH: 330.264.5678
FAX: 330.264.2944

Available in
Canada through:
Akron Manufacturing
Company
PH: 519.773.8431
FAX: 519.773.3794

IN THE U.S. CALL 1.800.228.1161 | FAX 1.800.531.7335