





# **MECHANICAL ANCHORS** **PLASTERBOARD**

# ZIP-IT® PLASTERBOARD ANCHORS

## DESCRIPTION

- One piece self drilling anchor designed for use in plasterboard for light duty loads
- Includes screws

## APPLICATIONS

Light duty applications including:

- Brackets
- Mirrors
- Signage
- Light bathroom fittings

## MATERIALS



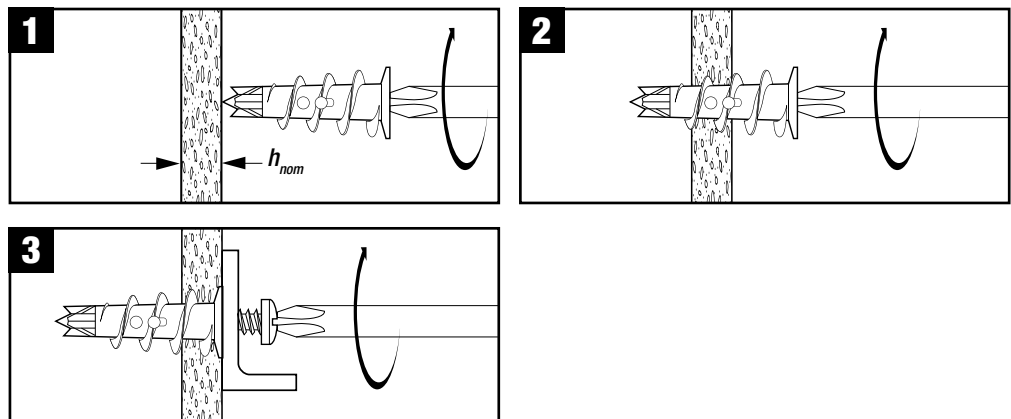
See front cover foldout for details.

## PRODUCT OVERVIEW



Cat No.	Description	Box	Blister Pack	Pack Qty
DFM4110000	Metal	•		100
DFM411000P	Metal		•	10
DFM4120000	Nylon	•		100
DFM412000P	Nylon		•	10

## INSTALLATION INSTRUCTIONS



## RECOMMENDED LOADS - PLASTERBOARD - ZIP-IT®



$$\frac{N_{Rk}}{\gamma_M \cdot \gamma_F} = N_{rec}$$

$\gamma_M = 2.1 \quad \gamma_F = 1.4$

Plasterboard thickness $h_{nom}$	$N_{rec}$ & $V_{rec}$ [kN]
12.5mm	0.04
25mm	0.07

## EXTREME® IMPACT TORSION

### DT70523T

**32PC SCREWDRIVING SET WITH MAGNETIC BIT TIP HOLDER**



### DCD991 18V XR LI-ION BRUSHLESS PREMIUM DRILL DRIVER



Visit [www.DeWALT.com](http://www.DeWALT.com) for more information

# ZIP-TOGGLE™

## DESCRIPTION

- Self drilling hollow plasterboard anchor
- Includes screws

## APPLICATIONS

Light duty applications including:

- Brackets
- Mirrors
- Signage
- Light bathroom fittings

## MATERIALS



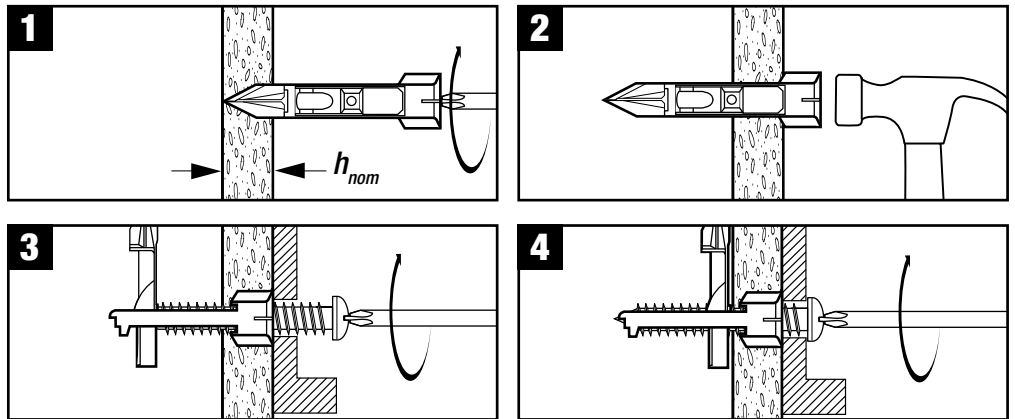
See front cover foldout for details.

## PRODUCT OVERVIEW



Cat No.	Length [mm]	Box	Blister Pack	Pack Qty
DFM4570000	50	•		50
DFM457000P	50		•	10

## INSTALLATION INSTRUCTIONS



## RECOMMENDED LOADS - PLASTERBOARD - ZIP-TOGGLE™

12.5mm

$$\frac{N_{Rk}}{\gamma_M \cdot \gamma_F} = N_{rec}$$

$\gamma_M = 2.1 \quad \gamma_F = 1.4$

Plasterboard thickness $h_{nom}$	$N_{rec}$ & $V_{rec}$ [kN]
12.5mm	0.13

## EXTREME®

### MASONRY DRILL BITS ROUND SHANK PERCUSSION

UNIQUE DESIGN FOR  
MAXIMUM DURABILITY  
WITH AN ANTI-SLIP SHANK



## DCD996

18V XR LI-ION  
BRUSHLESS  
PREMIUM  
HAMMER  
DRILL DRIVER



Visit [www.DeWALT.com](http://www.DeWALT.com) for more information

# LEGS™ WALL ANCHORS

MECHANICAL ANCHORS

## DESCRIPTION

- Fast and easy to use expansion anchor designed for use in wallboard
- The anchor has a pierce point, requiring no pre-drilling
- Includes screws

## APPLICATIONS

Light duty applications including:

- Curtain hooks
- Pictures and mirrors

## MATERIALS



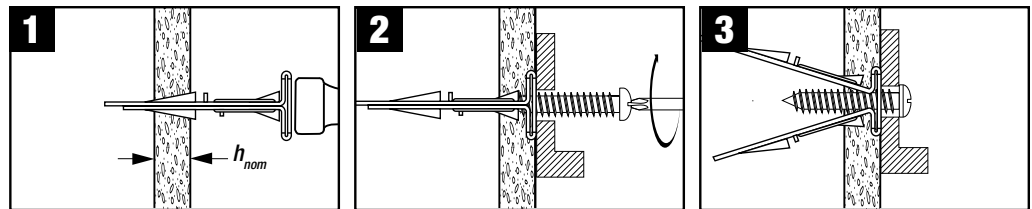
See front cover foldout for details.

## PRODUCT OVERVIEW



Cat No.	Length [mm]	Box	Blister Pack	Pack Qty
DFM4470000	35	•		100

## INSTALLATION INSTRUCTIONS



## RECOMMENDED LOADS - PLASTERBOARD - LEGS™



$$\frac{N_{RK}}{\gamma_M \cdot \gamma_F} = N_{rec}$$

$\gamma_M = 2.1 \quad \gamma_F = 1.4$

Plasterboard thickness $h_{nom}$	$N_{rec}$ & $V_{rec}$ [kN]
12.5mm	0.04

**EXTREME®** **IMPACT TORSION**

**DT70523T**  
**32PC SCREWDRIVING SET WITH MAGNETIC BIT TIP HOLDER**



**DCD991**  
**18V XR LI-ION BRUSHLESS PREMIUM DRILL DRIVER**



Visit [www.DeWALT.com](http://www.DeWALT.com) for more information

# ST STRAP TOGGLE™

## DESCRIPTION

- Easy to install toggle fixing
- Hollow wall anchor for higher loads
- Reusable in the same hole (remove the bolt without losing the anchor)

## APPLICATIONS

Light duty applications including:

- Pictures and mirrors
- Light sanitary fixings
- Metal brackets

## MATERIALS



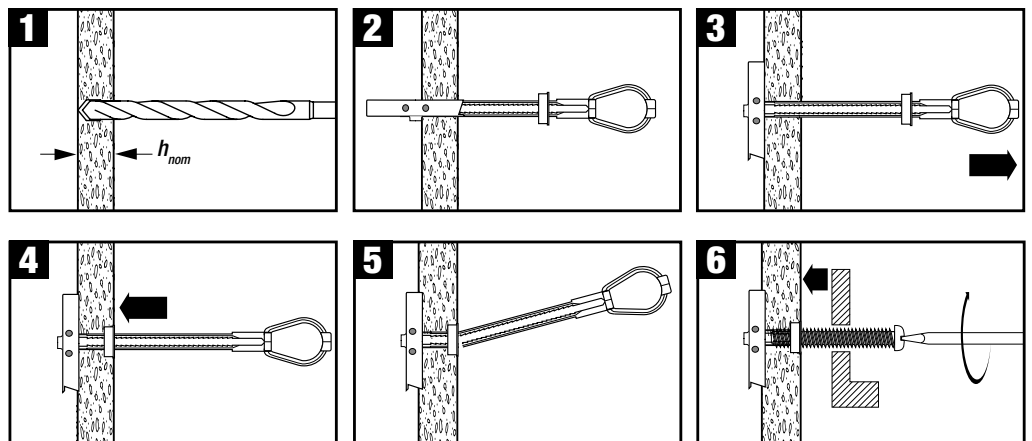
See front cover foldout for details.

## PRODUCT OVERVIEW



Cat No.	Drill Dia. [mm]	Thread Size [mm]	Box	Blister Pack	Pack Qty
DFM4540050	12 x M6		•		50
DFM454005P	12 x M6			•	4
DFM4540100	18 x M8		•		25
DFM454010P	18 x M8			•	2

## INSTALLATION INSTRUCTIONS



## RECOMMENDED LOADS - PLASTERBOARD - ST STRAP TOGGLE™



$$\frac{N_{RK}}{\gamma_M \cdot \gamma_F} = N_{rec}$$

$\gamma_M = 2.1 \quad \gamma_f = 1.4$

Size	Plasterboard thickness $h_{nom}$	$N_{rec}$ [kN]	$V_{rec}$ [kN]
12 x M6	12.5mm	0.2	0.2
18 x M8	12.5mm	0.2	0.3

# EXTREME®

**MASONRY DRILL BITS  
ROUND SHANK  
PERCUSSION**

**UNIQUE DESIGN FOR  
MAXIMUM DURABILITY  
WITH AN ANTI-SLIP SHANK**

**2x** LONG LIFE



**DCD996  
18V XR LI-ION  
BRUSHLESS  
PREMIUM  
HAMMER  
DRILL DRIVER**



Visit [www.DeWALT.com](http://www.DeWALT.com) for more information



## **HWA HOLLOW WALL ANCHORS**

# **THE CLASSIC METAL FIXING FOR PLASTERBOARD**

The HWA hollow wall anchor is an all-metal fixing designed for fast installation into plasterboard.

With a long-lasting anti-corrosion coating, it is able to hold up to 23 kg in hollow walls and is ideal for medium to heavy applications.

Hollow Wall Anchors are optimised for installation using the HWA setting tool which pulls the fixing and folds the arms against the material, giving a secure hold in one action.

The anchor also features a wide head and anti-rotation spikes to prevent spinning in the material.

- Long-lasting anti-corrosion treatment
- Available in a range of diameters and lengths for different plasterboard thicknesses.
- Use the DFM4401000 setting tool for best results
- Detachable head makes it easy to replaster the surface for a smooth finish
- Wide head and anti-rotation spikes

**HWA MULTI ALSO AVAILABLE FOR UNIVERSAL APPLICATIONS. SEE PAGE 82**

# HWA HOLLOW WALL ANCHORS

## APPLICATIONS

Medium to heavy duty applications including:

- Coat hooks
- Television brackets
- Curtain poles
- Kitchen cupboards
- Shelves
- Wall lights

## MATERIALS



See front cover foldout for details.

## PRODUCT OVERVIEW - HWA HOLLOW WALL ANCHORS

**NEW**



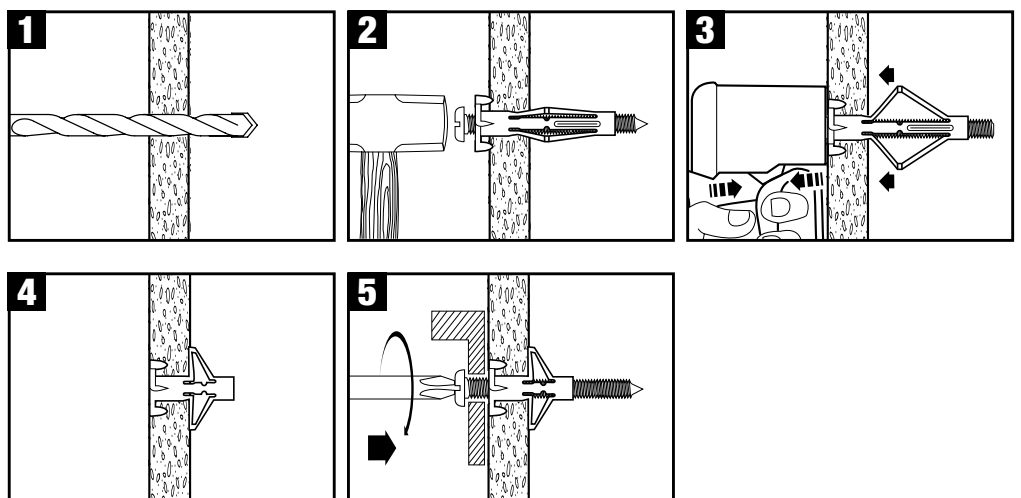
Cat No.	Thread Size [mm]	Length [mm]	Drill Dia. [mm]	Max $t_{fix}$ [mm]	Box	Blister Pack	Pack Qty
DFM4410400	4 x 46		8	21	•		50
DFM441040P	4 x 46		8	21		•	6
DFM4410500	5 x 36		11	17	•		100
DFM441050P	5 x 36		11	17		•	6
DFM4410510	5 x 50		11	22	•		50
DFM441051P	5 x 50		11	22		•	4
DFM4410600	6 x 50		11	22	•		50
DFM441060P	6 x 50		11	22		•	4

## PRODUCT OVERVIEW - SETTING TOOL



Cat No.	Box	Blister Pack	Pack Qty
DFM4401000		•	1

## INSTALLATION INSTRUCTIONS

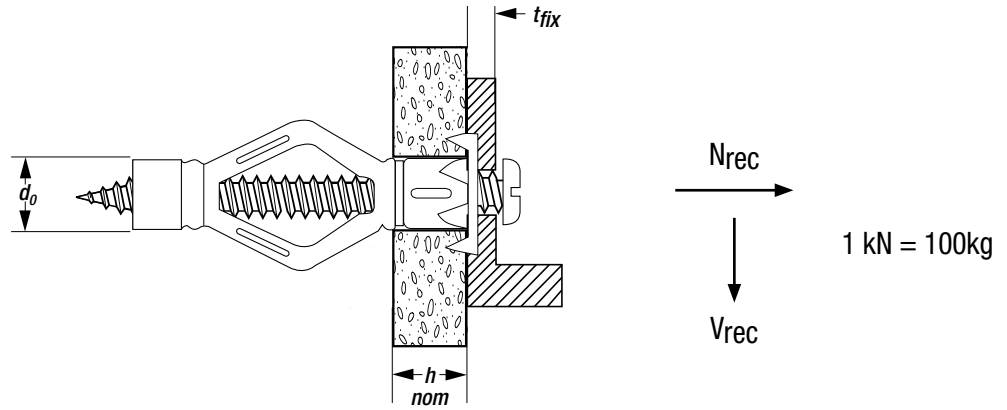




# HWA HOLLOW WALL ANCHORS

MECHANICAL ANCHORS

## TECHNICAL INFORMATION



## RECOMMENDED LOADS - PLASTERBOARD - HWA



$$\frac{N_{Rk}}{\gamma_M \cdot \gamma_F} = N_{rec}$$

$\gamma_M = 2.1 \quad \gamma_F = 1.4$

Size	$d_0$ [mm]	$h_{nom}$ [mm]	$t_{fix}^{max}$ [mm]	$N_{rec}$ & $V_{rec}$ [kN]
4 x 46	8	10 to 24	21	0.10
5 x 36	11	10 to 15	17	0.15
5 x 50	11	10 to 15	22	0.19
6 x 50	11	10 to 15	22	0.23