



# UltraHigh Pressure Bumper Turret STYLE 3450

In the new arena of ultra high pressure fire fighting, Akron Brass is introducing its Ultra High Pressure Bumper Turret. This new turret is capable of delivering 300 GPM at 1500 psi.

**STANDARD FEATURES:**

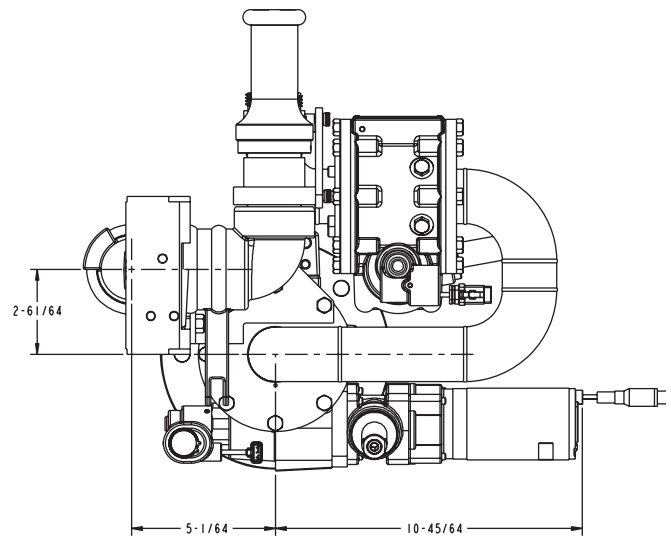
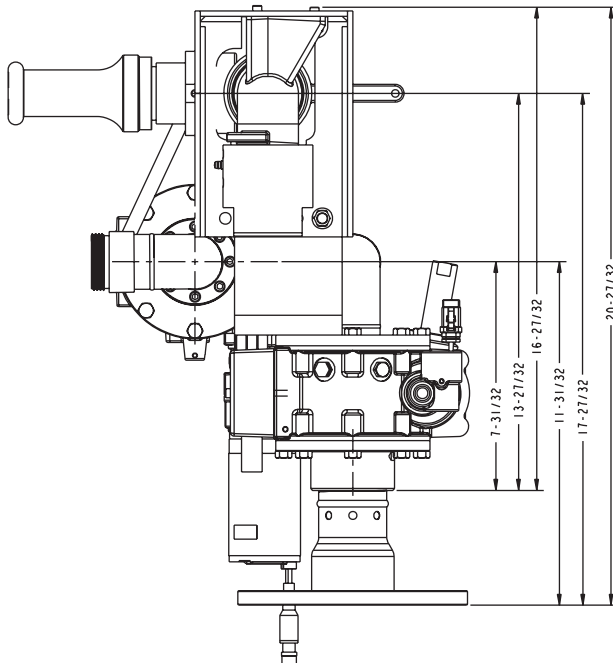
- Flows 300 GPM at pressures up to 1500 psi
- Inlet: 2" NPT
- Outlet: 1.5" NH
- Vertical Travel: +70° & -30°
- Horizontal Travel: 180°
- 12V & 24V
- Position Feedback
- Dry Chemical Piggy Back
- Weight without Nozzle & Piggy Back 60.8 lbs.

Nozzle Options:

Style 1550 Saber Master™ Nozzle

Style 1410 Plain Tip w/ Style 3485 1½" Mini Shaper

Uses FireFox control options.



In U.S./International  
Akron Brass Company  
PH: 330.264.5678  
FAX: 330.264.2944

In North America  
Call Toll Free  
PH: 1.800.228.1161  
FAX: 1.800.531.7335

**IN NORTH AMERICA CALL 1.800.228.1161 | FAX 1.800.531.7335**

© Copyright 2008 Akron Brass Company. All rights reserved. No portion of this can be reproduced without the express written consent of the Akron Brass Company. (04/08)