



Acid Neutralization/Dilution Tanks for Use With **LabWaste®** CPVC Systems

Neutralization or dilution tanks are required by codes for the purpose of neutralizing corrosive wastes. Corrosive liquids, spent acids or other harmful chemicals that destroy or damage a drain, sewer, soil or waste pipe, or create noxious or toxic fumes or interfere with sewage treatment processes are prohibited from discharge into the plumbing system without being neutralized or treated. Spears® offers a standard selection of HDPE tanks in 5 gallon to 3000 gallon capacities and CPVC tanks in 5 gallon to 55 gallon capacities with connection and vent options listed below, plus convenient 1- gallon Dilution Tank designed for under-sink installation. Tanks can also be produced in virtually any custom size, shape, or connection configuration. Contact Spears® Technical Services with desired specifications for custom quotation.

Standard HDPE Round Tanks Technical Information

Construction: HDPE – High Density Polyethylene

Tank Capacity US Gallons	Approx Useable Capacity, US Gallons		Inside Dimension Dia. x Ht. (in.)	Wall Thickness (in.)	Approx Weight (lbs)	Standard Inlet & Outlet Connection Size (in.)	Standard Fitting Connection	LabWaste® Transition Connection Fitting <sup>3</sup>	Optional <sup>4</sup> Vent Connection Size (in.)	Approx. Centerline Height (in.) <sup>5</sup>		
	Without Limestone	With Limestone								Inlet	Outlet	Vent
5	3	1	11 x 14	3/16	10	1-1/2 or 2	Mipt	P101	1-1/2 or 2	11	8	12
15	7	2	18 x 15	3/16	20	1-1/2 or 2	Mipt	P101	1-1/2 or 2	11	8	12
30	19	6	18 x 29	3/16	35	3	Mipt	P101	2 or 3	23	19	25
55	35	12	22 x 36	3/16	50	4	Mipt	P101	3 or 4	27	23	31
100	77	26	28 x 42	1/4	85	4	Mipt	P101	3 or 4	35	31	37
150	105	35	31 x 48	1/4	100	4	Mipt	P101	3 or 4	38	34	42
175	135	45	30 x 60	1/4	125	4	Mipt	P101	3 or 4	51	47	54
200	137	46	36 x 48	1/4	125	4 or 6	Mipt/Flange	P101/854	4 or 6	38	34	42
275	186	62	42 x 48	1/4	160	4 or 6	Mipt/Flange	P101/854	4 or 6	38	34	42
300	230	76	36 x 74	5/16	175	4 or 6	Mipt/Flange	P101/854	4 or 6	61	56	65
350	243	81	48 x 48	5/16	200	4 or 6	Mipt/Flange	P101/854	4 or 6	38	34	42
500	395	132	52 x 60	3/8	225	4 or 6	Mipt/Flange	P101/854	4 or 6	51	47	54
550	447	149	48 x 72	3/8	275	4 or 6	Mipt/Flange	P101/854	4 or 6	64	60	67
650	548	183	48 x 84	3/8	375	4 or 6	Mipt/Flange	P101/854	4 or 6	75	71	76
1200	1052	351	69 x 84	3/8	600	4 or 6	Mipt/Flange	P101/854	4 or 6	74	68	76
2000 <sup>1</sup>	1559	521	84 x 84	1/2	850	4 or 6	Mipt/Flange	P101/854	4 or 6	74	68	76
3000 <sup>1</sup>	2203	735	95 x 97	1/2	1350	4 or 6	Mipt/Flange	P101/854	4 or 6	87	83	91

( Important Notes on the following page )



LabWaste® Standard CPVC & HDPE Neutralization Tanks

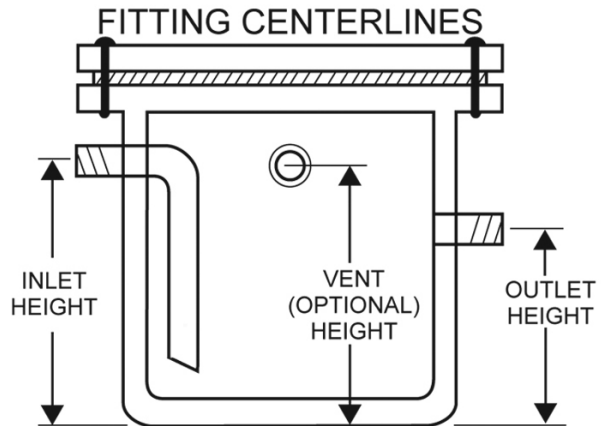
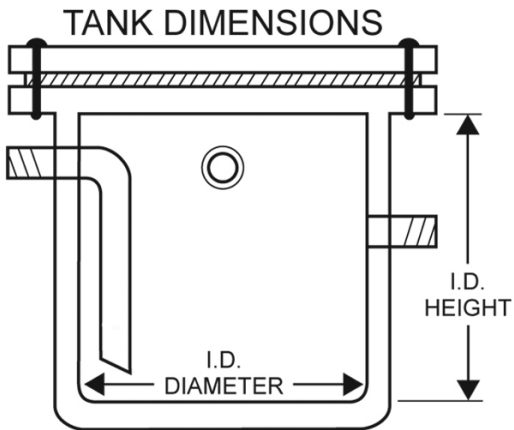
Standard CPVC Round Tanks Technical Information

Construction: Chlorinated Polyvinyl Chloride (CPVC)

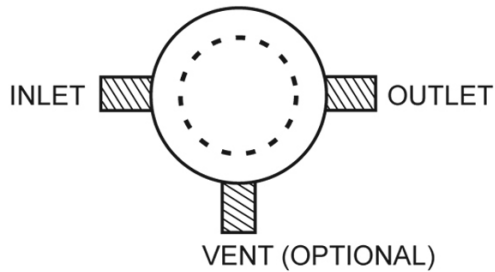
Tank Capacity US Gallons	Approx Useable Capacity, US Gallons		Inside Dimension Dia. x Ht. (in.)	Wall Thickness (in.)	Approx Weight (lbs)	Standard <sup>2</sup> Inlet & Outlet Connection Size (in.)	Standard Fitting Connection	LabWaste® Transition Connection Fitting <sup>3</sup>	Optional <sup>4</sup> Vent Connection Size (in.)	Approx. Centerline Height (in.) <sup>5</sup>		
	Without Limestone	With Limestone								Inlet	Outlet	Vent
	5	5								3	12-3/8 x 15-1/2	3/16
15	15	7	17-11/16 x 17-1/4	3/16	35	1-1/2 or 2	Soc	direct	1-1/2 or 2	11	8	12
30	30	18	17-5/8 x 33	3/16	54	3	Soc	direct	2 or 3	23	18	25
55	55	35	23-1/2 x 38-1/2	1/4	70	4	Soc	direct	3 or 4	27	23	31

Important Notes

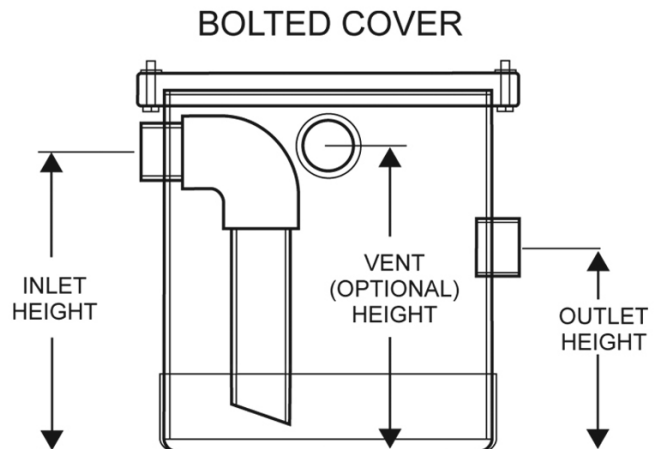
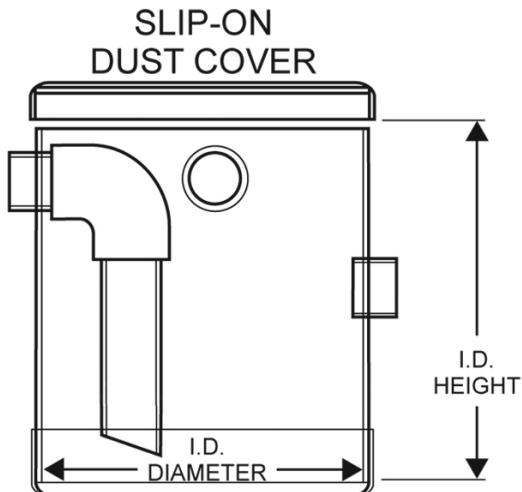
1. Larger HDPE tanks may include exterior steel banding or fiberglass reinforcement for additional strength. Special ordered optional inspection manhole ports are recommended for larger tanks (includes cover with neoprene gasket, stainless steel nuts, bolts, and washers).
2. All tanks can be special ordered with Mipt, Flanged (150#), and Fipt connections or varying combinations other than standard connections specified. Inlets or vents may also be custom ordered for installation in covers instead of tank sides.
3. For transitions from Mipt HDPE tank connections to **LabWaste®** piping use part numbers P101-xxxC, Female Adapter. CPVC tank sockets can be cemented directly to **LabWaste®** piping. For transitions from ALL flanged connections to **LabWaste®** piping use part numbers 854-xxxC, Flange (xxx = size code).
4. Venting is required by codes but may be accomplished either at the tank or in-line.
5. Neutralization tanks and tank extensions are not warranted for direct burial applications. Tanks must be properly placed and secured with no applied stresses, within a dry concrete vault with use of a protective traffic cover as deemed appropriate. However, if direct burial is used without warranty, custom centerlines must be furnished from top of cover down to fitting centerline instead of specified tank bottom to fittings centerline since tank heights can vary.



**TOP VIEW  
 STANDARD FITTING LOCATIONS**



(Advise If You Want  
 Standard Locations Changed)





LabWaste® Standard HDPE Round Neutralization Tanks

LabWaste® Standard HDPE Round Neutralization Tanks

Nominal US Gallons	Inlet & Outlet Size (in.)	Inlet & Outlet Connection	HDPE Tank Part No.	Prod Code
5	1-1/2	Mipt	T20051414B 955.17	169
5	2	Mipt	T20052424B 955.17	169
15	1-1/2	Mipt	T20151414B 1500.98	169
15	2	Mipt	T20152424B 1500.98	169
30	3	Mipt	T20303434B 2142.31	169
55	4	Mipt	T20554444B 2723.59	169
100	4	Mipt	T21004444B 3615.99	169
150	4	Mipt	T21504444B 4707.6	169
175	4	Mipt	T21754444B 6140.35	169
200	4	Mipt	T22004444B 6686.16	169
275	4	Mipt	T22754444B 7846.01	169
300	4	Mipt	T23004444B 8596.49	169
350	4	Mipt	T23504444B 8937.62	169
500	4	Mipt	T25004444B 12280.71	169
550	4	Mipt	T25504444B 14532.16	169
650	4	Mipt	T26504444B 16169.59	169
1200	4	Mipt	T212C4444B 29883.04	169
2000	4	Mipt	T220C4444B 41617.94	169
3000	4	Mipt	T230C4444B 57241.72	169

Optional Vent Outlet(recommended) for HDPE Tank			
Vent Size (in.)	Vent Connection	Add-on to Part No.	Prod Code
1-1/2	Mipt	14	169
2	Mipt	24	169
3	Mipt	34	169
4	Mipt	44	169
6	Mipt	63	169

Example: T20051414B14  
Add-on pricing Call Spears for MSRP.

These are most commonly used tanks and vent options  
Contact Spears® for availability of desired variations