



Description & Features:

- Heavy duty, highly accurate, aluminum case
- Brass and stainless steel wetted parts available
- Two separate bourdon tubes and pointers
- One red and one black pointer
- ASME B40.100 compliant
- CRN registered
- 5 year warranty

Applications:

- Comparing two separate process pressures on the same gauge
- Utilized on pump and filter installations

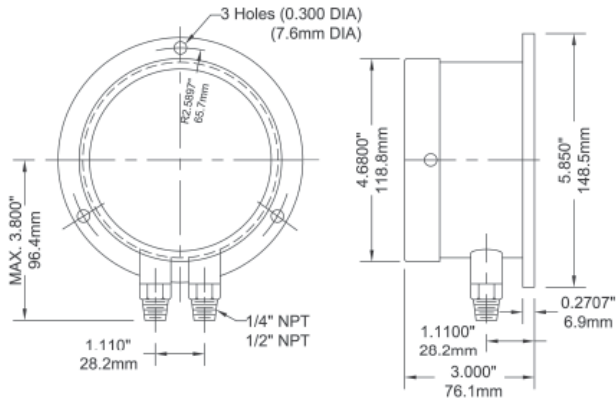
Specifications	Stainless Steel	Brass
Dial	4.5" (115mm), 6" (150mm) white aluminum with black markings	4.5" (115mm), 6" (150mm) white aluminum with black markings
Case	Aluminum, painted black	Aluminum, painted black
Front Flange	SS	SS
Back Flange	Black steel	Black steel
Lens	Glass	Glass
Ring	4.5" (115mm): SS 6" (150mm): Aluminum	4.5" (115mm): SS 6" (150mm): Aluminum
Socket	316 SS	Brass
Connections	1/4" NPT standard	1/4" NPT standard
Scale	PSI only	PSI only
Bourdon Tubes	AISI 316 SS, independent, matched	Phosphor bronze, independent, matched
Movement	Brass	Brass
Pointer	Aluminum, micrometer	Aluminum, micrometer
Welding	TIG argonarc	Tin/copper alloy
Over-pressure Limit	30% of full scale value	30% of full scale value
Working Pressure	Maximum 75% of full scale value	Maximum 75% of full scale value
Ambient/Process Temperature	-40°F to 150°F (-40°C to 65°C)	-40°F to 150°F (-40°C to 65°C)
Accuracy	±1% ANSI/ASME Grade 1A	±1% ANSI/ASME Grade 1A
Warning (brass internals only)	N/A	⚠ WARNING: This product can expose you to chemicals including lead, which is known to the State of California to cause cancer and birth defects or other reproductive harm. For more information go to www.P65Warnings.ca.gov .

Order Codes (products in italics are normally available in 3 - 5 days)

Dial Size	4.5" (115mm)				6" (150mm)			
Connection	1/4" Bottom	1/4" Back (LB)	1/4" Bottom	1/4" Back (LB)	1/4" Bottom	1/4" Back (LB)	1/4" Bottom	1/4" Back (LB)
Socket, Tube	Brass		SS		Brass		SS	
0/15 psi	<i>PDX8011</i>	<i>PDX8011B</i>	<i>PDX8021</i>	<i>PDX8021B</i>	<i>PDX8091</i>	<i>PDX8091B</i>	<i>PDX8101</i>	<i>PDX8101B</i>
0/30 psi	<i>PDX8012</i>	<i>PDX8012B</i>	<i>PDX8022</i>	<i>PDX8022B</i>	<i>PDX8092</i>	<i>PDX8092B</i>	<i>PDX8102</i>	<i>PDX8102B</i>
0/60 psi	<i>PDX8013</i>	<i>PDX8013B</i>	<i>PDX8023</i>	<i>PDX8023B</i>	<i>PDX8093</i>	<i>PDX8093B</i>	<i>PDX8103</i>	<i>PDX8103B</i>
0/100 psi	<i>PDX8014</i>	<i>PDX8014B</i>	<i>PDX8024</i>	<i>PDX8024B</i>	<i>PDX8094</i>	<i>PDX8094B</i>	<i>PDX8104</i>	<i>PDX8104B</i>
0/160 psi	<i>PDX8015</i>	<i>PDX8015B</i>	<i>PDX8025</i>	<i>PDX8025B</i>	<i>PDX8095</i>	<i>PDX8095B</i>	<i>PDX8105</i>	<i>PDX8105B</i>
0/200 psi	<i>PDX8016</i>	<i>PDX8016B</i>	<i>PDX8026</i>	<i>PDX8026B</i>	<i>PDX8096</i>	<i>PDX8096B</i>	<i>PDX8106</i>	<i>PDX8106B</i>
0/300 psi	<i>PDX8017</i>	<i>PDX8017B</i>	<i>PDX8027</i>	<i>PDX8027B</i>	<i>PDX8097</i>	<i>PDX8097B</i>	<i>PDX8107</i>	<i>PDX8107B</i>
0/600 psi	<i>PDX8018</i>	<i>PDX8018B</i>	<i>PDX8028</i>	<i>PDX8028B</i>	<i>PDX8098</i>	<i>PDX8098B</i>	<i>PDX8109</i>	<i>PDX8109B</i>

Other ranges and connection sizes available upon request. For scale change, refer to How to Order Guide for scale codes.

4.5" Bottom Connection



4.5" Back Connection

