

Upper Attachments

TOLCO™ Fig. 50 - Side Beam Bracket

Size Range: 3/8"-16 thru 7/8"-9 rod

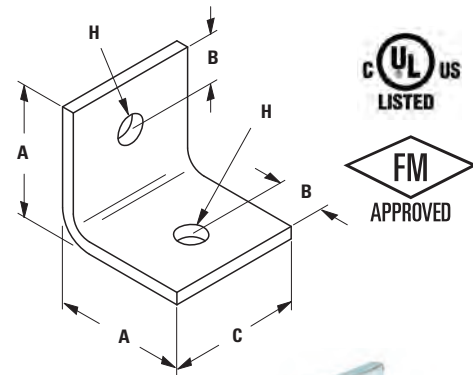
Material: Steel

Function: Recommended for attaching hanger rod to side of beams or walls.

Approvals: 3/8"-16 - Underwriters Laboratories Listed in the USA (UL) and Canada (cUL), and Factory Mutual Engineering (FM) approved.

Finish: Plain or Electro-Galvanized. Contact customer service for alternative finishes and materials.

Order By: Figure number, rod size and finish



Part No.	Rod Size	A		B		C		Hole Size H		Approx. Wt./100	
		in.	(mm)	in.	(mm)	in.	(mm)	in.	(mm)	Lbs.	(kg)
50-3/8	3/8"-16	2"	(50.8)	3/4"	(19.0)	2"	(50.8)	7/16"	(11.1)	35	(15.9)
50-1/2	1/2"-13	2"	(50.8)	3/4"	(19.0)	2"	(50.8)	9/16"	(14.3)	35	(15.9)
50-5/8	5/8"-11	2"	(50.8)	3/4"	(19.0)	2"	(50.8)	11/16"	(17.5)	32	(14.5)
50-3/4	3/4"-10	2 1/2"	(63.5)	3/4"	(19.0)	2 1/2"	(63.5)	13/16"	(20.6)	110	(49.9)
50-7/8	7/8"-9	2 1/2"	(63.5)	3/4"	(19.0)	2 1/2"	(63.5)	15/16"	(23.8)	100	(45.3)

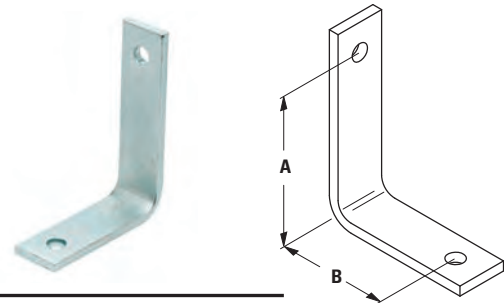
B3061 - Angle Bracket

Material: Steel

Function: — Recommended for supporting pipe at various distances from wall or column.

Finish: Plain or Electro-Galvanized. Contact customer service for alternative finishes and materials.

Order By: Figure number and finish



Part No.	Size in.	A		B		Hole Size in. (mm)	Max. Rec. Load Lbs. (kN)	Approx. Wt./100	
		in.	(mm)	in.	(mm)			Lbs.	(kg)
B3061-1	1	3"	(76.2)	2"	(50.8)	7/16"	(11.1)	46	(20.8)
B3061-2	2	4"	(101.6)	3"	(76.1)	7/16"	(11.1)	65	(29.5)
B3061-3	3	3"	(76.2)	2"	(50.8)	9/16"	(14.3)	85	(38.5)
B3061-4	4	4"	(101.6)	3"	(76.1)	9/16"	(14.3)	115	(52.1)

TOLCO™ Fig. 56 - Tapped Side Beam Connector (Stainless Steel)

Size Range: 1/2" (15mm) thru 4" (100mm) pipe (3/8"-16 rod)

Material: Stainless Steel Type 304 or 316

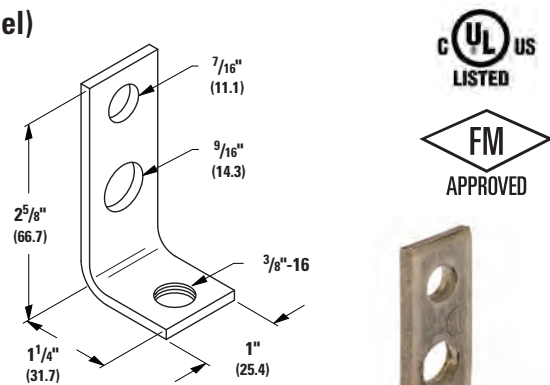
Function: Recommended for attaching hanger rod to steel or wood beams. Tapped hole allows easy adjustment of hanger rod.

Approvals: Underwriters Laboratories Listed in the USA (UL) and Canada (cUL), and Factory Mutual Engineering (FM) approved for 1/2" (15mm) thru 4" (100mm) pipe.

Order By: Figure number

Note: Available only in Stainless Steel materials.

Per NFPA 13: 1/2" (15mm) thru 2" (50mm) pipe use 3/8"-16 fastener; 2 1/2" (65mm) thru 4" (100mm) pipe, use 1/2"-13 fastener.



Part No.	Approx. Wt./100 Lbs. (kg)
56	20 (9.1)



All dimensions in charts and on drawings are in inches. Dimensions shown in parentheses are in millimeters unless otherwise specified.