




### Description & Features:

- One piece forged brass case designed for severe service conditions
- Easy-to-read single or dual scale dial
- ASME B40.100 compliant
- CRN registered
- 5 year warranty

### Applications:

- High vibration industrial installations including hydraulic and fracking systems

Specifications	
Dial	2.5" (63mm), 4" (100mm)
Case	Forged brass, rugged 2.5": Liquid filled case standard, 4": dry case standard
Lens	Polycarbonate
Ring	2.5" (63mm): Gold-coloured ABS, 4" (100mm): polished brass
Socket	Brass
Pointer	Aluminum, anodized black
Connection	2.5"(63mm): 1/4" NPT bottom or back, 4" (100mm): 1/4" or 1/2" NPT bottom
Wetted Parts	Brass
Ambient/Process Temperature	-40°F to 150°F (-40°C to 65°C)
Accuracy	2.5" (63mm): ±1.5% of full scale, 4" (100mm): ±1% ANSI/ASME Grade 1A
Enclosure Rating	IP65
Warning	 <b>WARNING:</b> This product can expose you to chemicals including lead, which is known to the State of California to cause cancer and birth defects or other reproductive harm. For more information go to <a href="http://www.P65Warnings.ca.gov">www.P65Warnings.ca.gov</a> .

## Single Scale Order Codes

Dial Size Connection	2.5" (63mm)		4" (100mm)	
	1/4" Bottom	1/4" Back (CB)	1/4" Bottom	1/2" Bottom
30" Hg Vac	PBC801R1	PBC900R1	PBC700R1	PBC1234R1
30"/0/15 psi	PBC790R1	PBC890R1	PBC701R1	PBC1235R1
30"/0/30 psi	PBC798R1	PBC898R1	PBC702R1	PBC1236R1
30"/0/60 psi	PBC799R1	PBC899R1	PBC703R1	PBC1237R1
30"/0/100 psi	PBC791R1	PBC891R1	PBC704R1	PBC1238R1
30"/0/150 psi	PBC792R1	PBC892R1	PBC705R1	PBC1239R1
30"/0/200 psi	PBC794R1	PBC894R1	PBC706R1	PBC1240R1
30"/0/300 psi	PBC795R1	PBC895R1	PBC707R1	PBC1241R1
0/15 psi	PBC800R1	PBC901R1	PBC708R1	PBC1242R1
0/30 psi	PBC802R1	PBC902R1	PBC709R1	PBC1243R1
0/60 psi	PBC803R1	PBC903R1	PBC710R1	PBC1244R1
0/100 psi	PBC804R1	PBC904R1	PBC711R1	PBC1245R1
0/160 psi	PBC805R1	PBC905R1	PBC712R1	PBC1246R1
0/200 psi	PBC806R1	PBC906R1	PBC713R1	PBC1247R1
0/300 psi	PBC807R1	PBC907R1	PBC714R1	PBC1248R1
0/400 psi	PBC817R1	PBC917R1	PBC715R1	PBC1249R1
0/600 psi	PBC808R1	PBC908R1	PBC716R1	PBC1250R1
0/1,000 psi	PBC809R1	PBC909R1	PBC724R1	PBC717R1
0/1,500 psi	PBC816R1	PBC914R1	PBC725R1	PBC718R1
0/2,000 psi	PBC810R1	PBC910R1	PBC726R1	PBC719R1
0/3,000 psi	PBC811R1	PBC911R1	PBC727R1	PBC720R1
0/5,000 psi	PBC812R1	PBC912R1	PBC728R1	PBC721R1
0/6,000 psi	PBC814R1	PBC915R1	PBC024R1	PBC784R1
0/10,000 psi	PBC813R1	PBC913R1	PBC729R1	PBC722R1

## Dual Scale Order Codes

Dial Size Connection	2.5" (63mm)		4" (100mm)	
	1/4" Bottom	1/4" Back (CB)	1/4" Bottom	1/2" Bottom
30" Hg Vac/kPa	PBC801	PBC900	PBC700	PBC1234
30"/0/15 psi/kPa	PBC790	PBC890	PBC701	PBC1235
30"/0/30 psi/kPa	PBC798	PBC898	PBC702	PBC1236
30"/0/60 psi/kPa	PBC799	PBC899	PBC703	PBC1237
30"/0/100 psi/kPa	PBC791	PBC891	PBC704	PBC1238
30"/0/150 psi/kPa	PBC792	PBC892	PBC705	PBC1239
30"/0/200 psi/kPa	PBC794	PBC894	PBC706	PBC1240
30"/0/300 psi/kPa	PBC795	PBC895	PBC707	PBC1241
0/15 psi/kPa	PBC800	PBC901	PBC708	PBC1242
0/30 psi/kPa	PBC802	PBC902	PBC709	PBC1243
0/60 psi/kPa	PBC803	PBC903	PBC710	PBC1244
0/100 psi/kPa	PBC804	PBC904	PBC711	PBC1245
0/160 psi/kPa	PBC805	PBC905	PBC712	PBC1246
0/200 psi/kPa	PBC806	PBC906	PBC713	PBC1247
0/300 psi/kPa	PBC807	PBC907	PBC714	PBC1248
0/400 psi/kPa	PBC817	PBC917	PBC715	PBC1249
0/600 psi/kPa	PBC808	PBC908	PBC716	PBC1250
0/1,000 psi/kPa	PBC809	PBC909	PBC724	PBC717
0/1,500 psi/kPa	PBC816	PBC914	PBC725	PBC718
0/2,000 psi/kPa	PBC810	PBC910	PBC726	PBC719
0/3,000 psi/kPa	PBC811	PBC911	PBC727	PBC720
0/5,000 psi/kPa	PBC812	PBC912	PBC728	PBC721
0/6,000 psi/kPa	PBC814	PBC915	PBC024	PBC784
0/10,000 psi/kPa	PBC813	PBC913	PBC729	PBC722

Other ranges and connection sizes available upon request. For scale change, refer to How to Order Guide for scale codes. **For options, attach suffix to end of order code:**

**i.e. PBC805-REST for RESTRICTOR SCREW.**

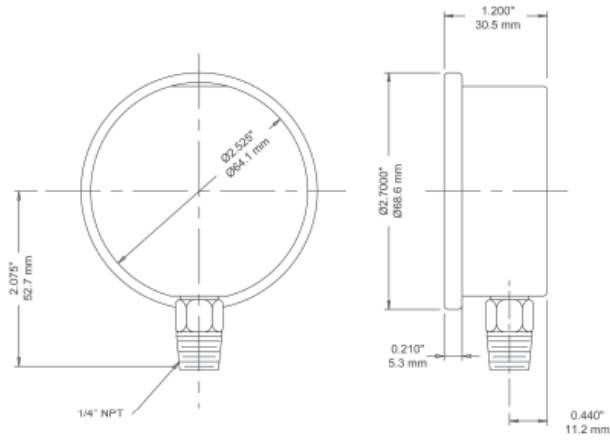
### Option suffix:

25DRY = Supply 2.5" (63mm) gauge dry

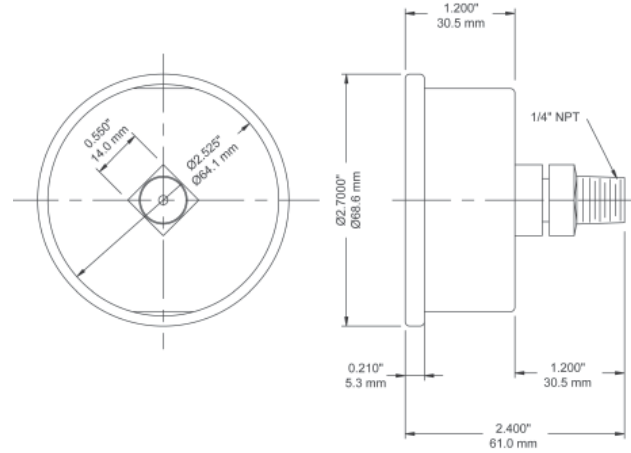
G = Glycerin filled case

REST = Restrictor screw

## 2.5" Bottom Connection



## 2.5" Back Connection



## 4" Bottom Connection

