



TOLCO™ Fig. 69 - Beam Clamp Retaining Strap

Size Range: 3/8"-16 thru 3/4"-10 rod
 4" (101.6mm) thru 16" (406.4mm) lengths
 Note: longer lengths are available consult factory

Material: Pre-Galvanized Steel

Function: To offer more secure fastening of various types of beam clamps to beam where danger of movement might be expected. NFPA 13 requires the use of retaining straps with all beam clamps installed in earthquake areas. Satisfies requirements of NFPA 13.

Important Note: Good installation practice of a retaining strap requires that the strap be held tightly and securely to all component parts of the assembly. Therefore a locking mechanism of some kind, such as a hex nut for the Fig. 69 or the beveled locking slot of the Fig. 69R will provide a more secure reliable installation.

Approvals: Underwriters Laboratories Listed in the USA (UL) and Canada (cUL). Approved for use with any listed B-Line series or Tolco beam clamp.

Finish: Pre-Galvanized

Order By: Figure number, length (L), and finish.

Note: Minimum return on strap is 1" (25.4mm).
 Lengths over 16" (406mm) are not UL Listed.

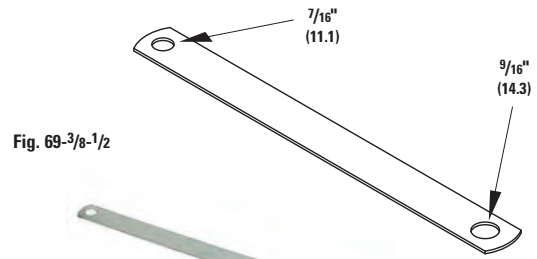


Fig. 69-3/8-1/2



Detail A

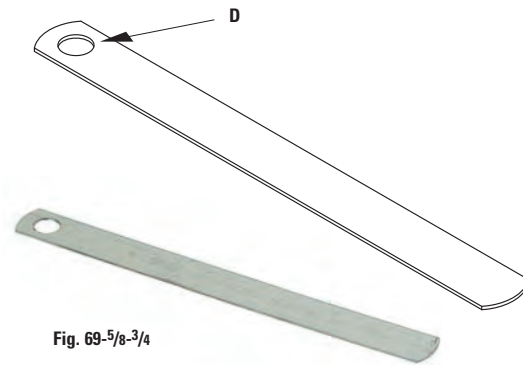
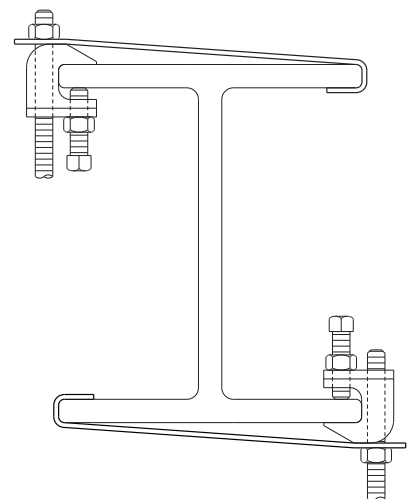


Fig. 69-5/8-3/4

Part No.	Hole Dia. D in. (mm)	For Use With	Length
69-3/8-1/2-L	see Detail A	B3033-3/8, B3034-3/8, B3031-3/8, 65-3/8, 65XT-3/8, 66-3/8 B3033-1/2, B3034-1/2, 65-1/2, 66-1/2	Specify
69-5/8-L	11/16" (17.5)	B3033-5/8, 65-5/8, 66-5/8	Specify
69-3/4-L	13/16" (20.6)	B3033-3/4	Specify



All dimensions in charts and on drawings are in inches. Dimensions shown in parentheses are in millimeters unless otherwise specified.