

# Beam Clamps

## TOLCO™ Fig. 67SS - Stainless Steel Reversible C-Type Beam Clamp 3/4" (19.0mm) Throat Opening

## TOLCO™ Fig. 68SS - Stainless Steel Reversible C-Type Beam Clamp Wide Mouth

**Size Range:** 3/8"-16 and 1/2"-13 rod sizes

**Material:** Stainless Steel (Type 316 or 304)

**Function:** Recommended for hanging from steel beams where flange thickness does not exceed 3/4" (19.0mm) for Fig. 67SS or 1 1/4" (31.7mm) for Fig. 68SS.

**Features:** All steel construction eliminates structural deficiencies associated with casting type beam clamps. May be used on top or bottom flange of beam. May be installed with set screw in up or down position. Offset design permits unlimited rod adjustment by allowing the rod to be threaded completely through the clamp.

**Approvals:** Conforms to Manufacturers Standardization Society ANSI/MSS SP-69 & SP-58, Type 19.

3/8"-16 rod will support 1/2" (15mm) thru 4" (100mm) pipe at maximum NFPA 13 spacing  
1/2"-13 rod will support thru 8" (200mm) pipe at maximum NFPA 13 spacing

**Order By:** Figure number and stainless steel type.

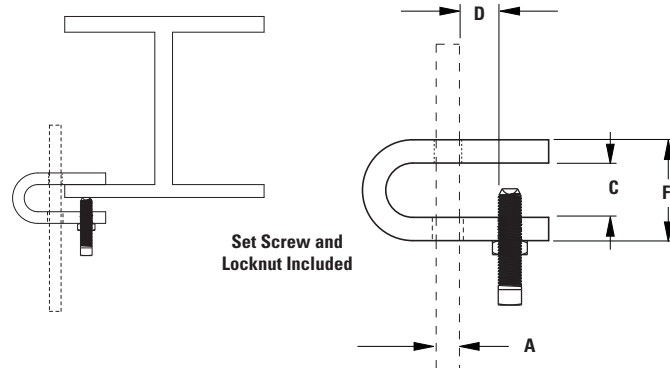
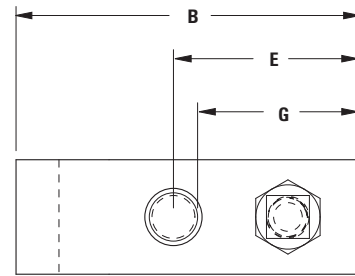


Fig. 67SS

Part No.	Rod Size A	Pipe Size		B		C		D		E	
		in.	(mm)	in.	(mm)	in.	(mm)	in.	(mm)	in.	(mm)
67SS-3/8	3/8"-16	1/2" - 4"	(15 - 100)	3"	(76.2)	7/8"	(22.2)	1"	(25.4)	1 5/8"	(41.3)
67SS-1/2	1/2"-13	5" - 8"	(125 - 200)	3"	(76.2)	7/8"	(22.2)	1"	(25.4)	1 5/8"	(41.3)

Part No.	F		G		Approx. Wt./100	
	in.	(mm)	in.	(mm)	Lbs.	(kg)
67SS-3/8	1 5/8"	(41.3)	1 1/8"	(28.6)	84	(38.1)
67SS-1/2	1 5/8"	(41.3)	1 1/8"	(28.6)	170	(77.1)



Fig. 68SS

Part No.	Rod Size A	Pipe Size		B		C		D		E	
		in.	(mm)	in.	(mm)	in.	(mm)	in.	(mm)	in.	(mm)
68SS-3/8	3/8"-16	1/2" - 4"	(15 - 100)	2 1/16"	(52.4)	1 1/8"	(28.6)	3/4"	(19.0)	1 1/4"	(31.7)
68SS-1/2	1/2"-13	5" - 8"	(125 - 200)	2 1/4"	(57.1)	1 1/4"	(31.7)	13/16"	(20.6)	1 1/4"	(31.7)

Part No.	F		Approx. Wt./100	
	in.	(mm)	Lbs.	(kg)
68SS-3/8	2"	(50.8)	84	(38.1)
68SS-1/2	2 1/4"	(57.1)	170	(77.1)



All dimensions in charts and on drawings are in inches. Dimensions shown in parentheses are in millimeters unless otherwise specified.