




### Description & Features:

- Economical, non-sparking brass case gauge
- 1.5" (40mm), 2" (50mm) and 2.5" (63mm) brass case
- "USE NO OIL" on dial
- Brass socket
- Threaded-on polycarbonate lens
- ASME B40.100 compliant
- CRN registered
- 5 year warranty

### Applications:

- Welding tank regulators or manifolds, beverage dispensing regulators and other pressurized tanks
- Used on the down stream side of a regulator and high pressure of cylinder gases

### Specifications

<b>Dial</b>	1.5" (40mm), 2" (50mm), 2.5" (63mm) white aluminum with black and red markings
<b>Case</b>	Brass, polished
<b>Lens</b>	Polycarbonate, threaded
<b>Socket</b>	Brass
<b>Connection</b>	1.5" (40mm) dial: 1/8" NPT bottom, 2" (50mm), 2.5" (63mm): 1/4" NPT bottom
<b>Bourdon Tube</b>	Phosphor bronze
<b>Movement</b>	Brass
<b>Pointer</b>	Aluminum, painted black
<b>Welding</b>	Silver alloy
<b>Over-pressure Limit</b>	25% of full scale value
<b>Working Pressure</b>	Maximum 75% of full scale value
<b>Ambient/Process Temperature</b>	-40°F to 150°F (-40°C to 65°C)
<b>Accuracy</b>	±3-2-3% ANSI/ASME Grade B
<b>Enclosure Rating</b>	IP52
<b>Warning</b>	 <b>WARNING:</b> This product can expose you to chemicals including lead, which is known to the State of California to cause cancer and birth defects or other reproductive harm. For more information go to <a href="http://www.P65Warnings.ca.gov">www.P65Warnings.ca.gov</a> .

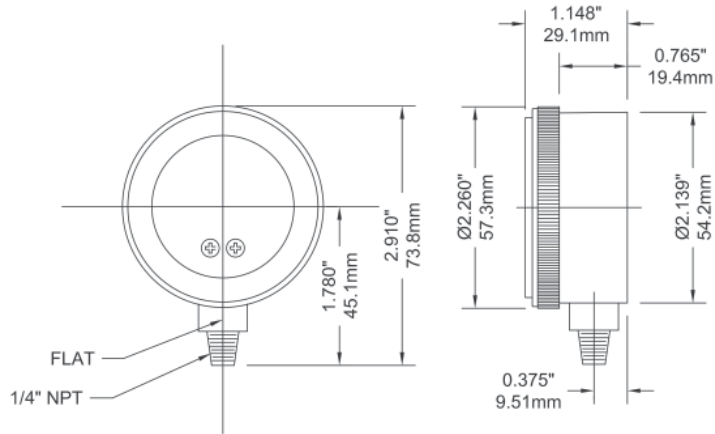
Note: Also see PCG Compressed Gas Gauge for more choices

### Order Codes (products in bold are normally stock in North America)

Dial Size	1.5" (40mm)	2" (50mm)	2.5" (63mm)
Connection	1/8" Bottom	1/4" Bottom	1/4" Bottom
0/30 psi/kPa	PWL2620	<b>PWL2720</b>	PWL2820
0/60 psi/kPa	PWL2621	PWL2721	PWL2821
0/100 psi/kPa	PWL2622	PWL2722	PWL2822
0/160 psi/kPa	-	PWL2723	-
0/200 psi/kPa	PWL2624	<b>PWL2724</b>	PWL2824
0/400 psi/kPa	PWL2626	PWL2726	PWL2826
0/600 psi/kPa	<b>PWL2627</b>	PWL2727	-
0/3,000 psi/kPa	-	PWL2731	-
0/4,000 psi/kPa	PWL2632	<b>PWL2732</b>	<b>PWL2832</b>

Other ranges and connection sizes available upon request. For scale change, refer to How to Order Guide for scale codes.

**2" Bottom Connection**



**2.5" Bottom Connection**

