

Threaded Accessories

B3212 - J-Bolt

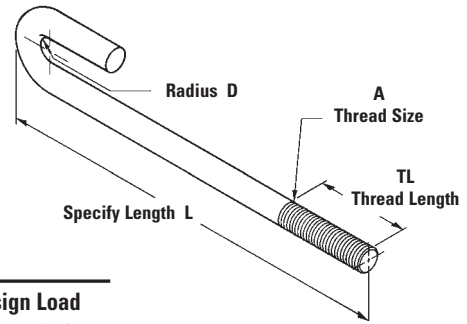
Size Range: 3/8"-16 thru 7/8"-19 rod

Material: Steel

Function: Designed to be hooked or hung from beam flange or purlin.

Finish: Plain or Electro-Galvanized. Contact customer service for alternative finishes and materials.

Order By: Figure number, length and finish



Part No.	Thread Size	Thread Length TL		Radius D		Design Load	
	A	in.	(mm)	in.	(mm)	Lbs.	(kg)
B3212-3/8 x 'L'	3/8"-16	2"	(50.8)	1/2"	(12.7)	240	(1.07)
B3212-1/2 x 'L'	1/2"-13	2"	(50.8)	5/8"	(15.9)	440	(1.96)
B3212-5/8 x 'L'	5/8"-11	2 1/2"	(63.5)	3/4"	(19.0)	705	(3.13)
B3212-3/4 x 'L'	3/4"-10	2 1/2"	(63.5)	7/8"	(22.2)	1050	(4.67)
B3212-7/8 x 'L'	7/8"-9	2 1/2"	(63.5)	1"	(25.4)	1470	(6.54)



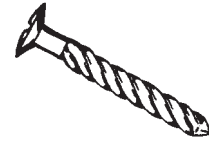
DS 16 x 2 - Drive Screw

Material: Steel

Function: Equivalent to a nail, but has greater holding power

Finish: Plain and Electro-Galvanized

Order By: Figure number and finish



B3228 - Hex Head Lag Bolt

Material: Steel

Function: Designed to fasten metal to wood. Lag screws are made with hex heads in lengths of 6" (152.5mm) or shorter and square heads in lengths longer than 6" (152.5mm). Both types have coarse lag threads and gimlet points and are available in diameters of 1/4"(6.3mm) to 5/8"(15.9mm) inclusive. Square-head lag screws are also available in 3/4"(19.0mm), 7/8"(22.2mm) and 1"(25.4mm) diameters.

Approvals: Qualified for static, wind, and seismic loading in concrete. Included in our Seismic Engineering Guidelines approved by the State of California Office of Statewide Health Planning and Development (**OSHPD**). For additional load, spacing and placement information relating to OSHPD projects, please refer to our Seismic Engineering Guidelines, OPM-0052-13.

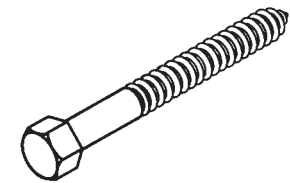
Finish: Plain or Electro-Galvanized. Contact customer service for alternative finishes and materials.

Order By: Figure number, bolt size, length and finish

OPM

Threaded Accessories

Length 1/4"	Bolt Diameter and Wt./C									
	(6.3)	3/8"	(9.5)	1/2"	(12.7)	5/8"	(15.9)	3/4"	(19.0)	
1 1/2" (38.1)	2.3	(1.0)	6.0	(2.7)	11.8	(5.3)	19.4	(8.8)	32.3	(14.6)
2" (50.8)	2.8	(1.3)	7.0	(3.2)	14.4	(6.5)	23.2	(10.5)	38.3	(17.4)
2 1/2" (63.5)	3.3	(1.5)	8.3	(3.7)	16.2	(7.3)	27.0	(12.2)	44.0	(19.9)
3" (76.2)	3.9	(1.7)	9.8	(4.4)	18.6	(8.4)	31.0	(14.0)	47.7	(21.6)
3 1/2" (88.9)	4.4	(2.0)	11.4	(5.2)	21.2	(9.6)	34.8	(15.8)	56.3	(25.5)
4" (101.6)	5.0	(2.2)	12.5	(5.7)	23.3	(10.5)	37.6	(17.0)	58.5	(26.5)
4 1/2" (114.3)	5.7	(2.6)	14.0	(6.3)	26.1	(11.8)	42.6	(19.3)	64.0	(29.0)
5" (127.0)	6.3	(2.8)	15.4	(7.0)	29.0	(13.1)	45.5	(20.6)	68.0	(30.8)
5 1/2" (139.7)	7.0	(3.2)	16.4	(7.4)	31.5	(14.3)	49.3	(22.3)	74.0	(33.5)
6" (152.4)	7.4	(3.3)	18.3	(8.3)	34.0	(15.4)	53.0	(24.0)	77.0	(34.9)



All dimensions in charts and on drawings are in inches. Dimensions shown in parentheses are in millimeters unless otherwise specified.