

# Pipe Supports

## B3088 - Base Stand

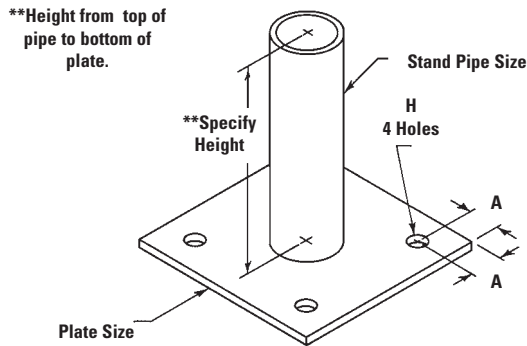
**Size Range:** 3/4" (20mm) thru 6" (150mm) pipe

**Material:** Steel

**Function:** Designed as an unthreaded base stand for pipe supports B3090, B3094, B3095, B3096, B3097 and B3098.

**Finish:** Plain or Electro-Galvanized. Contact customer service for alternative finishes and materials.

**Order By:** Figure number, height and finish.



**Note:** See Pipe Hangers & Supports catalog for attachments

Part No.	Plate Size		Stand Pipe Size		A		Dia. H	
	in.	(mm)	in.	(mm)	in.	(mm)	in.	(mm)
B3088-3/4	1/4" x 6" x 6"	(6.3 x 152.4 x 152.4)	3/4"	(20)	7/8"	(22.2)	3/4"	(14.3)
B3088-1	1/4" x 6" x 6"	(6.3 x 152.4 x 152.4)	1"	(25)	7/8"	(22.2)	3/4"	(14.3)
B3088-1 1/4	1/4" x 6" x 6"	(6.3 x 152.4 x 152.4)	1 1/4"	(32)	7/8"	(22.2)	3/4"	(14.3)
B3088-1 1/2	1/4" x 6" x 6"	(6.3 x 152.4 x 152.4)	1 1/2"	(40)	7/8"	(22.2)	3/4"	(14.3)
B3088-2	1/4" x 6" x 6"	(6.3 x 152.4 x 152.4)	2"	(50)	7/8"	(22.2)	3/4"	(14.3)
B3088-2 1/2	3/8" x 8" x 8"	(9.5 x 203.2 x 203.2)	2 1/2"	(65)	1 1/4"	(31.7)	13/16"	(14.3)
B3088-3	3/8" x 12" x 12"	(9.5 x 203.2 x 203.2)	3"	(80)	1 1/2"	(38.1)	13/16"	(20.6)
B3088-4	1/2" x 12" x 12"	(12.7 x 304.8 x 304.8)	4"	(100)	1 1/2"	(38.1)	15/16"	(23.8)
B3088-6	1/2" x 18" x 18"	(12.7 x 304.8 x 304.8)	6"	(150)	1 1/2"	(38.1)	1 1/8"	(28.6)

Part No.	Approx. Wt./100*	
	Lbs.	(kg)
B3088-3/4	420	(190.5)
B3088-1	480	(216.0)
B3088-1 1/4	590	(267.6)
B3088-1 1/2	655	(297.1)
B3088-2	1211	(549.3)
B3088-2 1/2	2376	(1077.7)
B3088-3	3137	(1422.9)
B3088-4	4338	(1967.7)
B3088-6	7378	(3346.6)

\*Based on a height of 18" (457.2mm).

All dimensions in charts and on drawings are in inches. Dimensions shown in parentheses are in millimeters unless otherwise specified.