



Description & Features:

- Vac to 10,000 psi pressure range
- Explosion proof enclosure
- Rugged stainless steel construction with diffused silicone sensor
- Built in high pressure snubber (2,000 psi and above)
- NEMA 4X, 7 and 9
- $\pm 0.25\%$ accuracy
- cULus approved for hazardous locations
- Single seal ANSI compliant up to 6,000 psi
- CRN registered
- 5 year warranty

Applications:

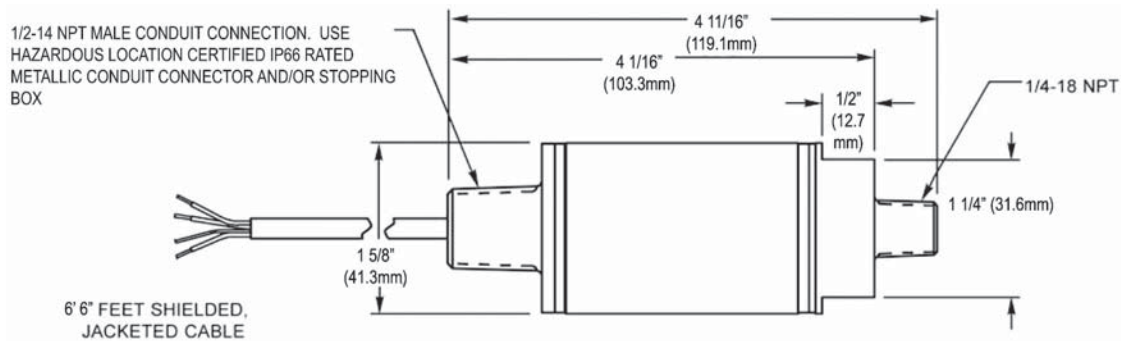
- Suitable for a variety of hazardous applications where the added security of an explosion proof enclosure is required including petrochemical plants, pipelines, fuel transfer systems and power plants
- Also appropriate for oil & gas, mining and water treatment industries

Specifications

| | |
|----------------------------|--|
| Output Signal | Standard 2-wire: 4-20 mA / Vs = 12-28 Vdc Optional 3-wire: 0.5-5.5 Vdc / Vs = 9-28 Vdc 3-wire: 1-11 Vdc / Vs = 14-28 Vdc Note: Other output signals available |
| Accuracy | $\pm 0.25\%$ BFSL / $\pm 0.5\%$ for vacuum only |
| Temperature Ranges | Operating: -40°F to 160°F (-40°C to 71°C) Compensating: 30°F to 160°F (-1°C to 71°C) Storage: -40°F to 185°F (-40°C to 85°C) |
| Temperature Shift | 0.0125% per $^{\circ}\text{F}$ over compensated range 75°F (24°C) reference |
| Vibration | 15 g / 10 to 2,000 Hz (MIL-STD-202) |
| Shock | 50 g / 11 ms (MIL-STD-202, M213, Cond. G) |
| Pressure Connection | 1/4" NPTM, 1/2" NPTM optional |
| Housing | 304 SS |
| Wetted Parts | 316 SS diaphragm and 17-4PH SS process connection |
| Proof Pressure | 2 x rated pressure or 13,000 psi max |
| Current Supply | 3 mA maximum (no load) |
| Protection | EMI, ESD and RFI, reverse polarity protected |
| Approval | cULus approved as telemetering equipment for use in hazardous locations (UL File E146589, WYMV, WYMV7) as follows: Class I, Div. 1, Groups A, B, C & D Class II, Div. 1, Groups E, F & G CRN registered |
| Weight | 7.4 oz. (210 grams): $\leq 1,000$ psi 9.9 oz. (281 grams): $\geq 2,000$ psi |

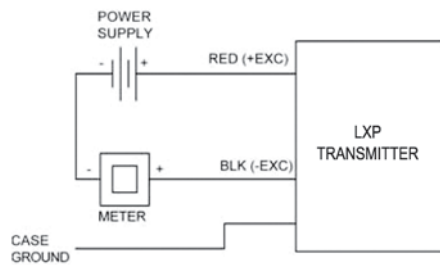
Order Codes

| Range | Proof Pressure | Process Connection | |
|---------------|----------------|--------------------|----------|
| | | 1/4" | 1/2" |
| 30" Hg Vac | 30 psi | LXPSV1N4 | LXPSV1N2 |
| 30"/0/15 psi | 30 psi | LXPSV2N4 | LXPSV2N2 |
| 30"/0/30 psi | 60 psi | LXPSV3N4 | LXPSV3N2 |
| 30"/0/60 psi | 120 psi | LXPSV4N4 | LXPSV4N2 |
| 30"/0/100 psi | 200 psi | LXPSV5N4 | LXPSV5N2 |
| 30"/0/150 psi | 300 psi | LXPSV6N4 | LXPSV6N2 |
| 30"/0/200 psi | 400 psi | LXPSV7N4 | LXPSV7N2 |
| 30"/0/300 psi | 600 psi | LXPSV8N4 | LXPSV8N2 |
| 0/15 psi | 30 psi | LXPS15N4 | LXPS15N2 |
| 0/30 psi | 60 psi | LXPS30N4 | LXPS30N2 |
| 0/60 psi | 120 psi | LXPS60N4 | LXPS60N2 |
| 0/100 psi | 200 psi | LXPS1HN4 | LXPS1HN2 |
| 0/150 psi | 300 psi | LXPS2HN4 | LXPS2HN2 |
| 0/200 psi | 400 psi | LXPS3HN4 | LXPS3HN2 |
| 0/300 psi | 600 psi | LXPS4HN4 | LXPS4HN2 |
| 0/500 psi | 1,000 psi | LXPS5HN4 | LXPS5HN2 |
| 0/600 psi | 1,200 psi | LXPS6HN4 | LXPS6HN2 |
| 0/1,000 psi | 2,000 psi | LXPS1TN4 | LXPS1TN2 |
| 0/1,500 psi | 3,000 psi | LXPS2TN4 | LXPS2TN2 |
| 0/2,000 psi | 4,000 psi | LXPS3TN4 | LXPS3TN2 |
| 0/3,000 psi | 6,000 psi | LXPS4TN4 | LXPS4TN2 |
| 0/4,000 psi | 8,000 psi | LXPS5TN4 | LXPS5TN2 |
| 0/5,000 psi | 10,000 psi | LXPS6TN4 | LXPS6TN2 |
| 0/6,000 psi | 12,000 psi | LXPS7TN4 | LXPS7TN2 |
| 0/7,500 psi | 13,000 psi | LXPS8TN4 | LXPS8TN2 |
| 0/10,000 psi | 13,000 psi | LXPS9TN4 | LXPS9TN2 |

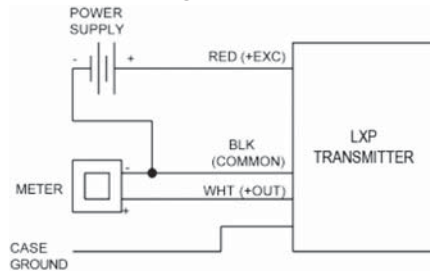


Wiring Diagram

Standard (Current)



Optional (Voltage)



Cable Leads

| Cable Colours: | 2-wire (current): | 3-wire (voltage): |
|----------------|-------------------|-------------------|
| Red | +Excitation | +Excitation |
| White | - | +Output |
| Black | -Excitation | Common |
| Drain | Case Ground | Case Ground |

Series Number (how to order)

SERIES

OUTPUT

- 4...20 mA / 2-wire (standard)
- 0.5...4.5 VDC / 3-wire
- 1...6 VDC / 3-wire
- 1...5 VDC / 3-wire
- 0.5...5.5 VDC / 3-wire
- 0.2...10 VDC / 3-wire
- 1...11 VDC / 3-wire

PRESSURE RANGE - PSI (BAR)

- 30" Hg (-1/0)
- 30" Hg/0/15 (-1/0/1)
- 30" Hg/0/30 (-1/0/2)
- 30" Hg/0/60 (-1/0/4)
- 30" Hg/0/100 (-1/0/6)
- 30" Hg/0/150 (-1/0/10)
- 30" Hg/0/200 (-1/0/14)
- 30" Hg/0/300 (-1/0/20)

- 15
- 30
- 60
- 100
- 150
- 200
- 300
- 500
- 600
- 1000
- 1500
- 2000
- 3000
- 4000
- 5000
- 6000
- 7500
- 10000

Special Range

PRESSURE

- Gauge (standard)
- Absolute (<300 PSI ONLY)

ACCURACY

- 0.25% (standard)

ELECTRICAL CONNECTION

- 6'6" (2m) Factory Sealed Cable Leads
- Jacketed / Shielded Cable (standard)

MECHANICAL CONNECTION

- 1/4" NPT (standard)
- 1/2" NPT
- G1/4"
- 7/16-20 UNF-2B Female
- 7/16-20 UNF-2B Male SAE

SEAL

- Welded (standard)

PRESSURE PORT

- 17-4 PH

DIAPHRAGM

- 316 Stainless Steel

SPECIAL

- Standard
- Calibrated in PSI
- Calibrated in BAR
- Additional Length of Leads (in Inches)
- Larger Orifice (≥1500 PSI ONLY)

