

CPVC Clamps

TOLCO™ Fig. 23 - Hanger for CPVC Plastic Pipe & IPS Steel Pipe Double Fastener Strap (B-Line B3182)



Size Range: 3/4" (20mm) thru 3" (80mm) CPVC pipe

Material: Pre-Galvanized Steel

Function: Intended to perform as a hanger to support CPVC piping used in automatic fire sprinkler systems. Fig. 23 can be installed on the top, bottom or side of a beam.

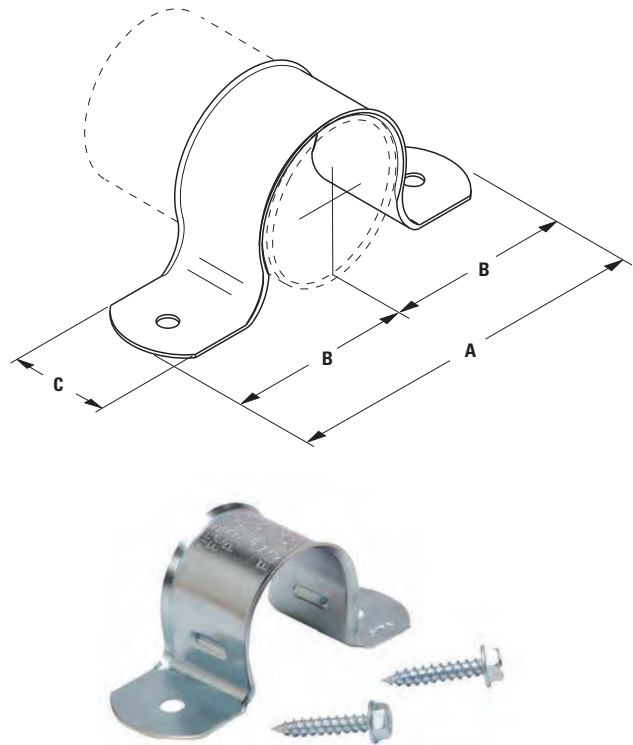
Approvals: Underwriters Laboratories Listed in the USA (UL) and Canada (cUL) sizes 3/4" (20mm) thru 2" (50mm) to support fire sprinkler piping. May be installed in wood using fasteners supplied with product, or into minimum 20 gauge (0.9mm) steel using (2) 1/4" x 1" tek type screw. Meets and exceeds the requirements of NFPA 13, 13R and 13D.

Features: Fig. 23 incorporates features which protect the pipe and ease installation. The flared edge design protects the CPVC pipe from any rough surface. It also incorporates snap restrainers allowing easier and faster installation. Easily attaches to the building structure using the two UL Listed hex head self threading screws* furnished with the product. It is recommended that rechargeable electric drills fitted with a hex socket attachment be used as installation tools. No impact tools (such as a hammer) are allowed. Damage has been known to result from installations using impact type tools. No pre-drilling of a pilot hole in wood is required.

Finish: Pre-Galvanized

Order By: Figure number and pipe size

* Hardened hex head self threading screw is furnished with the product and is the minimum fastener size acceptable.



Part No.	CPVC Pipe Size in. (mm)	A in. (mm)	B in. (mm)	C in. (mm)	Max. Hanger Spacing Ft. (m)	Fastener Hex Head Size in. (mm)	Approx. Wt./100 Lbs. (kg)
23-3/4	3/4" (20)	3 1/8" (79.4)	1 9/16" (39.7)	1 3/16" (30.2)	5 1/2 (1.67)	5/16" (7.9)	9 (4.1)
23-1	1" (25)	3 3/8" (85.7)	1 11/16" (42.9)	1 3/16" (30.2)	6 (1.83)	5/16" (7.9)	9 (4.1)
23-1 1/4	1 1/4" (32)	4 3/16" (106.4)	2 3/32" (53.1)	1 3/16" (30.2)	6 1/2 (1.98)	5/16" (7.9)	11 (5.0)
23-1 1/2	1 1/2" (40)	4 7/16" (112.7)	2 7/32" (56.3)	1 3/16" (30.2)	7 (2.13)	5/16" (7.9)	12 (5.4)
23-2	2" (50)	4 7/8" (123.8)	2 7/16" (61.9)	1 3/16" (30.2)	8 (2.44)	5/16" (7.9)	15 (6.8)
23-2 1/2	2 1/2" (65)	5 3/8" (136.5)	2 11/16" (68.3)	1 3/16" (30.2)	Consult Factory	5/16" (7.9)	22 (10.0)
23-3	3" (80)	6" (152.4)	3" (76.2)	1 3/16" (30.2)	Consult Factory	5/16" (7.9)	25 (11.3)

Reduced Spacing For IPS Pipe

Part No.	IPS Pipe Size in. (mm)	Max. Hanger Spacing Ft. (m)
23-3/4	3/4" (20)	1'-9" (1.67)
23-1	1" (25)	1'-10" (1.83)
23-1 1/4	1 1/4" (32)	2-4" (1.98)
23-1 1/2	1 1/2" (40)	2-9" (2.13)
23-2	2" (50)	3-6" (2.44)
23-2 1/2	2 1/2" (65)	Consult Factory
23-3	3" (80)	Consult Factory

All dimensions in charts and on drawings are in inches. Dimensions shown in parentheses are in millimeters unless otherwise specified.