

TOLCO™ Fig. 29 - Double Offset Hanger & Restrainer for CPVC Plastic Pipe & IPS Steel Pipe

Size Range: Available in 3/4" (20mm) and 1" (25mm) pipe sizes

Material: Pre-Galvanized Steel

Function: Intended to perform as a hanger and restrainer for CPVC, plastic fire sprinkler pipe. Provides double offset 1 1/2" (20mm) x 1 1/2" (20mm) from mounting surface. This design will ease installation by eliminating the need for wood block extension and allow retro-fit attachment of hanger to sprinkler pipe.

Features:

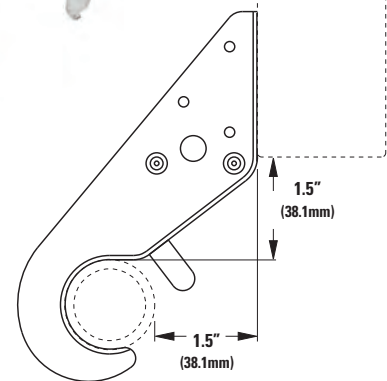
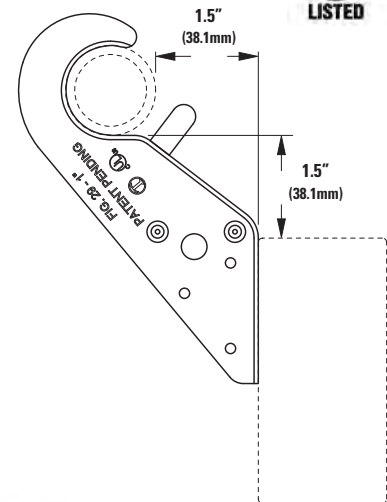
- Thumb tab provides protection to restrain pipe in rough job site conditions. Tab is not required to be bent for listed installation.
- Offset edge eliminates abrasion.
- Attaches easily to wood structure with two special #10 x 1" hex head self-threading screws furnished with product.
- Can be used as a single offset hanger by aligning "dimples" with top of mounting surface and utilizing two fasteners in two of the three holes provided.

Approvals: Underwriters Laboratories Listed in the USA (**UL**) and Canada (**cUL**) as a hanger and restrainer to support fire sprinkler systems. Meets and exceeds requirements of NFPA 13, 13R and 13D.

Finish: Pre-Galvanized

Order By: Figure number and pipe size.

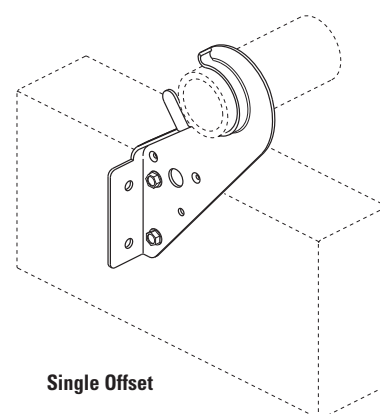
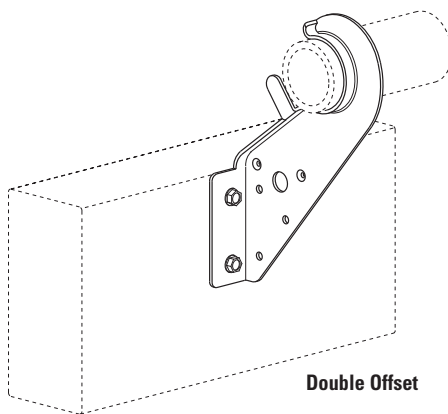
Patent # US2008/0129040A1



Part No.	CPVC Pipe size in. (mm)	Max Hanger Spacing Ft. (m)	Approx. Wt./100 lbs. (kg)
29-3/4	3/4" (20)	5'-6" (1.67)	18 (8.1)
29-1	1" (25)	6'-0" (1.83)	19 (8.6)

Reduced Spacing For IPS Pipe

Part No.	IPS Pipe Size in. (mm)	Max. Hanger Spacing Ft. (m)
29-3/4	3/4" (20)	1'-9" (1.67)
29-1	1" (25)	1'-10" (1.83)



Install using a rechargeable electric drill fitted with a 5/16" (7.9mm) socket attachment with the special hex head self-tapping screws provided. Install screws until they bottom out. Pipe can be "snapped" into hanger before or after installation of the screws to the mounting surface. "Thumb tab" may be bent up to provide additional protection to the pipe, but is not required for performance of the hanger / restrainer function.

All dimensions in charts and on drawings are in inches. Dimensions shown in parentheses are in millimeters unless otherwise specified.