

B3042T - Bar Joist Hanger

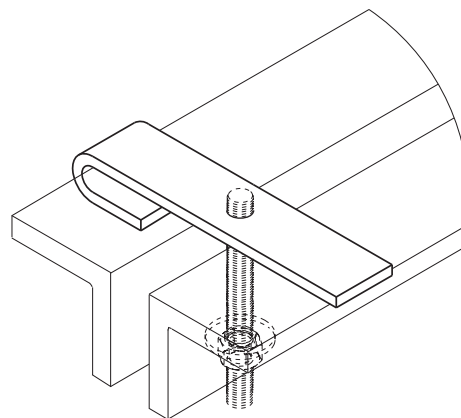
Size Range: 3/8"-16 and 1/2"-13 rod

Material: Steel

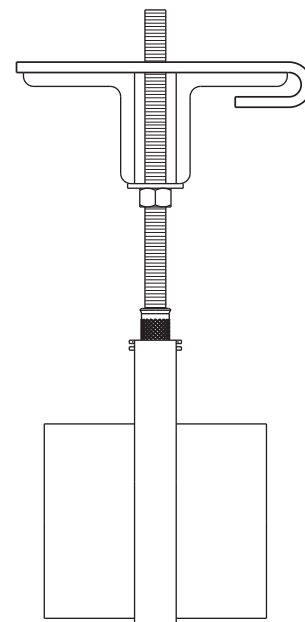
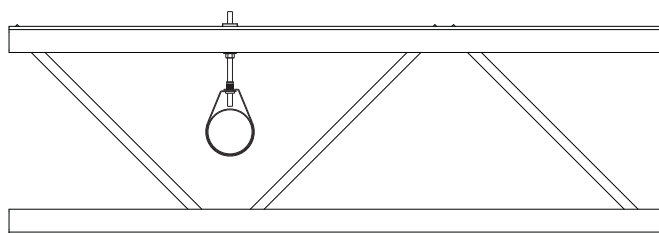
Function: Designed to hook on top chord of metal bar joist. Hanger rod is threaded into product and secured with a washer and nut.

Finish: Plain. Contact customer service for alternative finishes and materials.

Order By: Figure number, rod size, width and thickness of bar joist, and finish.



Part No.	Rod Size	For Pipe Size		Approx. Wt./100	
		in.	(mm)	Lbs.	(kg)
B3042T-3/8	3/8"-16	Up to 4"	(up to 100)	50.6	(22.9)
B3042T-1/2	1/2"-13	6"	(150)	50.0	(22.7)



All dimensions in charts and on drawings are in inches. Dimensions shown in parentheses are in millimeters unless otherwise specified.