

## B3088T - Threaded Base Stand

OPM

**Size Range:** 1" (25mm) thru 6" (150mm) pipe

**Material:** Steel

**Function:** Designed as a threaded base stand where vertical adjustment is required for pipe supports B3089, B3092, and B3093.

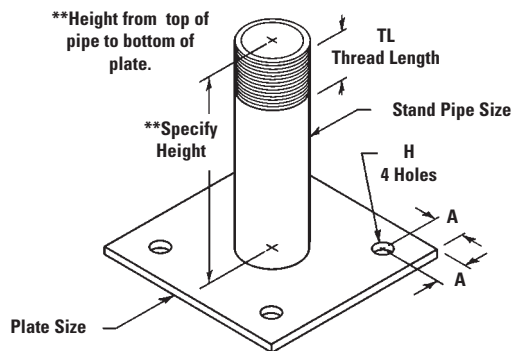
**Finish:** Plain or Electro-Galvanized. Contact customer service for alternative finishes and materials.

**Order By:** Figure number, height and finish.

**Approvals:** Included in our Seismic Engineering Guidelines approved by the State of California Office of Statewide Health Planning and Development (OSHPD). For additional load, spacing and placement information relating to OSHPD projects, please refer to our Seismic Engineering Guidelines, OPM-0052-13.

Refer to pages 15.1 - 15.3B in Seismic Engineering Guidelines OPM-0052-13.

**Note:** Match B3088T part number with dimension 'D' from B3092, and B3093 charts.



**Note:** See Pipe Hangers & Supports catalog for attachments

Part No.	Plate Size		Stand Pipe Size		A		Dia. H		TL	
	in.	(mm)	in.	(mm)	in.	(mm)	in.	(mm)	in.	(mm)
B3088T-1	1/4" x 6" x 6"	(6.3 x 152.4 x 152.4)	1"	(25)	7/8"	(22.2)	3/4"	(19.0)	1 1/2"	(38.1)
B3088T-1 1/4	1/4" x 6" x 6"	(6.3 x 152.4 x 152.4)	1 1/4"	(32)	7/8"	(22.2)	3/4"	(19.0)	1 1/2"	(38.1)
B3088T-1 1/2	1/4" x 6" x 6"	(6.3 x 152.4 x 152.4)	1 1/2"	(40)	7/8"	(22.2)	3/4"	(19.0)	1 1/2"	(38.1)
B3088T-2	1/4" x 6" x 6"	(6.3 x 152.4 x 152.4)	2"	(50)	7/8"	(22.2)	3/4"	(19.0)	1 1/2"	(38.1)
B3088T-2 1/2	3/8" x 8" x 8"	(9.5 x 203.2 x 203.2)	2 1/2"	(65)	1 1/4"	(31.7)	13/16"	(20.6)	1 1/2"	(38.1)
B3088T-3	3/8" x 12" x 12"	(9.5 x 304.8 x 304.8)	3"	(80)	1 1/2"	(38.1)	13/16"	(20.6)	1 1/2"	(38.1)
B3088T-4	1/2" x 12" x 12"	(12.7 x 304.8 x 304.8)	4"	(100)	1 1/2"	(38.1)	15/16"	(23.8)	2"	(50.8)

Part No.	Approx. Wt./100*	
	Lbs.	(kg)
B3088T-1	495	(224.5)
B3088T-1 1/4	583	(264.4)
B3088T-1 1/2	649	(294.4)
B3088T-2	785	(356.1)
B3088T-2 1/2	1524	(691.3)
B3088T-3	2624	(1190.2)
B3088T-4	3594	(1630.2)

\*Based on a height of 18" (457.2mm).

All dimensions in charts and on drawings are in inches. Dimensions shown in parentheses are in millimeters unless otherwise specified.