



### Description & Features:

- Reliable, small diameter, low profile gauge
- 1" (25mm) to 1.5" (40mm) sizes
- 1/8" NPT socket
- Direct drive (no linkages or hairsprings) eliminating premature failure from the gear and movement
- Safety over-pressure port on the lens
- "Use No Oil" for use in oxygen service
- ASME B40.100 compliant
- CRN registered
- UL listed for 1.25" and 1.5" gauges
- 5 year warranty

### Applications:

- Commonly used on portable pneumatic equipment such as compressors, hand-held sprayers, pressurized recreational guns, oxygen tanks and regulators, pumps and fire extinguishers



### 1.25" (32mm) and 1.5" (40mm)

**UL252A** Recognized - Low pressures up to 1,000 psi, Listing No. MH25761

**UL404** Listed - High pressures - 0 to 3,000 psi, Listing No. SA12053

Note: Non-UL Listed PSP gauges also available

### Specifications

<b>Dial</b>	1" (25mm), 1.125" (30mm), 1.25" (32mm) or 1.5" (40mm) white aluminum with black markings
<b>Case</b>	1" (25mm): Nickel plated brass Others: 304 SS
<b>Lens</b>	Plexiglass
<b>Spiral/Socket</b>	60 to 2,000 psi: Brass 3,000 psi and above: 304 SS
<b>Connection</b>	1/8" NPT standard, back
<b>Pointer</b>	2,000 psi and below: Brass 3,000 psi and above: 304 SS
<b>Over-pressure Limit</b>	10% of full scale value 25% of full scale value (0-3,000 psi, UL404 listed)
<b>Working Pressure</b>	Maximum 75% of full scale value
<b>Ambient/Process Temperature</b>	-40°F to 150°F (-40°C to 65°C)
<b>Accuracy</b>	±3-2-3% ANSI/ASME Grade B
<b>Enclosure Rating</b>	IP65
<b>Warning (brass internals only)</b>	<b>WARNING:</b> This product can expose you to chemicals including lead, which is known to the State of California to cause cancer and birth defects or other reproductive harm. For more information go to <a href="http://www.P65Warnings.ca.gov">www.P65Warnings.ca.gov</a> .

### Order Codes\*

Dial Size	1" (25mm)	1.125" (30mm)	1.25" (32mm)	1.5" (40mm)
0/60 psi	-	PSP115060	PSP125060	PSP150060
0/100 psi	PSP10100	PSP1150100	PSP1250100	PSP1500100
0/160 psi	PSP10160	PSP1150160	PSP1250160	PSP1500160
0/200 psi	PSP10200	PSP1150200	PSP1250200	PSP1500200
0/300 psi	PSP10300	PSP1150300	PSP1250300	PSP1500300
0/600 psi	PSP10600	PSP1150600	PSP1250600	PSP1500600
0/1,000 psi	PSP101000	PSP11501000	PSP12501000	PSP15001000
0/1,500 psi	PSP101500	PSP11501500	PSP12501500	PSP15001500
0/2,000 psi	PSP102000	PSP11502000	PSP12502000	PSP15002000
0/3,000 psi	PSP103000	PSP11503000	PSP12503000	PSP15003000
0/4,000 psi	PSP104000	PSP11504000	PSP12504000	PSP15004000
0/5,000 psi	PSP105000	PSP11505000	PSP12505000	PSP15005000

Other ranges and connection sizes available upon request. For scale change, refer to How to Order Guide for scale codes.

For options, attach suffix to end of order code: i.e. **PSP15001500-1.5BOOT** for 1.5" PROTECTIVE BOOT

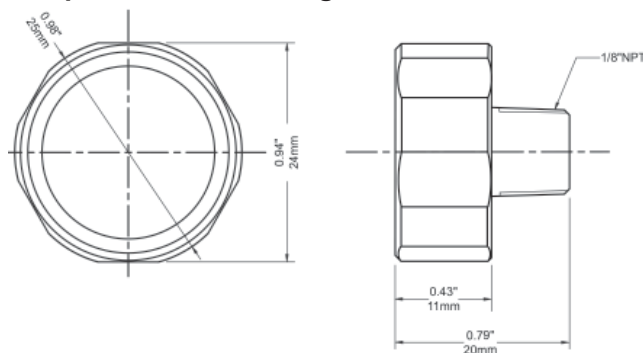
#### Option suffix:

1.25BOOT = 1.25" (32mm) Protective rubber boot

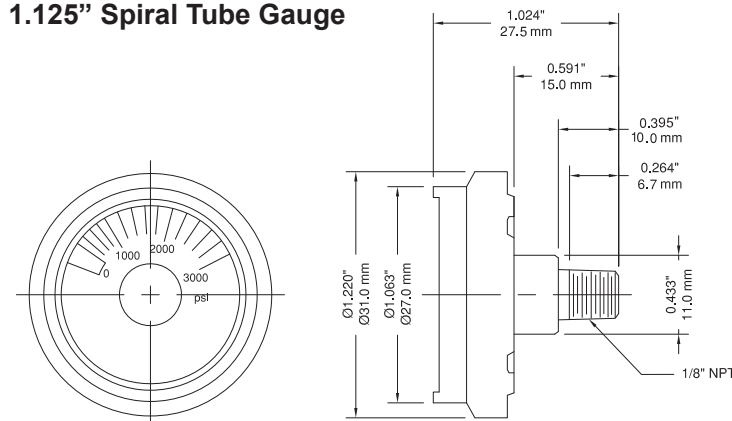
1.5BOOT = 1.5" (40mm) Protective rubber boot

\*Minimum order quantity required

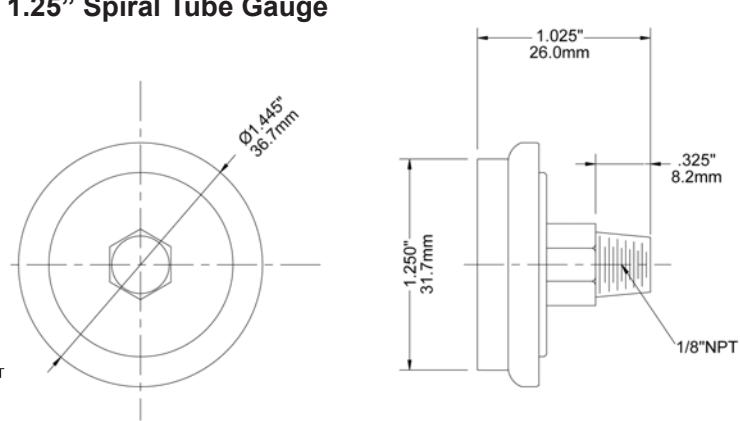
### 1" Spiral Hex Tube Gauge



### 1.125" Spiral Tube Gauge



### 1.25" Spiral Tube Gauge



### 1.5" Spiral Tube Gauge

