

# CPVC Clamps

## TOLCO™ Fig. 28M - Offset Hanger & Restrainer for CPVC Plastic Pipe and IPS Steel Pipe

**Size Range:** 3/4" (20mm) thru 2" (32mm)

**Material:** Steel, Pre-Galvanized

**Function:** Designed to be used as a hanger and restrainer for CPVC piping or steel piping where the "stand-off" design will ease installation by eliminating the need for wood blocking.

**Features:**

- Flared edge design protects CPVC pipe from any rough or abrasive surfaces
- Unique snap-on design holds pipe firmly in place and allows retrofit type of installation
- The "Stand-Off" design eliminates the need for wood block extension
- Can be installed on horizontal or vertical piping regardless of mounting surface orientation
- Attaches easily to wood structure with two hex head self-threading screws furnished with product
- Installs easily using rechargeable electrical driver with 5/16" (7.9mm) extension socket eliminating impact tool damage to pipe
- Attaches easily to steel, minimum 18 gauge (1.024mm) with (2) 1/4" x 1" tek type self drilling tapping screws
- **(cULus)** Listed as a hanger and a restrainer for fire sprinkler piping

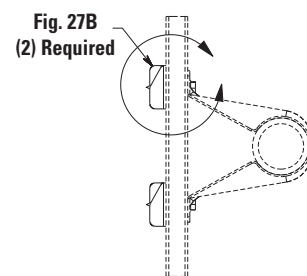
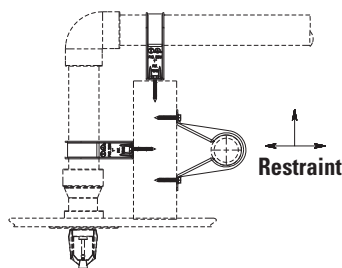
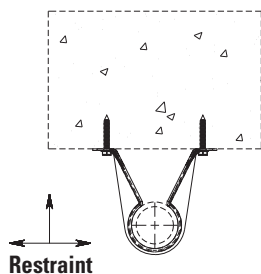
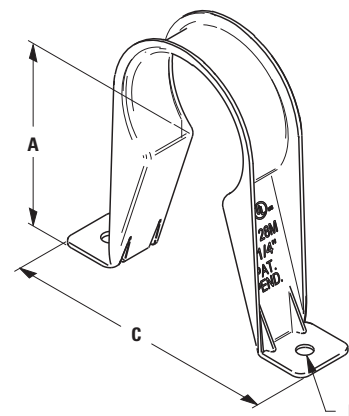
**Installation Note:** When installed in wood structural members and threads from the #10 x 1" screws are exposed, use Fig. 27B (page 36) speed nut to secure

**Approvals:** Underwriters Laboratory Listed in the USA (UL) and Canada (cUL)

to support automatic fire sprinkler systems. May be installed into wood using fasteners screws. Meets and exceeds the requirements of NFPA 13, 13R and 13D. Fig. 28M satisfies the UL vertical restraint requirements where needed.

**Order By:** Figure number and pipe size

Patent #7,744,042



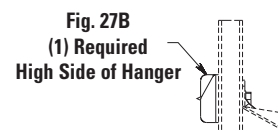
**Hanger and Restraint Application**

Part No.	CPVC Pipe Size		A	Hole Dia. B	C	Max Spacing*	Approx. Wt./100	
	in.	(mm)					in.	(mm)
28M-3/4	3/4"	(20)	2"	3/16"	3 5/16"	5'-6"	9	(4.1)
28M-1	1"	(25)	2 1/8"	3/16"	3 1/2"	6'-0"	12	(5.4)
28M-1 1/4	1 1/4"	(32)	2 5/16"	3/16"	3 1/2"	6'-6"	13	(5.9)
28M-1 1/2	1 1/2"	(49)	2 7/16"	3/16"	3 7/8"	7'-0"	14	(6.3)
28M-2	2"	(50)	2 5/8"	3/16"	4 7/16"	8'-0"	15	(6.8)

\* Required per NFPA 13 for CPVC plastic pipe

**Reduced Spacing For IPS Pipe**

Part No.	IPS Pipe Size	Max. Hanger Spacing
	in. (mm)	
28-3/4	3/4" (20)	1'-9" (1.67)
28-1	1" (25)	1'-10" (1.83)
28-1 1/4	1 1/4" (32)	2-4" (1.98)
28-1 1/2	1 1/2" (40)	2-9" (2.13)
28-2	2" (50)	3-6" (2.44)



**Detail A Hanger Application**

All dimensions in charts and on drawings are in inches. Dimensions shown in parentheses are in millimeters unless otherwise specified.