

## B3067 - Welded Bracket - Heavy Duty

**Max. Recommended Load:** 3000 lbs. (13.34kN)

**Material:** Steel

**Function:** Recommended for supporting pipe on top or hanging through support bracket outward from mounting surface.

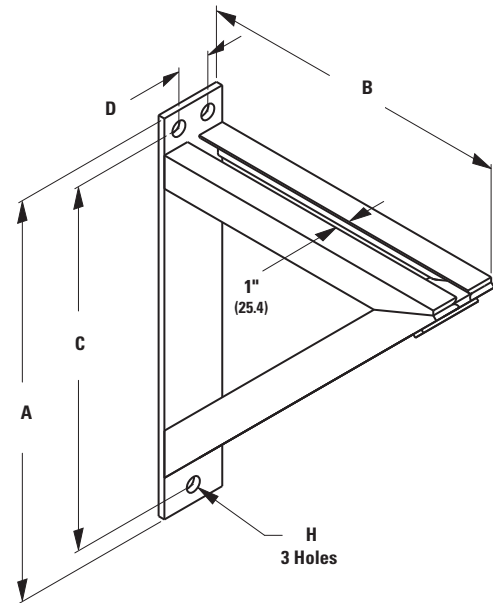
**Approvals:** Conforms to Federal Specification WW-H-171E & A-A-1192A, Type 33 and Manufacturers Standardization Society ANSI/MSS SP-69 & SP-58, Type 33.

**Finish:** Plain or Electro-Galvanized. Contact customer service for alternative finishes and materials.

**Order By:** Part number and finish



**B3067-0  
Shown**



Only one hole in top for B3067-0

Part No.	Mtg. Hole H		A		B		C		D	
	in.	(mm)	in.	(mm)	in.	(mm)	in.	(mm)	in.	(mm)
<b>B3067-0</b>	1 <sup>1</sup> / <sub>8</sub> "	(28.6)	18"	(457.2)	12"	(304.8)	15 <sup>1</sup> / <sub>4</sub> "	(387.3)	**	**
<b>B3067-1</b>	1 <sup>1</sup> / <sub>8</sub> "	(28.6)	24"	(609.6)	18"	(457.2)	21 <sup>1</sup> / <sub>4</sub> "	(539.7)	2 <sup>1</sup> / <sub>2</sub> "	(63.5)
<b>B3067-2</b>	1 <sup>1</sup> / <sub>8</sub> "	(28.6)	30"	(762.0)	24"	(609.6)	27 <sup>1</sup> / <sub>4</sub> "	(692.1)	2 <sup>1</sup> / <sub>2</sub> "	(63.5)
<b>B3067-3</b>	1 <sup>1</sup> / <sub>8</sub> "	(28.6)	36"	(914.4)	30"	(762.0)	33"	(838.2)	2 <sup>1</sup> / <sub>2</sub> "	(63.5)
<b>B3067-4</b>	1 <sup>1</sup> / <sub>8</sub> "	(28.6)	42"	(1066.8)	36"	(914.4)	39"	(990.6)	3 <sup>1</sup> / <sub>2</sub> "	(88.9)
<b>B3067-5</b>	1 <sup>1</sup> / <sub>8</sub> "	(28.6)	50"	(1270.0)	42"	(1066.8)	46"	(1168.4)	3 <sup>1</sup> / <sub>2</sub> "	(88.9)

\*\* One Hole

Part No.	Design Load *		Approx. Wt./100	
	Lbs.	(kN)	Lbs.	(kg)
<b>B3067-0</b>	1850	(8.23)	2195	(995.6)
<b>B3067-1</b>	1850	(8.23)	4398	(1994.9)
<b>B3067-2</b>	1850	(8.23)	6294	(2854.9)
<b>B3067-3</b>	1850	(8.23)	7196	(3264.1)
<b>B3067-4</b>	1850	(8.23)	13197	(5986.2)
<b>B3067-5</b>	1850	(8.23)	15795	(7164.6)

\* Design load based on a safety factor of 5 and reduced by 250 lbs per NFPA.

All dimensions in charts and on drawings are in inches. Dimensions shown in parentheses are in millimeters unless otherwise specified.