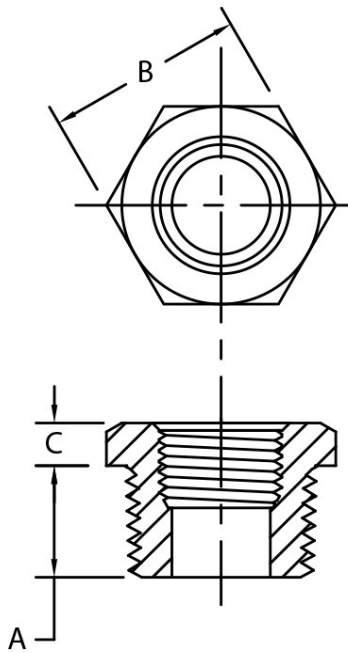
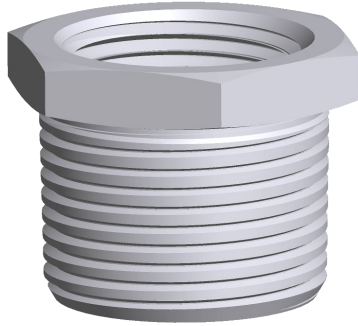


High Pressure Stainless Steel Hex Bushings Threaded



ASTM A182, F304/F304L or F316/316L, ASME B16.11, MSS SP-114, ASME B1.20.1



Pipe Size	A	B	C	Approx Weight			
1/4 x 1/8	.44	.62	.12	0.02			
3/8 x 1/8	.50	.69	.16	0.05			
3/8 x 1/4				0.03			
1/2 x 1/8	.56	.88	.19	0.11			
1/2 x 1/4				0.09			
1/2 x 3/8				0.06			
3/4 x 1/8	.62	1.06	.22	0.21			
3/4 x 1/4				0.18			
3/4 x 3/8				0.15			
3/4 x 1/2				0.10			
1 x 1/8	.75	1.38	.25	0.36			
1 x 1/4				0.33			
1 x 3/8				0.30			
1 x 1/2				0.27			
1 x 3/4				0.19			
1-1/4 x 1/8				.81	1.75	.28	0.79
1-1/4 x 1/4	0.76						
1-1/4 x 3/8	0.73						
1-1/4 x 1/2	0.68						
1-1/4 x 3/4	0.64						
1-1/4 x 1	0.60						
1-1/2 x 1/8	.81	2.00	.31				1.08
1-1/2 x 1/4							1.01
1-1/2 x 3/8				0.83			
1-1/2 x 1/2				0.93			
1-1/2 x 3/4				0.84			
1-1/2 x 1				0.80			
1-1/2 x 1-1/4				0.75			
2 x 1/8				.88	2.50	.34	1.88
2 x 1/4							1.84
2 x 3/8							1.80
2 x 1/2	1.74						
2 x 3/4	1.63						
2 x 1	1.55						
2 x 1-1/4	1.50						
2 x 1-1/2	1.45						
2-1/2 x 1/8	1.06	3.00	.38				
2-1/2 x 1/4				3.75			
2-1/2 x 3/8				3.50			
2-1/2 x 1/2				3.25			
2-1/2 x 3/4				3.00			
2-1/2 x 1				2.75			
2-1/2 x 1-1/4				2.25			
2-1/2 x 1-1/2				2.00			
2-1/2 x 2				1.13			
3 x 1/8				1.12	3.50	.41	
3 x 1/4	5.50						
3 x 3/8							
3 x 1/2	5.00						
3 x 3/4	4.75						
3 x 1	4.50						
3 x 1-1/4	4.13						
3 x 1-1/2	3.63						
3 x 2	2.75						
3 x 2-1/2	2.13						
4 x 1/8	1.25	4.62	.50				
4 x 1/4				9.00			
4 x 3/8							
4 x 1/2				9.00			
4 x 3/4				9.00			
4 x 1				9.00			
4 x 1-1/4				9.00			
4 x 1-1/2				8.12			
4 x 2				7.00			
4 x 2-1/2				6.75			
4 x 3	4.50						