

## B3068 - Welded Bracket - Light Duty

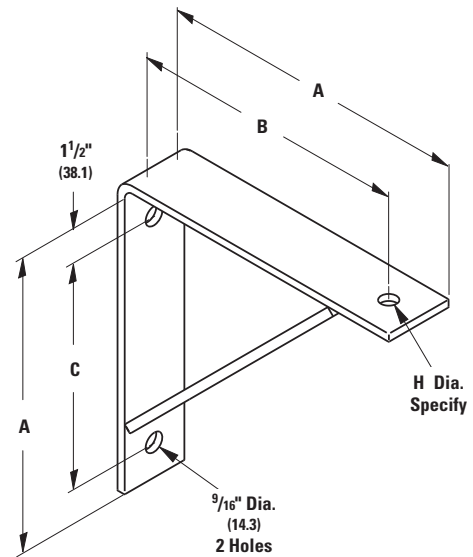
**Material:** Steel

**Function:** Recommended for suspending pipe outward from mounting surface.

**Approvals:** Conforms to Federal Specification WW-H-171E & A-A-1192A, Type 32 and Manufacturers Standardization Society ANSI/MSS SP-69 & SP-58, Type 31.

**Finish:** Plain or Electro-Galvanized. Contact customer service for alternative finishes and materials.

**Order By:** Part number, hole size 'H', and finish



Part No.	A		B		C		H Dia.		Design Load *	Approx. Wt./100
	in.	(mm)	in.	(mm)	in.	(mm)	in.	(mm)		
B3068-1	9"	(228.6)	8"	(203.2)	6 1/2"	(165.1)	Specify	(Specify)	275 (1.22)	360 (163.3)
B3068-2	13"	(330.2)	12"	(304.8)	10 1/2"	(266.7)	Specify	(Specify)	275 (1.22)	582 (264.0)
B3068-3	19"	(482.6)	18"	(457.2)	16 1/2"	(419.1)	Specify	(Specify)	275 (1.22)	860 (390.1)

\* Design load based on a safety factor of 5 and reduced by 250 lbs per NFPA.

## B3065 - Welded Bracket - Light Duty

**Max. Recommended Load:** 275 lbs. (1.22kN)

**Material:** Steel

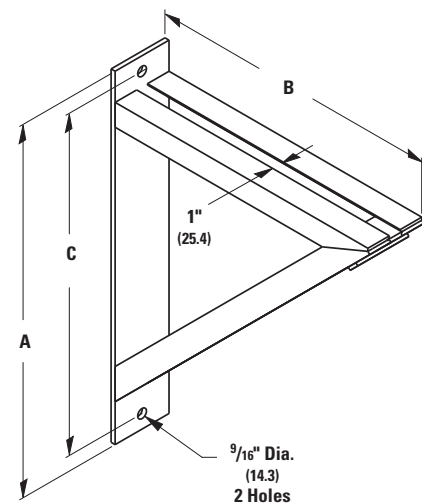
**Function:** Recommended for supporting pipe on top or hanging through support bracket outward from mounting surface.

**Approvals:** Conforms to Federal Specification WW-H-171E & A-A-1192A, Type 32 and Manufacturers Standardization Society ANSI/MSS SP-69 & SP-58, Type 31.

**Finish:** Plain

**Note:** Available in Electro-Galvanized and HDG finish or Stainless Steel materials.

**Order By:** Figure number and finish



Part No.	A		B		C		Design Load *		Approx. Wt./100	
	in.	(mm)	in.	(mm)	in.	(mm)	Lbs.	(kN)	Lbs.	(kg)
B3065-1	13"	(330.2)	9"	(228.6)	11 1/2"	(292.1)	275	(1.22)	571	(259.0)
B3065-2	17"	(431.8)	13"	(330.2)	15 1/2"	(393.7)	275	(1.22)	769	(348.8)
B3065-3	23"	(584.2)	19"	(482.6)	21 1/2"	(546.1)	275	(1.22)	1057	(479.4)

\* Design load based on a safety factor of 5 and reduced by 250 lbs per NFPA.

All dimensions in charts and on drawings are in inches. Dimensions shown in parentheses are in millimeters unless otherwise specified.