

Brackets

B3069W - Welded Knee Bracket

Size Range: 1/2" (15mm) thru 8" (200mm) pipe

Material: Steel

Function: Recommended for suspending pipe outward from mounting surface.

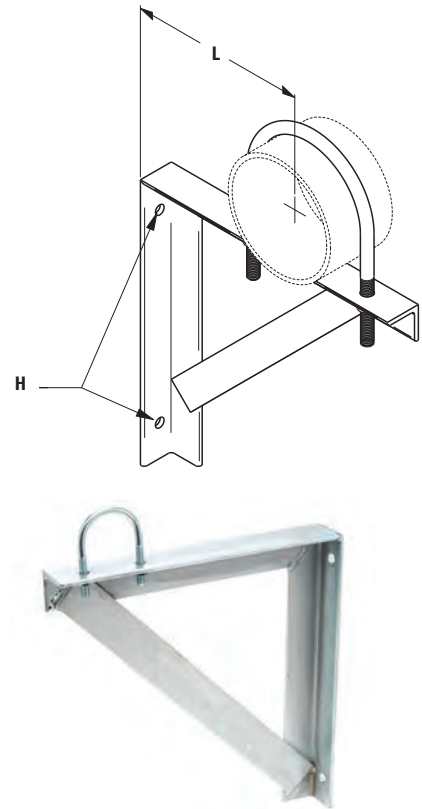
Finish: Plain or Electro-Galvanized. Contact customer service for alternative finishes and materials.

Note: Maximum "L" dimension 16" (406.4mm).

Order By: Figure number, pipe size, (**) "L" dimension and finish

Part No.	Pipe Size		Hole Size H		Max. Rec. Load ***
	in.	(mm)	in.	(mm)	
B3069W-1/2-**	1/2"	(15)	9/16"	(14.3)	450 (2.00)
B3069W-3/4-**	3/4"	(20)	9/16"	(14.3)	450 (2.00)
B3069W-1-**	1"	(25)	9/16"	(14.3)	450 (2.00)
B3069W-1 1/4-**	1 1/4"	(32)	9/16"	(14.3)	450 (2.00)
B3069W-1 1/2-**	1 1/2"	(40)	9/16"	(14.3)	450 (2.00)
B3069W-2-**	2"	(50)	9/16"	(14.3)	450 (2.00)
B3069W-2 1/2-**	2 1/2"	(65)	9/16"	(14.3)	450 (2.00)
B3069W-3-**	3"	(80)	9/16"	(14.3)	450 (2.00)
B3069W-3 1/2-**	3 1/2"	(90)	9/16"	(14.3)	450 (2.00)
B3069W-4-**	4"	(100)	1 1/16"	(17.5)	450 (2.00)
B3069W-5-**	5"	(125)	1 1/16"	(17.5)	450 (2.00)
B3069W-6-**	6"	(150)	1 1/16"	(17.5)	450 (2.00)
B3069W-8-**	8"	(200)	1 1/16"	(17.5)	450 (2.00)

*** Load based on a safety factor of 5 and reduced by 250 lbs per NFPA.



** Length to be specified as shown on the drawing.

B3069E - "O" Bracket

Size Range: 1/2" (15mm) thru 8" (200mm) pipe

Material: Carbon Steel

Function: Recommended for suspending pipe outward from mounting surface.

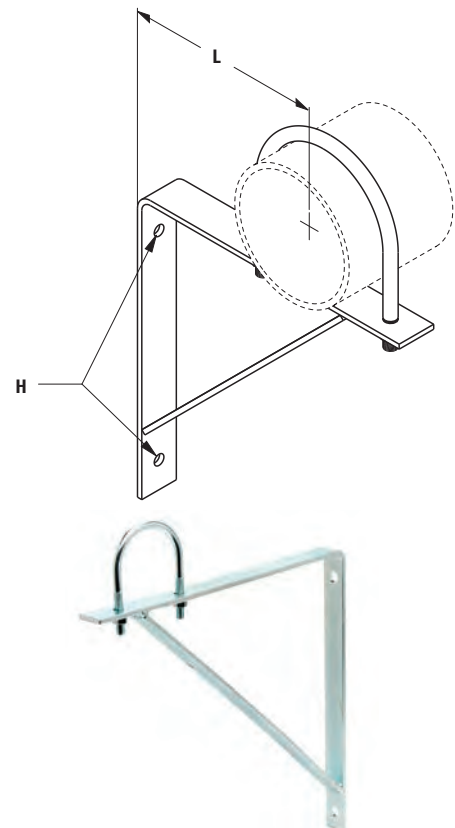
Finish: Plain or Electro-Galvanized. Contact customer service for alternative finishes and materials.

Note: Maximum "L" dimension 16" (406.4mm).

Order By: Figure number, pipe size, (**) "L" dimension and finish

Part No.	Pipe Size		Hole Size H		Max. Rec. Load ***
	in.	(mm)	in.	(mm)	
B3069E-1/2-**	1/2"	(15)	9/16"	(14.3)	65 (0.29)
B3069E-3/4-**	3/4"	(20)	9/16"	(14.3)	65 (0.29)
B3069E-1-**	1"	(25)	9/16"	(14.3)	65 (0.29)
B3069E-1 1/4-**	1 1/4"	(32)	9/16"	(14.3)	65 (0.29)
B3069E-1 1/2-**	1 1/2"	(40)	9/16"	(14.3)	65 (0.29)
B3069E-2-**	2"	(50)	9/16"	(14.3)	65 (0.29)
B3069E-2 1/2-**	2 1/2"	(65)	9/16"	(14.3)	65 (0.29)
B3069E-3-**	3"	(80)	9/16"	(14.3)	65 (0.29)
B3069E-3 1/2-**	3 1/2"	(90)	9/16"	(14.3)	65 (0.29)
B3069E-4-**	4"	(100)	1 1/16"	(17.5)	65 (0.29)
B3069E-5-**	5"	(125)	1 1/16"	(17.5)	65 (0.29)
B3069E-6-**	6"	(150)	1 1/16"	(17.5)	65 (0.29)
B3069E-8-**	8"	(200)	1 1/16"	(17.5)	65 (0.29)

*** Load based on a safety factor of 5 and reduced by 250 lbs per NFPA.



** Length to be specified as shown on the drawing.

All dimensions in charts and on drawings are in inches. Dimensions shown in parentheses are in millimeters unless otherwise specified.