



Description & Features:

- Designed for continuous level measurement in water or wastewater (thin film)
- Good linearity for long term stability
- Available ranges up to 300 psi
- Wide range of mechanical and electrical connections
- ±0.5% accuracy
- NEMA 6P / IP68. Approved for outdoor use
- Customizable
- 5 year warranty

Applications:

- Appropriate for all level and depth measurement applications including open tanks, ground water monitoring, sewage and water treatment facilities

Specifications

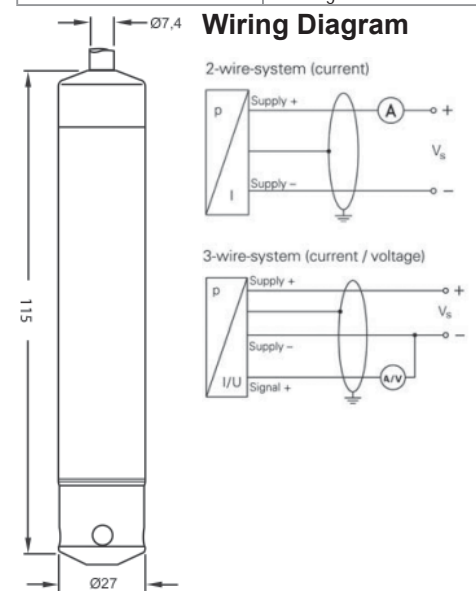
| | |
|------------------------------------|---|
| Output Signal | Standard 2-wire: 4-20 mA / Vs = 8-32 Vdc Optional 3-wire: 0-20 mA / Vs = 14-30 Vdc 0-10 V / Vs = 14-30 Vdc |
| Accuracy | ≤±0.5% FSO |
| Permissible Load | Current 2-wire: Rmax = [(Vs - Vs min) / 0.02] Ohm Current 3-wire: Rmax = 500 Ohm Voltage 3-wire: Rmin = 10 kOhm |
| Influence Effects | Supply: 0.05% FSO / 10 V Load: 0.05% FSO / kOhm |
| Response Time | ≤10 ms |
| Thermal Error | ≤±0.2% FSO / 10K |
| Permissible Temperatures | Medium: 14°F to 158°F (-10°C to 70°C) Storage: -13°F to 158°F (-25°C to 70°C) |
| Short Circuit Protection | Permanent |
| Reverse Polarity Protection | No damage. No function. |
| Electromagnetic Protection | Emission and immunity according to EN 61326 |
| Connecting Cables | Cable capacitance: Signal line/shield and signal line/ signal line: 160 pF/m Cable inductance: Signal line/shield and signal line/ signal line: 1 μH/m |
| Electrical Connection | Cable with sheath material: PVC grey, PUR black, FEP black |
| Pollution Degree | 4, electrical equipment for outdoor use |
| Housing | 316L SS |
| Seals | FKM / EPDM |
| Diaphragm | Ceramic Al ₂ O ₃ 96% |
| Protection Cap | POM |
| Current Consumption | Current: 25 mA max Voltage: 7 mA max |
| Weight | 250 g (without cable) |
| Enclosure Rating | NEMA 6P / IP68 |
| CE Conformity | EMC directive: 2004/108/EC |

Order Codes

| Range | Over-pressure | Burst Pressure | Code |
|-----------|---------------|----------------|--------|
| 0/8 psi | 9 psi | 58 psi | LM7008 |
| 0/15 psi | 29 psi | 58 psi | LM7015 |
| 0/20 psi | 58 psi | 73 psi | LM7020 |
| 0/35 psi | 58 psi | 73 psi | LM7035 |
| 0/60 psi | 145 psi | 174 psi | LM7060 |
| 0/100 psi | 145 psi | 174 psi | LM7100 |
| 0/160 psi | 290 psi | 363 psi | LM7160 |
| 0/200 psi | 580 psi | 725 psi | LM7200 |
| 0/300 psi | 580 psi | 725 psi | LM7300 |

Pin Configuration

| Electrical Connection | Cable Colours (DIN 47100) |
|------------------------|---------------------------|
| Supply + | White |
| Supply - | Brown |
| Signal + (only 3-wire) | Green |
| Shield | Yellow/green |



Note: Measurements are in mm. Cable not included (specify type and length)