




Description & Features:

- Brass or stainless steel wetted parts
- Both conventional and balanced scale available
- ASME B40.100 compliant
- CRN registered
- 5 year warranty

Applications:

- Single pointer to show difference from two pressure sources
- Typically used to measure pressure drops across a filter, pump or other equipment

Specifications

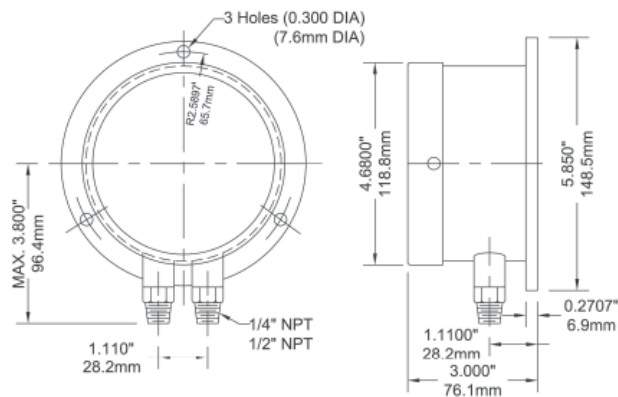
Dial	4.5" (115mm), 6" (150mm) white aluminum with black markings
Case	Aluminum, painted black
Front Flange	SS
Back Flange	Black steel
Lens	Glass
Ring	4.5" (115mm): SS 6" (150mm): Aluminum
Socket	Brass or 316 SS
Connections	1/4" NPT standard
Scale	PSID only
Bourdon Tubes	Phosphor bronze or AISI 316 SS, independent, matched
Movement	Brass
Pointer	Aluminum (micrometer)
Welding	Tin/copper alloy for brass internals, TIG argonarc for SS internals
Over-pressure Limit	30% of full scale value
Working Pressure	Maximum 75% of full scale value
Ambient/Process Temperature	-40°F to 150°F (-40°C to 65°C)
Accuracy	±1% ANSI/ASME Grade 1A
Warning (brass internals only)	 WARNING: This product can expose you to chemicals including lead, which is known to the State of California to cause cancer and birth defects or other reproductive harm. For more information go to www.P65Warnings.ca.gov .

Order Codes (products in italics are normally available in 3 - 5 days)

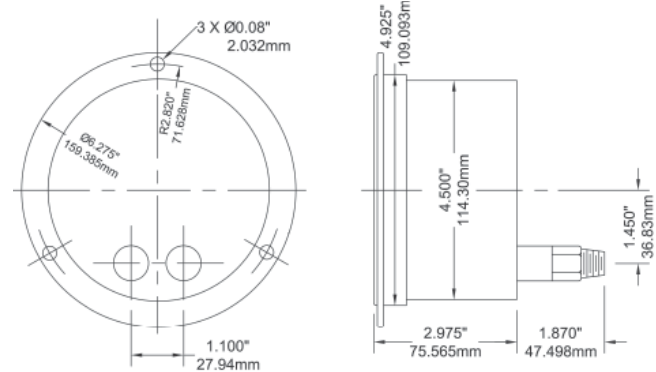
Dial Size	Max. Static Pressure	4.5" (115mm)				6" (150mm)			
Connection		1/4" Bottom	1/4" Back (LB)	1/4" Bottom	1/4" Back (LB)	1/4" Bottom	1/4" Back (LB)	1/4" Bottom	1/4" Back (LB)
Socket, Tube		Brass		SS		Brass		SS	
0/15 psi	22 psi	<i>PDT8051</i>	<i>PDT8051B</i>	<i>PDT8061</i>	<i>PDT8061B</i>	<i>PDT8071</i>	<i>PDT8071B</i>	<i>PDT8081</i>	<i>PDT8081B</i>
0/30 psi	45 psi	<i>PDT8052</i>	<i>PDT8052B</i>	<i>PDT8062</i>	<i>PDT8062B</i>	<i>PDT8072</i>	<i>PDT8072B</i>	<i>PDT8082</i>	<i>PDT8082B</i>
0/60 psi	90 psi	<i>PDT8053</i>	<i>PDT8053B</i>	<i>PDT8063</i>	<i>PDT8063B</i>	<i>PDT8073</i>	<i>PDT8073B</i>	<i>PDT8083</i>	<i>PDT8083B</i>
0/100 psi	150 psi	<i>PDT8054</i>	<i>PDT8054B</i>	<i>PDT8064</i>	<i>PDT8064B</i>	<i>PDT8074</i>	<i>PDT8074B</i>	<i>PDT8084</i>	<i>PDT8084B</i>
0/160 psi	240 psi	<i>PDT8055</i>	<i>PDT8055B</i>	<i>PDT8065</i>	<i>PDT8065B</i>	<i>PDT8075</i>	<i>PDT8075B</i>	<i>PDT8085</i>	<i>PDT8085B</i>
0/200 psi	300 psi	<i>PDT8056</i>	<i>PDT8056B</i>	<i>PDT8066</i>	<i>PDT8066B</i>	<i>PDT8076</i>	<i>PDT8076B</i>	<i>PDT8086</i>	<i>PDT8086B</i>
0/300 psi	450 psi	<i>PDT8057</i>	<i>PDT8057B</i>	<i>PDT8067</i>	<i>PDT8067B</i>	<i>PDT8077</i>	<i>PDT8077B</i>	<i>PDT8087</i>	<i>PDT8087B</i>
0/600 psi	900 psi	<i>PDT8058</i>	<i>PDT8058B</i>	<i>PDT8068</i>	<i>PDT8068B</i>	<i>PDT8078</i>	<i>PDT8078B</i>	<i>PDT8088</i>	<i>PDT8088B</i>

Other ranges and connection sizes available upon request. For scale change, refer to How to Order Guide for scale codes. Bi-directional or zero positioned at 12 o'clock on dial is available. Low Differential Pressure/High Static Pressure gauges are also available (PPD, PRD, PSD and PVD Series).

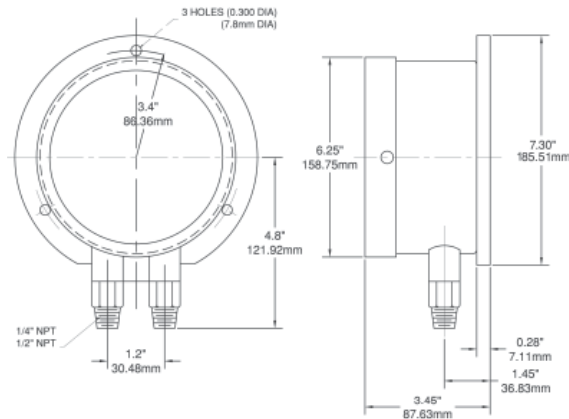
4.5" Bottom Connection



4.5" Back Connection



6" Bottom Connection



6" Back Connection

