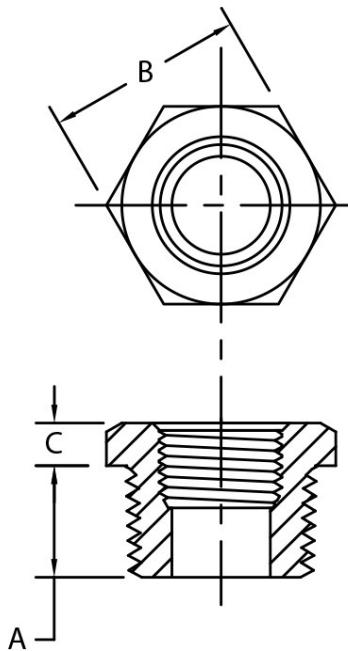
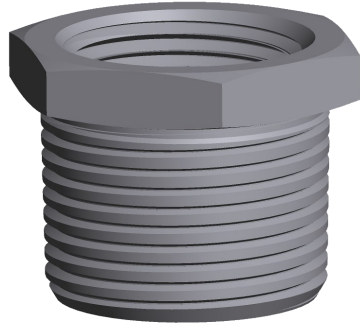


# Forged Steel Hex Bushings Threaded

ASTM A105, ASME B16.11, ASME B1.20.1



Pipe Size	A	B	C	Approx Weight
1/4 x 1/8	.44	.62	.12	0.02
3/8 x 1/8				0.05
3/8 x 1/4	.50	.69	.16	0.03
1/2 x 1/8				0.11
1/2 x 1/4	.56	.88	.19	0.09
1/2 x 3/8				0.06
3/4 x 1/8				0.21
3/4 x 1/4	.62	1.06	.22	0.18
3/4 x 3/8				0.15
3/4 x 1/2				0.10
1 x 1/8				0.36
1 x 1/4	.75	1.38	.25	0.33
1 x 3/8				0.30
1 x 1/2				0.27
1 x 3/4				0.19
1-1/4 x 1/8				0.79
1-1/4 x 1/4	.81	1.75	.28	0.76
1-1/4 x 3/8				0.73
1-1/4 x 1/2				0.68
1-1/4 x 3/4				0.64
1-1/4 x 1				0.60
1-1/2 x 1/8				1.08
1-1/2 x 1/4	.81	2.00	.31	1.01
1-1/2 x 3/8				0.83
1-1/2 x 1/2				0.93
1-1/2 x 3/4				0.84
1-1/2 x 1				0.80
1-1/2 x 1-1/4				0.75
2 x 1/8				1.88
2 x 1/4	.88	2.50	.34	1.84
2 x 3/8				1.80
2 x 1/2				1.74
2 x 3/4				1.63
2 x 1				1.55
2 x 1-1/4				1.50
2 x 1-1/2				1.45
2-1/2 x 1/8				-
2-1/2 x 1/4	1.125	3.00	0.5	3.75
2-1/2 x 3/8				3.50
2-1/2 x 1/2				3.25
2-1/2 x 3/4				3.00
2-1/2 x 1				2.75
2-1/2 x 1-1/4				2.25
2-1/2 x 1-1/2				2.00
2-1/2 x 2				1.13
3 x 1/8				-
3 x 1/4				5.50
3 x 3/8				-
3 x 1/2	1.312	3.62	0.56	5.00
3 x 3/4				4.75
3 x 1				4.50
3 x 1-1/4				4.13
3 x 1-1/2				3.63
3 x 2				2.75
3 x 2-1/2				2.13
4 x 1/8				-
4 x 1/4				9.00
4 x 3/8				9.00
4 x 1/2				9.00
4 x 3/4				9.00
4 x 1	1.5	4.62	0.69	9.00
4 x 1-1/4				9.00
4 x 1-1/2				8.12
4 x 2				7.00
4 x 2-1/2				6.75
4 x 3				4.50